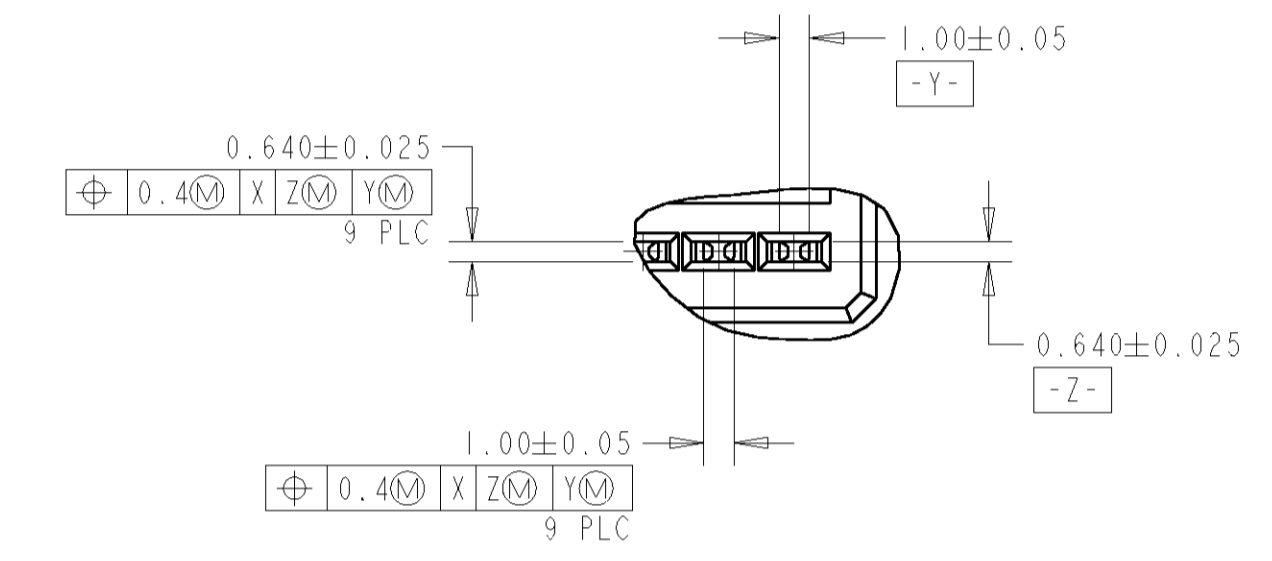
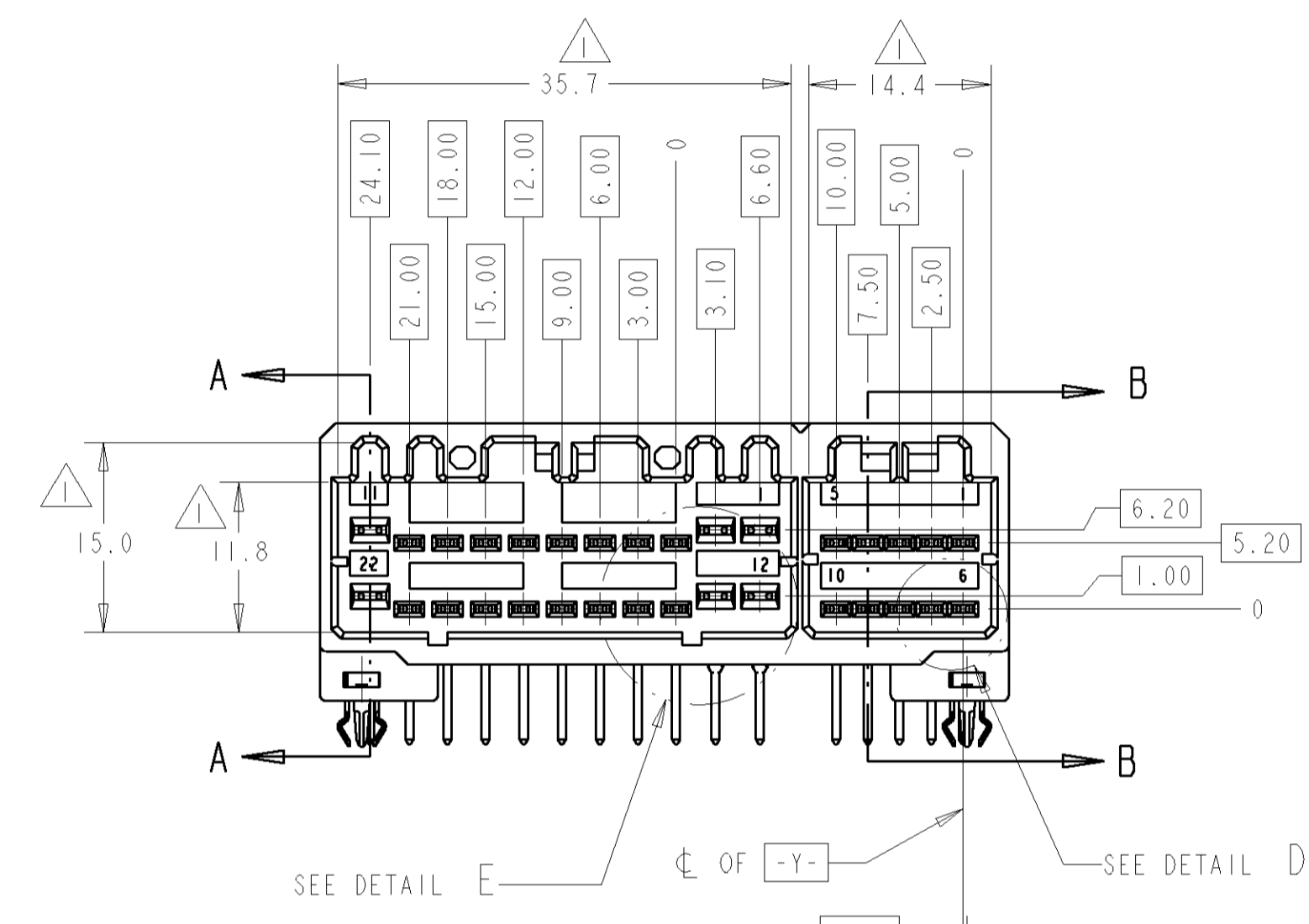
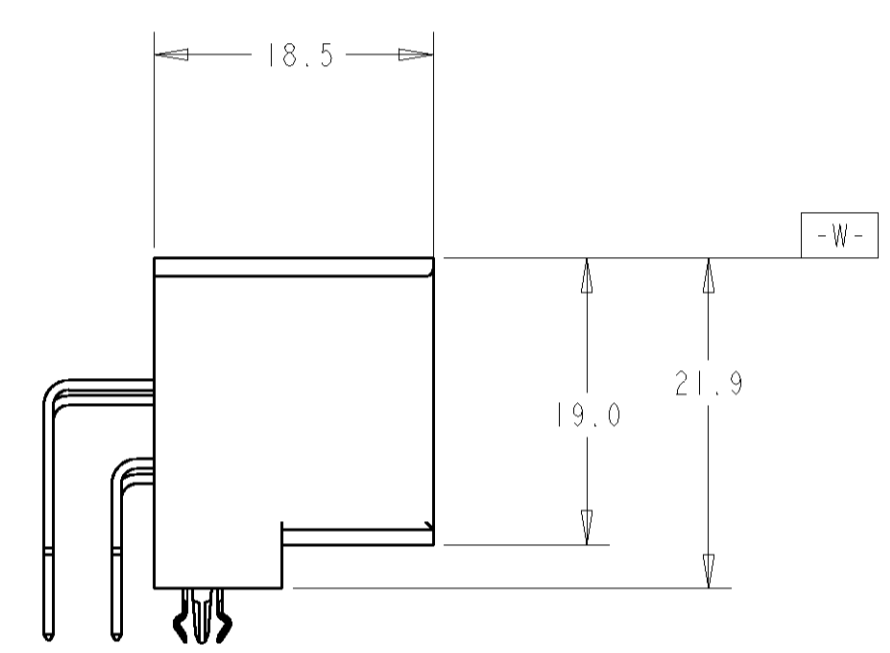
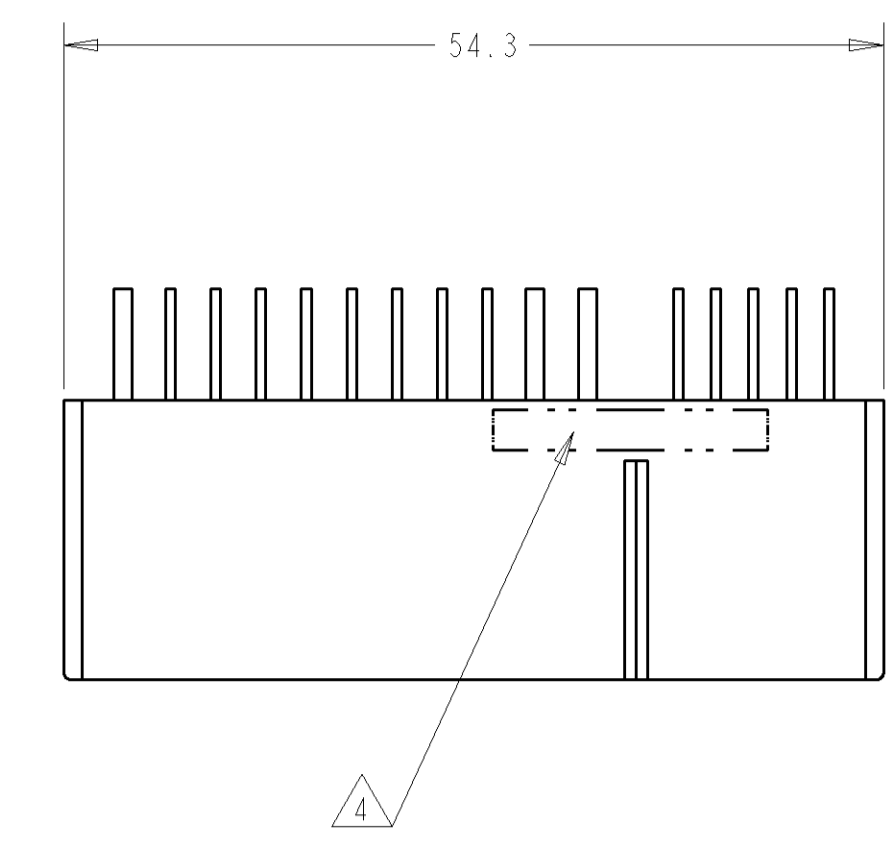
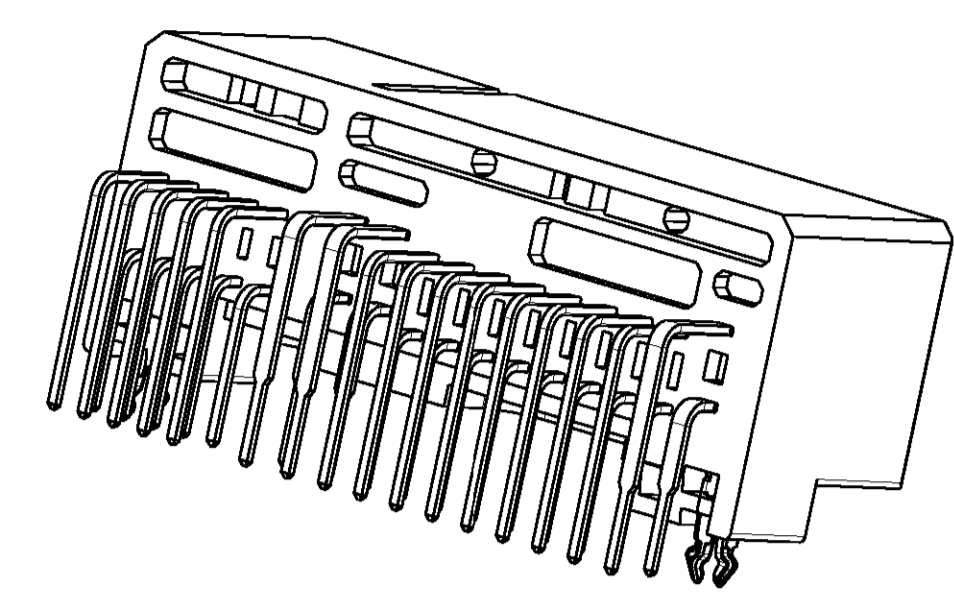
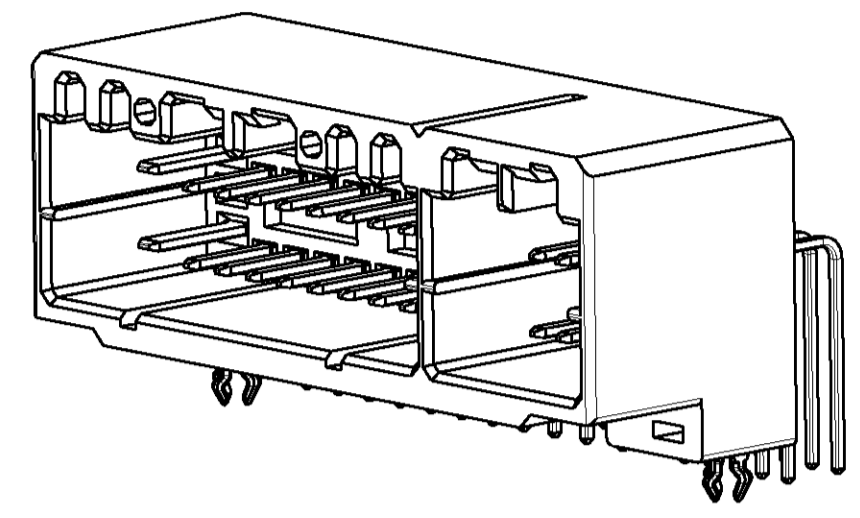
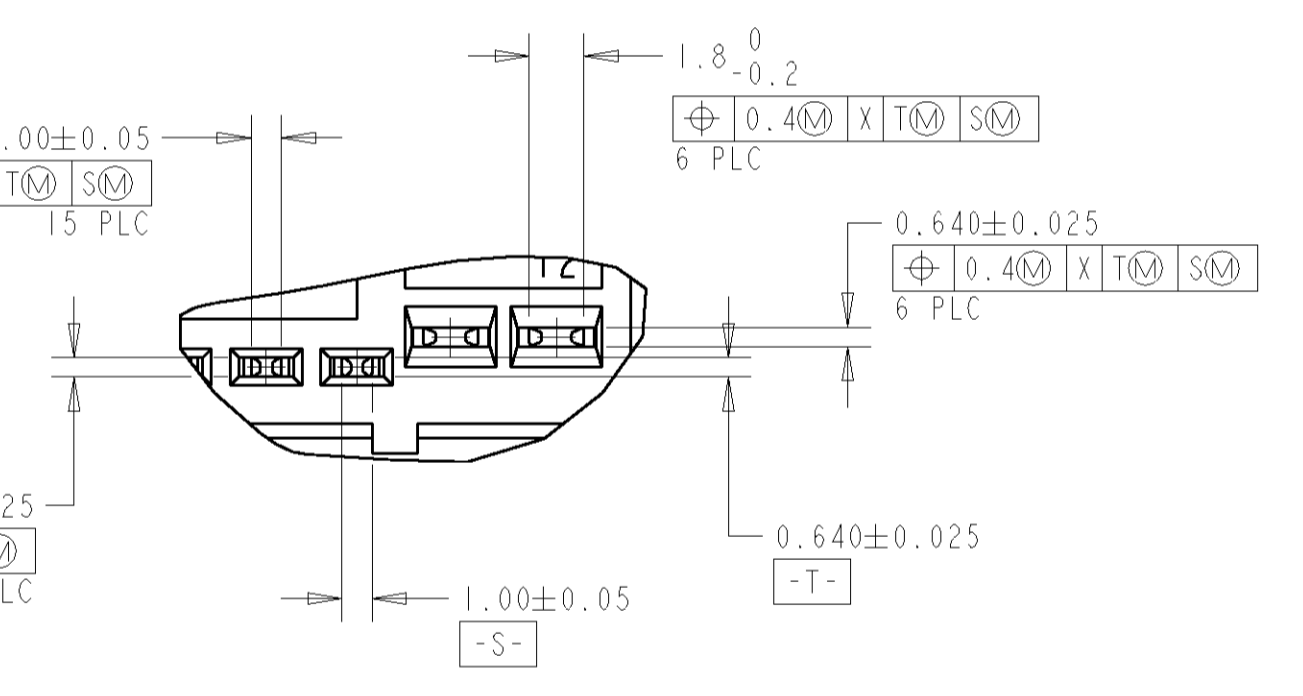


LOC	DIST	REVISIONS			
F	LTR	DESCRIPTION	DATE	DWN	APPD
0		RELEASED PER EC 0K80-0020-00	17FEB00	JRB	RAS
A		REVISED PER EC 0K80-0109-00	26APR2000	JRB	RAS
A1		REVISED PER EC 0K80-0171-04	12MAR2004	DLD	RMC

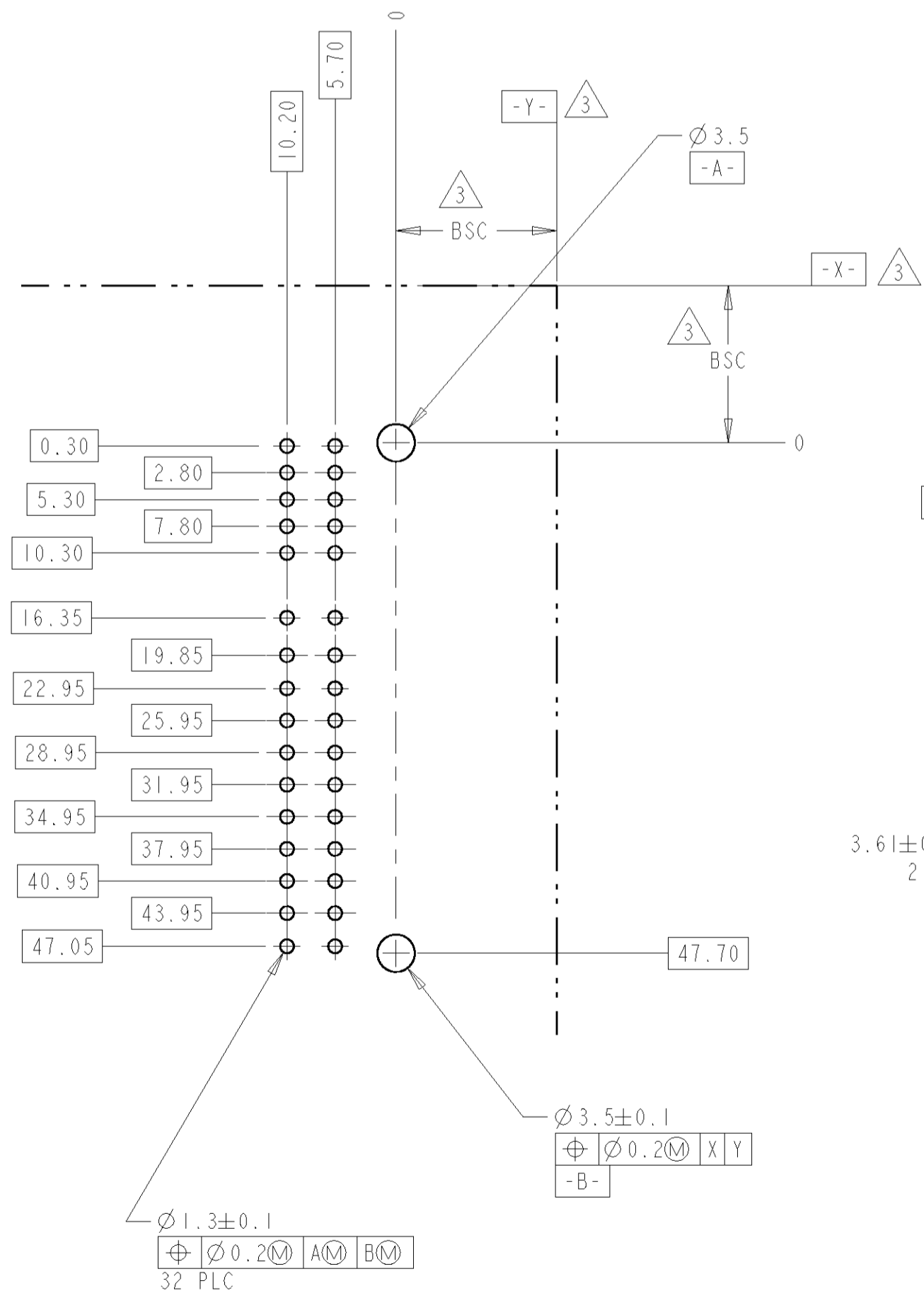
- 1. DIMENSION MUST BE HELD BETWEEN $-X-$ AND 2.0mm FROM $-X-$
- 2. MATING PLUGS: 22 POS 917989-1 THRU -6
10 POS 638207-6
- 3. DATUMS AND BASIC DIMENSIONS ESTABLISHED BY CUSTOMER.
- 4. DATE CODE



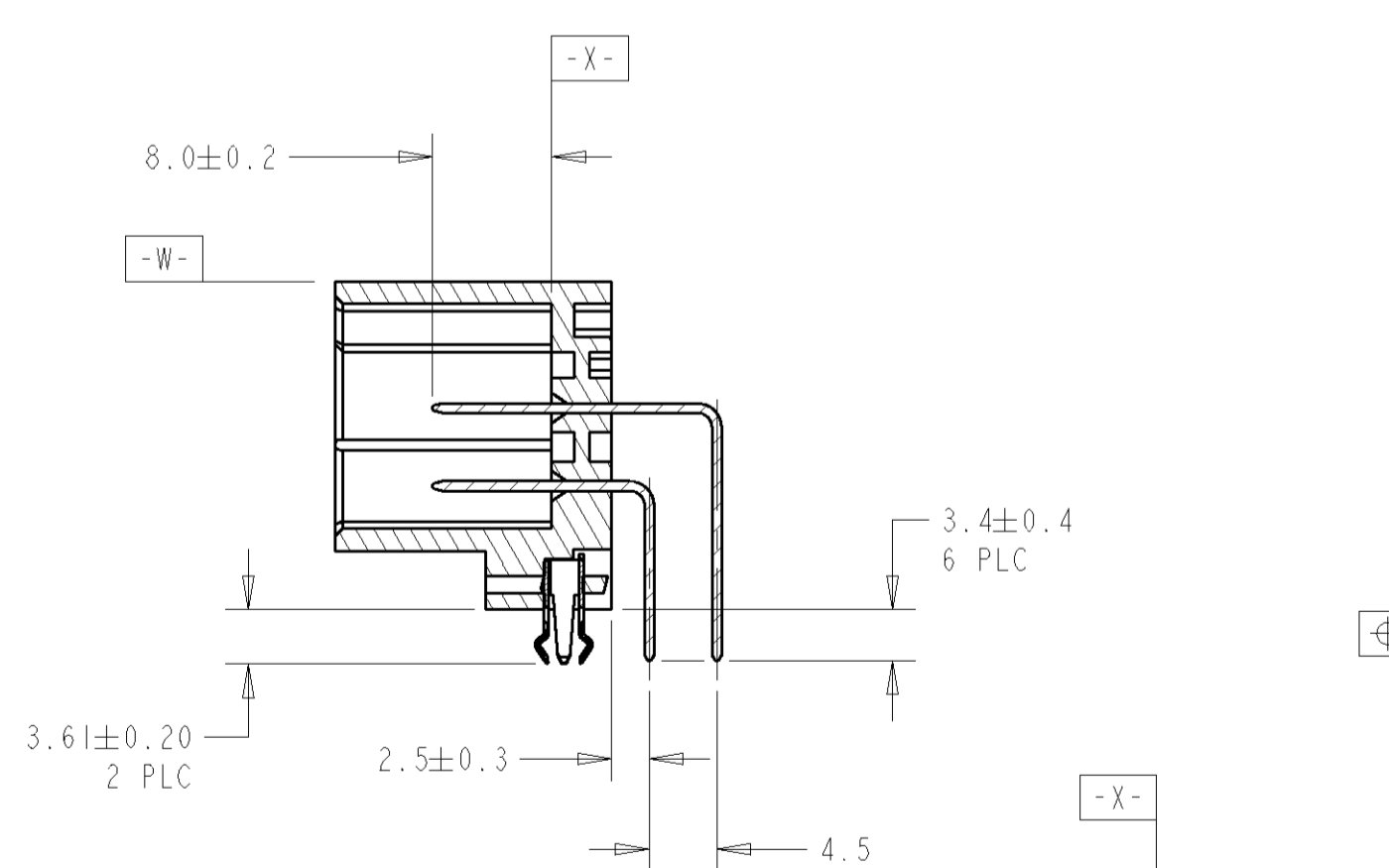
DETAIL D
SCALE 4:1



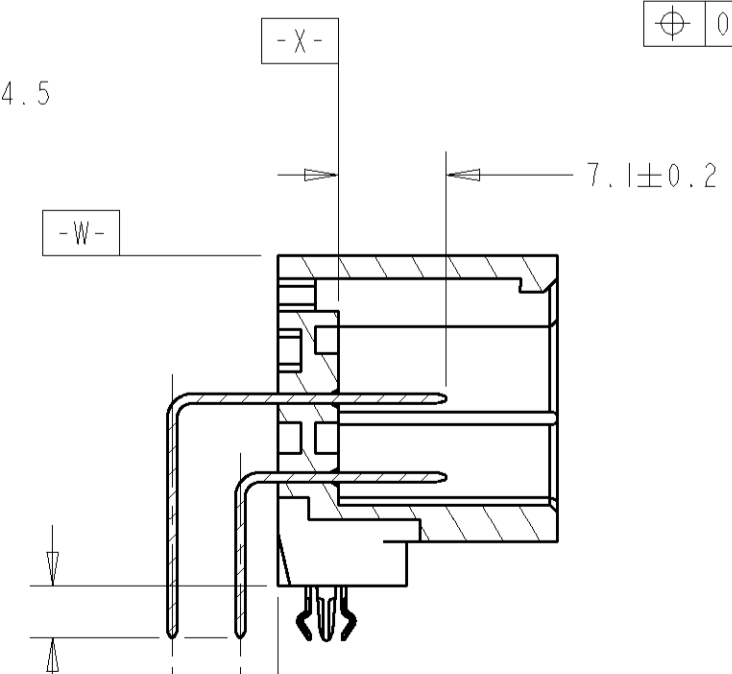
DETAIL E
SCALE 4:1



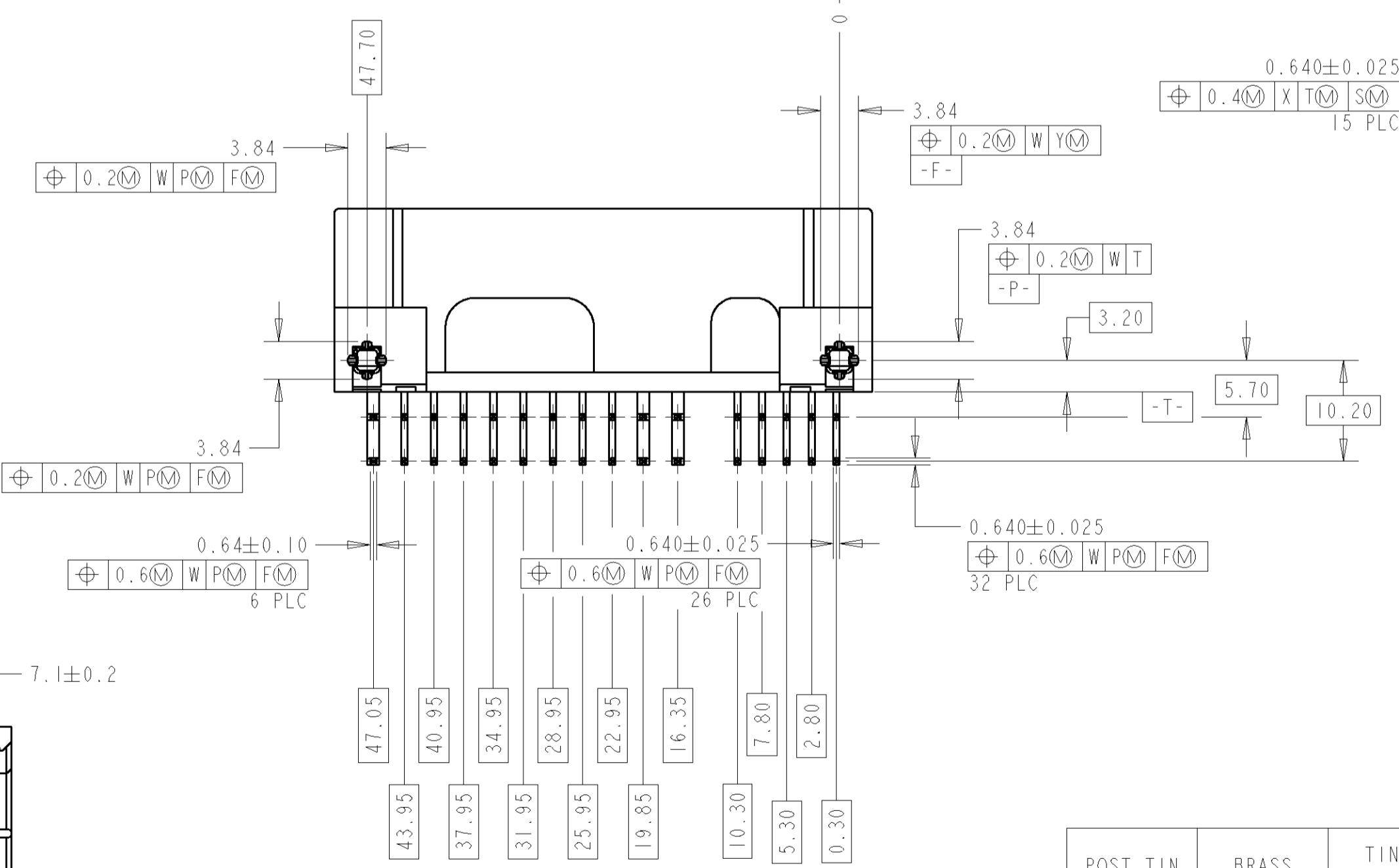
P.C. BOARD LAYOUT
COMPONENT SIDE
(RECOMMENDED BOARD THICKNESS 1.57mm)



SECTION A-A
SCALE 2:1
(.070 TABS)



SECTION B-B
SCALE 2:1
(.040 TABS)



POST TIN	BRASS	TIN OVER NICKEL GOLD OVER NICKEL	BRASS	GRAY	PBT	2-638611-6
BOARDLOCK FINISH	BOARDLOCK MATERIAL	CONTACT FINISH	CONTACT MATERIAL	COLOR	HOUSING MATERIAL	PART NUMBER
SEE TABLE	SEE TABLE	SEE TABLE	SEE TABLE	SEE TABLE	SEE TABLE	SEE TABLE

DIMENSIONS: mm 	TOLERANCES UNLESS OTHERWISE SPECIFIED: 0 PLC ±0.3 1 PLC ±0.3 2 PLC ±0.15 3 PLC ± 4 PLC ± ANGLES ±	DWN T. PETERSON 23AUG99 CDR R. SMITH 23AUG99 APD R. SMITH 23AUG99 PRODUCT SPEC 108-5342 APPLICATION SPEC - ANGLES ±	AMP Tyco Electronics Harrisburg, PA 17105-3608 NAME 040/070 32 POSITION CAP ASSY II, HORIZONTAL WITH BOARDLOCKS SIZE 00779 CAGE CODE 638611 DRAWING NO 108-5342 SHEET 1 OF 1 REV A1
-----------------------	--	---	---