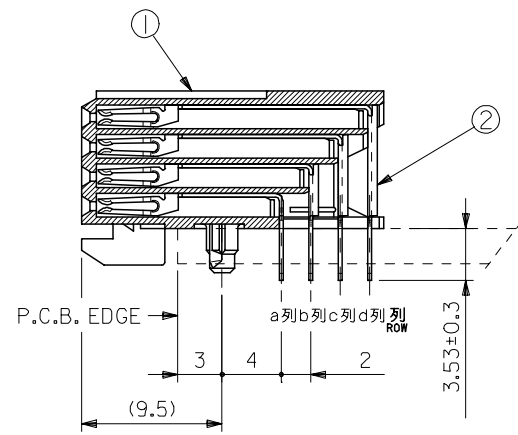
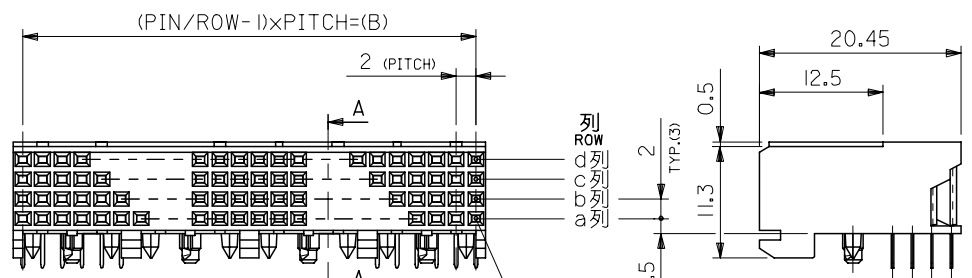
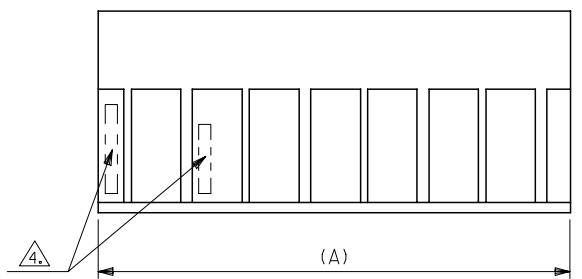


10 9 8 7 6 5 4 3 2 1

番号 No.	部品 PART NAME	材質 MATERIAL	仕上げ FINISH
①	リセプタクル ハウジング RECEPTACLE HOUSING	液晶ポリマー、ガラス充填、自然色(白)、UL 94V-0 LIQUID CRYSTAL POLYMER, GLASS FILLED, NATURAL(WHITE), UL 94V-0	—#—
②	リセプタクル ターミナル RECEPTACLE TERMINAL	リン青銅 PHOSPHOR BRONZE	△



A-A  
(NON-SCALE)

注記  
NOTE :

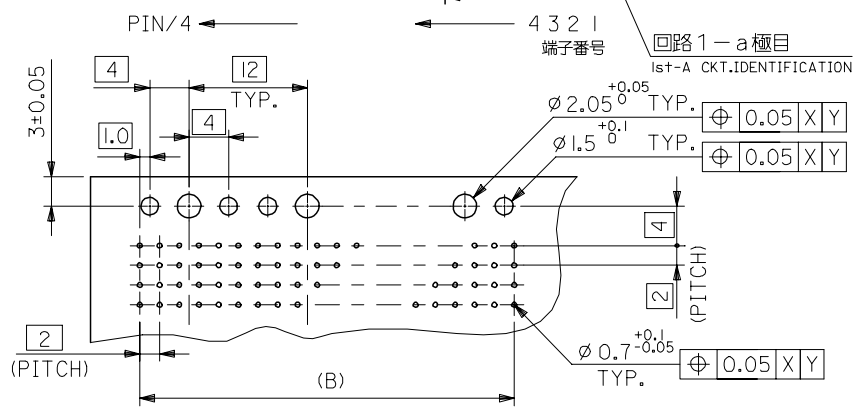
△ ターミナル めっき仕様  
TERMINAL PLATING  
金めっき: 0.38 μm MIN. (接点部)  
GOLD: 0.38 μm MIN. (CONTACT AREA)  
TIN: 1.0~2.5 μm. (半田付け部)  
TIN: 1.0~2.5 μm. (SOLDER AREA)  
ニッケルメッキ: 2.0 μm MIN. (下地めっき)  
NICKEL: 2.0 μm MIN. (UNDER PLATING)

2. 推奨基板厚: t=2.4mm  
RECOMMENDED P.C.B. THICKNESS: t=2.4mm

3. 適合プラグ: 53901-\*\*\*\*4, 55222-\*\*\*\*4, 55089-\*\*\*\*4  
APPLICABLE PLUG:

△ 製品番号及びロットナンバー  
MATERIAL NO. & LOT NO.

106	107.98	54867-2168	216
94	95.98	54867-1928	192
46	47.98	54867-0968	96
10	11.98	54867-0248	24
B	A	MATERIAL NO.	PIN



基板穴推奨寸法 (部品実装)

RECOMMENDED P.C.B. LAYOUT (COMPONENT SIDE)

MODIFICATION  
EC NO.: S5420000175  
DRWN: FANG05 2007/04/10  
CHKD: S420000109  
APPR: INCHEN 2007/04/18

QUALITY SYMBOLS  
▽=0  
△=0

GENERAL TOLERANCES (UNLESS SPECIFIED)		DIMENSION STYLE MM ONLY	
mm	INCH	DRAWN BY	DATE
4 PLACES	± ---	HWWANG	04/09/26
3 PLACES	± ---	CHECKED BY	DATE
2 PLACES	± ---	GMA	04/09/27
1 PLACE	± ---	APPROVED BY	DATE
		VINCENT	04/09/26
ANGULAR ± 3°		MATERIAL NO.	DOCUMENT NO.
DRAFT WHERE APPLICABLE MUST REMAIN WITHIN DIMENSIONS		SEE TABLE	SD-54867-006

SCALE  
MM ONLY

DESIGN UNITS  
METRIC

THIRD ANGLE PROJECTION

TITLE  
MFB B/B CONN  
4ROW REC. ASS'Y  
DIP TYPE (LEAD FREE)

MOLEX INCORPORATED

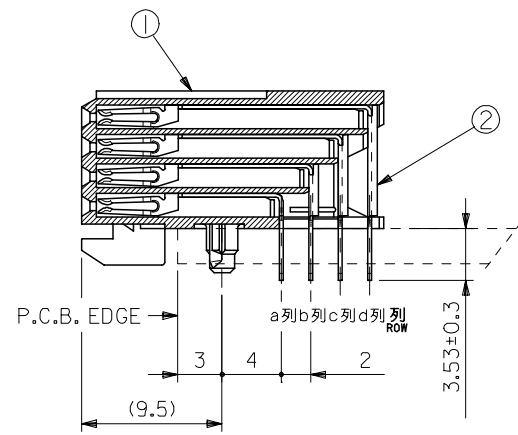
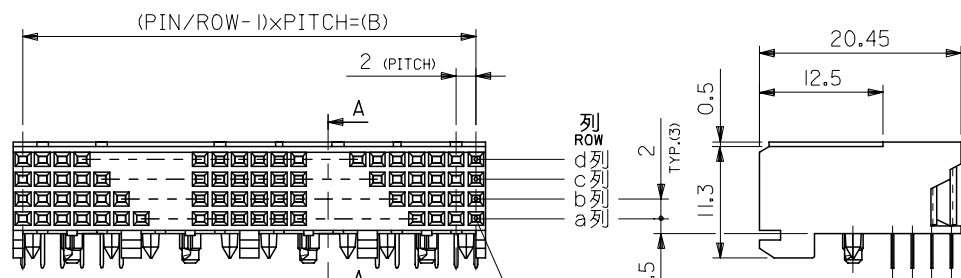
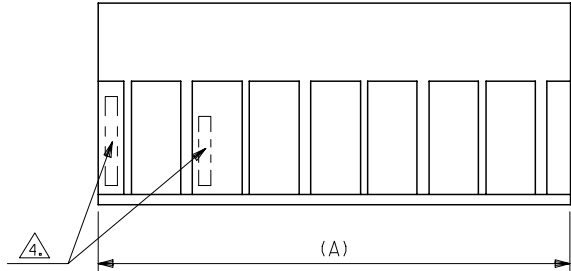
SHEET NO.  
1 OF 1

THIS DRAWING CONTAINS INFORMATION THAT IS PROPRIETARY TO MOLEX INCORPORATED AND SHOULD NOT BE USED WITHOUT WRITTEN PERMISSION

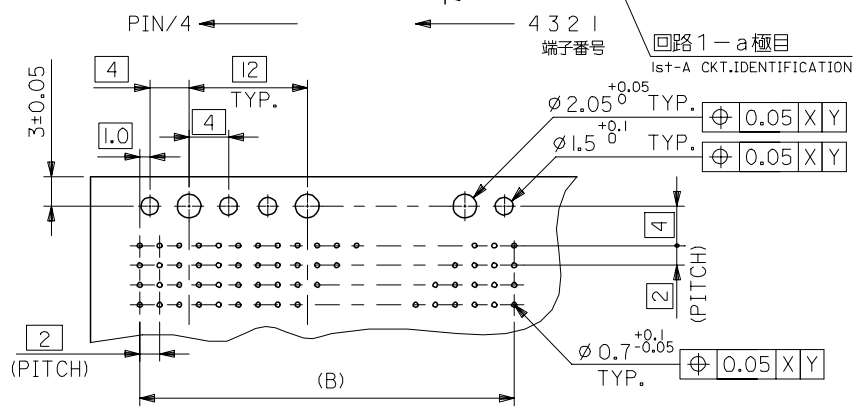
9 8 7 6 5 4 3 2 1

10 9 8 7 6 5 4 3 2 1

番号 No.	部品 PART NAME	材質 MATERIAL	仕上げ FINISH
①	リセプタクル ハウジング RECEPTACLE HOUSING	液晶ポリマー、ガラス充填、自然色(白)、UL 94V-0 LIQUID CRYSTAL POLYMER, GLASS FILLED, NATURAL(WHITE), UL 94V-0	—#—
②	リセプタクル ターミナル RECEPTACLE TERMINAL	リン青銅 PHOSPHOR BRONZE	△



A-A  
(NON-SCALE)



基板穴推奨寸法 (部品実装)

RECOMMENDED P.C.B.LAYOUT (COMPONENT SIDE)

- 注記  
NOTE :
- △ ターミナル めっき仕様  
TERMINAL PLATING  
金めっき: 0.38 μm MIN. (接点部)  
GOLD: 0.38 μm MIN. (CONTACT AREA)  
TIN: 1.0~2.5 μm. (半田付け部)  
TIN: 1.0~2.5 μm. (SOLDER AREA)  
ニッケルメッキ: 2.0 μm MIN. (下地めっき)  
NICKEL: 2.0 μm MIN. (UNDER PLATING)
  - 2. 推奨基板厚: t=2.4mm  
RECOMMENDED P.C.B. THICKNESS: t=2.4mm
  - 3. 適合プラグ: 53901-\*\*\*\*4, 55222-\*\*\*\*4, 55089-\*\*\*\*4  
APPLICABLE PLUG:
  - △ 製品番号及びロットナンバー  
MATERIAL NO. & LOT NO.

106	107.98	54867-2168	216
94	95.98	54867-1928	192
46	47.98	54867-0968	96
10	11.98	54867-0248	24
B	A	MATERIAL NO.	PIN

MODIFICATION	DESCRIPTION
EC NO: S54200075175	
DRWN: YANG05	2007/04/10
CHKD: S4200750750000409	
APPR: INCHEN	2007/04/18

QUALITY SYMBOLS	DESCRIPTION
▽=0	
△=0	

GENERAL TOLERANCES (UNLESS SPECIFIED)	
mm	INCH
4 PLACES ±---	±---
3 PLACES ±---	±---
2 PLACES ±---	±---
1 PLACE ±---	±---
ANGULAR ± 3°	

DIMENSION STYLE	
MM ONLY	
DRAWN BY	DATE
FWANG	04/09/26
CHECKED BY	DATE
GMA	04/09/27
APPROVED BY	DATE
VINCENT	04/09/26
MATERIAL NO.	

SCALE	DESIGN UNITS	THIRD ANGLE PROJECTION
MM ONLY	METRIC	☉ □
MFB B/B CONN 4ROW REC. ASS'Y DIP TYPE (LEAD FREE)		
MOLEX INCORPORATED		
DOCUMENT NO.	SHEET NO.	
SD-54867-006	1 OF 1	

DRAFT WHERE APPLICABLE MUST REMAIN WITHIN DIMENSIONS

SIZE A3

THIS DRAWING CONTAINS INFORMATION THAT IS PROPRIETARY TO MOLEX INCORPORATED AND SHOULD NOT BE USED WITHOUT WRITTEN PERMISSION

9 8 7 6 5 4 3 2 1