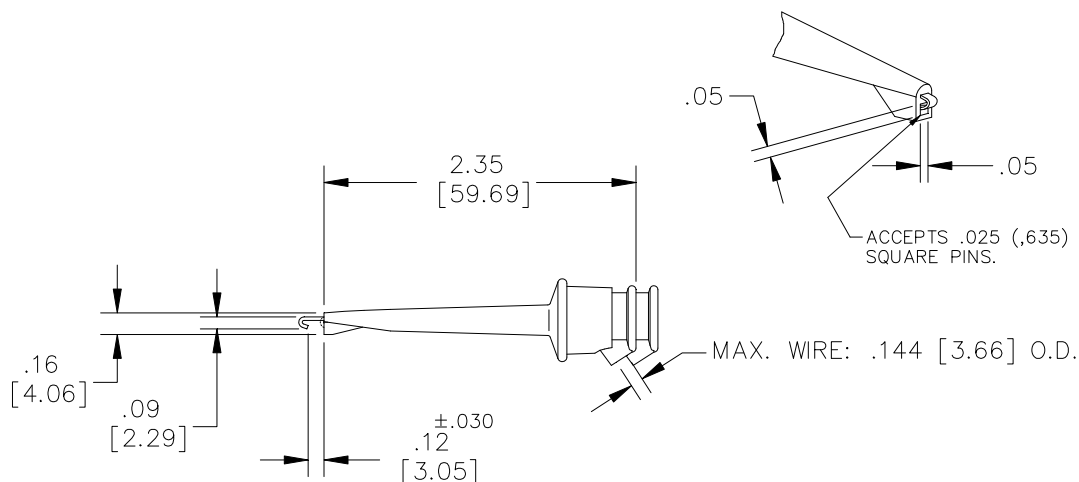


Model 4555

Do-It-Yourself Minigrabber Test Clip



Model 4555
Do-It-Yourself Minigrabber Test Clip

Materials

Contact: Gold Plated Beryllium Copper
Spring: Stainless Steel
Body Insulation: Glass filled nylon

Specifications

Voltage: Maximum voltage for hands free use: 300 Vrms Max.
For CE compliance, do not hold in hand when voltages exceed 30 Vrms / 60 Vdc.
Operating Temperature: +102°C (+216°F) Max.
Current: 5 Amperes

Ordering Information

Model: **4555-***
* = Color: -0 (Black), -2 (Red)
Ordering Example: **4555-2**, Minigrabber is red.

Additional colors may be quoted upon request.
Sold in packages of 10 per color.

USA: Sales: 800-490-2361
Technical Support: technicalsupport@pomonatest.com
Fax: 425-446-5844

Europe: 31-(0) 40 2675 150 **International:** 425-446-5500
Where to Buy: www.pomonaelectronics.com

All dimensions are in inches. Tolerances (except noted): .xx = ±.02" (.51 mm),
.xxx = ±.005" (.127 mm). All specifications are to the latest revisions.
Specifications are subject to change without notice. Registered trademarks are
the property of their respective companies.