

USB-1602HS and USB-1604HS Series

High-Speed Multifunction DAQ with Synchronous I/O



The USB-1602HS and USB-1604HS Series provides high-speed simultaneous sampling. Signals connect to BNC (front) and SCSI (rear) connectors. The USB-1604HS-2AO is shown here.

Overview

The USB-1602HS and USB-1604HS Series are high speed devices that can sample analog, digital, and counter inputs simultaneously, while generating analog outputs (when supported) and digital patterns at the same time.

Analog Input

The USB-1602HS/USB-1602HS-2AO has two analog inputs and the USB-1604HS/USB-1604HS-2AO has four. Each input has a dedicated 16-bit ADC that provides true simultaneous sampling per channel.

The input range is software-selectable for ± 10 V, ± 2.5 V, or ± 500 mV. The sample rate is 2 MS/s for the USB-1602HS and USB-1602HS-2AO, and 1.33 MS/s for the USB-1604HS and USB-1604HS-2AO, per channel. Users can pace analog input operations with the internal A/D pacer clock or with an external clock.

Analog Output

USB-1602HS-2AO and USB-1604HS-2AO provide two independent, 16-bit, analog outputs. Each analog output can continuously output a waveform at up to 1 MHz. Users can clock the output operation with the internal output scan clock or with an external clock. The internal analog input clock can pace both the analog input and output simultaneously.

Digital I/O

The digital I/O lines are configured as 16 inputs and 16 outputs. Users can pace digital operations with the onboard scan clock or with an external source.

Digital input scanning

Digital input ports can be read synchronously along with analog channels in a scan, or asynchronously before, during, or after an analog input scan. The digital inputs can sustain rates up to 8 MS/s for one channel, when no analog channels are sampled. When analog channels are also sampled, the rate is 1.33 MS/s for the USB-1604HS and USB-1604HS-2AO, and 2 MS/s for the USB-1602HS and USB-1602HS-2AO.

Digital output scanning

Digital outputs can be updated asynchronously at any time before, during, or after an acquisition.

Users can generate a digital pattern up to 4 MS/s. Digital pattern generation is clocked using the output scan clock.

Features

- 16-bit high-speed USB devices
- Simultaneous analog, digital, and counter sampling
- Sample rates up to 2 MS/s per channel
- Up to four analog inputs
- Up to two analog outputs
- 16 digital inputs and 16 digital outputs
- One digital trigger input
- Four counter inputs
- Two timer/pulse outputs
- Three quadrature detectors
- Input and output pacer clocks
- External trigger and clock inputs
- SCSI and BNC connectors
- 10 watt external power supply

Supported Operating Systems

- Windows® 11/10/8/7/Vista® XP 32/64-bit

Digital patterns can be generated with waveforms; both are paced by the same selected clock. The onboard clock generates updates ranging from once every 1000 seconds to 1 MHz, independent of the rate.

USB-1602HS and USB-1604HS Series Selection Chart

Model	Analog Input	Sample Rate per Channel (max)	Analog Output	Digital I/O	Counter Input	Quadrature Encoders
USB-1602HS	2 SE	2 MS/s	0	16 input 16 output	4	3
USB-1602HS-2AO	2 SE	2 MS/s	2	16 input 16 output	4	3
USB-1604HS	4 SE	1.33 MS/s	0	16 input 16 output	4	3
USB-1604HS-2AO	4 SE	1.33 MS/s	2	16 input 16 output	4	3

Features

Counter Input

USB-1602HS and USB-1604HS Series devices have four counters that accept frequency inputs up to 20 MHz. The counter channels can be read as 16-bit or 32-bit counters. The default input type is TTL, rising-edge triggered.

Counters can be used to concurrently monitor time periods, frequencies, pulses, and other event-driven incremental operations. Users can map counter channels to gate a counter, decrement a counter, or latch the current count to the count register. Users can also configure a counter to be gated by another counter input that is mapped as a gate input.

Counters can be read asynchronously under program control, or synchronously as part of an analog or digital scan group.

- When read synchronously, all counters are set to zero at the start of an acquisition.
- When read asynchronously, counters may be cleared on each read, count up continually, or count until the 16-bit or 32-bit limit is reached.

Counter, period, pulse width measurement (PWM), and timing counter modes are supported.

Quadrature Encoders

Users can connect up to three quadrature encoders to measure linear and rotary position. Encoders with a 16-bit (counter low) or a 32-bit (counter low and counter high) counter, 6 MHz maximum pulse frequency, and X1, X2, and X4 count modes are supported. Each input can be debounced to eliminate noise or false edges, or to switch induced transients.

Trigger Input

The USB-1602HS and USB-1604HS Series supports hardware and software triggering.

With hardware-based triggers, an output value is compared in hardware to an input level on a specified channel. These hardware-based triggers are supported:

- Analog input hardware
 - External digital trigger input (DIG TRIG pin)
- With software-based triggers, an analog, digital, or counter reading is checked by the computer in order to detect a trigger event. These software-based triggers are supported:

- Analog software trigger
- Digital pattern
- Counter/totalizer

These software triggers can also be used to stop an acquisition.

Timer Output

The USB-1602HS and USB-1604HS Series have two timer outputs for generating pulse width waves. The duty cycle and frequency are software-selectable. Timer outputs can be updated asynchronously at any time.

Clock I/O

The USB-1602HS and USB-1604HS Series have independent input and output pacing clocks.

Users can pace analog, digital, and counter input scans with the internal input clock or an external clock. Analog channels can be paced from 0.75 μ s to 1000 seconds in 20.83 ns steps. Digital and counter inputs can be paced from 250 ns to 1 second in 20.83 ns steps. The clock rate is 8 MHz maximum for both the internal input clock and external input clock.

Users can pace analog, digital, and timer output operations with the internal input clock, internal output clock, external input clock, or external output clock. The clock rate is 1 MHz maximum for analog output operations, and 8 MHz maximum for digital operations with no analog channels enabled.

Setpoint Detection

Users can configure a detection setpoint for each analog input channel. Setpoint detection can be used to update an output channel with an input channel value, or to write a specified value to a digital output port, when specified criteria is met. This allows for real-time control based on acquisition data. Setpoint detection criteria is configurable with software.

Signal Connections

A 68-pin SCSI connector provides connections for all signal I/O except analog inputs.

BNC connectors provide connections for the analog inputs, and alternate connections for the external clock and external digital trigger input.

Calibration

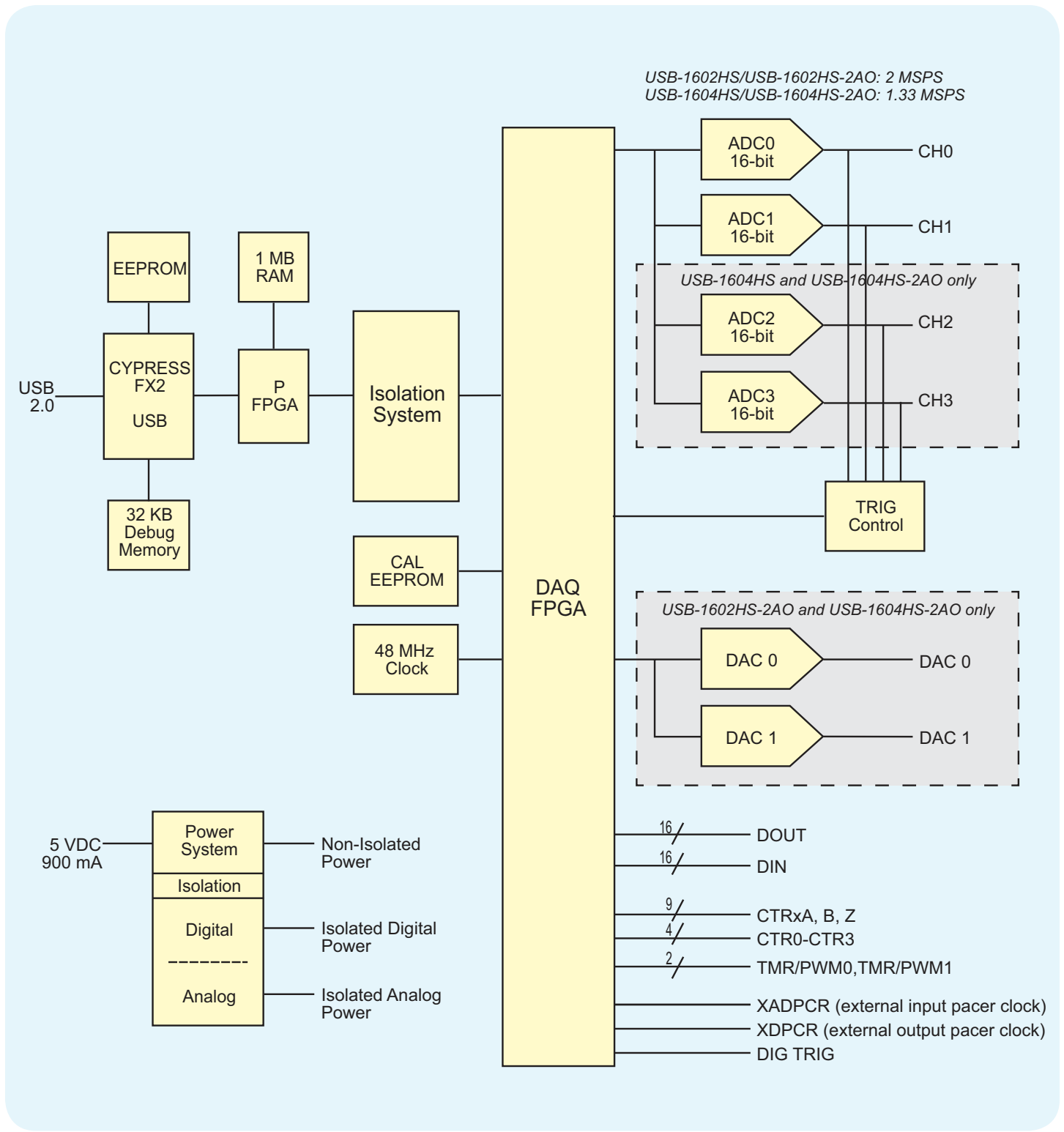
USB-1602HS and USB-1604HS Series devices are factory-calibrated using a NIST-traceable calibration process. Correction factors for each range are stored on the device at the time of calibration. Specifications are guaranteed for one year. For calibration beyond one year, return the device to the factory for recalibration.

USB-1602HS and USB-1604HS Series devices support field calibration. Field calibration traceability is derived through the onboard reference. Use the InstaCal utility to calibrate the device after it has fully warmed up and immediately before making critical measurements.

USB-1602HS and USB-1604HS Series



Block Diagram



Software Support

USB-1602HS and USB-1604HS Series devices are supported by the software in the table below.

Ready-to-Run Applications

[InstaCal™](#)



An interactive installation, configuration, and test utility for MCC hardware. Windows OS
InstaCal is included with the free MCC DAQ Software bundle (CD/download).

[TracerDAQ™](#) and [TracerDAQ Pro](#)



Virtual strip chart, oscilloscope, function generator, and rate generator applications used to generate, acquire, analyze, display, and export data. Supported features may vary by hardware. The Pro version provides enhanced features. Windows OS

TracerDAQ is included with the free MCC DAQ Software bundle (CD/download).

TracerDAQ Pro is available as a purchased software download.

General-Purpose Programming Support

[Universal Library™ \(UL\)](#)

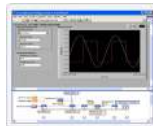


Library for developing applications in C, C++, VB, C# .Net, VB .Net, and Python. Windows OS

The UL is included with the free MCC DAQ Software bundle (CD/download).

Application-Specific Programming Support

[ULx for NI LabVIEW™](#)



A comprehensive library of VIs and example programs for NI LabVIEW that is used to develop custom applications that interact with most MCC devices. Windows OS

ULx for NI LabVIEW is included with the free MCC DAQ Software bundle (CD/download).

[DASYLab®](#)



Icon-based data acquisition, graphics, control, and analysis software that allows users to create complex applications in minimal time without text-based programming. Windows OS

DASYLab is available as a purchased software download. An evaluation version is available for 28 days.

[MATLAB® driver](#)



High-level language and interactive environment for numerical computation, visualization, and programming. The Mathworks Data Acquisition Toolbox™ allows users to acquire data from most MCC PCI and USB devices.

Visit www.MathWorks.com for more information about the Data Acquisition Toolbox.

USB-1602HS and USB-1604HS Series



Specifications

Specifications

All specifications are subject to change without notice.
 Typical for 25 °C unless otherwise specified.
 All signal names refer to 68 pin SCSI connector, unless otherwise specified.

Analog Input

A/D converter type: 16-bit successive approximation type
Number of channels:
 USB-1602HS, USB-1602HS-2AO: 2
 USB-1604HS, USB-1604HS-2AO: 4
Input configuration: Single-ended
Sampling method: Simultaneous; individual A/D per channel
Input ranges: ± 10 V, ± 2.5 V, ± 500 mV
Absolute max input voltage: ± 30 V max (power on), ± 20 V max (power off)
Input impedance: 10 M Ω (typ, power on)
Input bias current: < 2 μ A
Input bandwidth (-3 dB): 3 MHz, typ
Crosstalk Remaining inputs grounded: 100 dB (at 100 kHz)
Pacer sources: Onboard A/D clock, XAPCR (SCCI connector), or EXT CLK (BNC connector.) Refer to ["Pacing Sources" on page 6](#) for details.
Trigger sources and modes: Refer to ["Trigger Sources" on page 6](#) for details.
Sample rate: Software-selectable.
 USB-1602HS, USB-1602HS-2AO: 0.01 S/s to 2 MS/s each channel
 USB-1604HS, USB-1604HS-2AO: 0.01 S/s to 1.33 MS/s each channel
Resolution: 16-bits
INL (integral non-linearity): ± 2.0 LSB
DNL (differential non-linearity): ± 1.0 LSB

Calibrated Accuracy	
Range	Accuracy (mV)
± 10 V	± 1
± 2.5 V	± 0.5
± 500 mV	± 0.15

Noise Performance		
Range	Counts	LSBrms
± 10 V	8	1.3
± 2.5 V	11	1.6
± 500 mV	17	2.5

Noise distribution is determined by gathering 50,000 samples with inputs tied to ground at the BNC connectors. Samples are gathered at the max specified rate.

Signal to Noise and Distortion (SINAD) Performance	
Range	SINAD, dB
± 10 V	84
± 2.5 V	82
± 500 mV	77

Calibrated and measured with a 10 kHz signal at 0.95 FSR, at the maximum sampling rate.

Effective Number of Bits (ENOB) Performance	
Range	Typical ENOB, bits
± 10 V	14
± 2.5 V	13
± 500 mV	13

Calibrated and measured with a 10 kHz signal at 0.95 FSR, at the maximum sampling rate.

Spurious-Free Dynamic Range (SFDR) Performance	
Range	Typical SFDR, dB
± 10 V	95
± 2.5 V	95
± 500 mV	95

SFDR is measured at the maximum sampling rate.

Analog Output (USB-1602HS-2AO and USB-1604HS-2AO)

Number of channels: Two, independent (DAC 0, DAC 1)
Resolution: 16-bits
Output range: ± 10 V
Throughput: Two channels, 1 MS/s each channel
Pacer sources: Internal, external, slaved to analog input pacing; refer to ["Pacing Sources" on page 6](#) for details.
Monotonicity: 16-bits
Glitch energy: < 12 nV/s
Current output: ± 5 mA max
Output coupling: DC
Power up state: DACs clear to midscale, (0 V, ± 20 mV)
Output noise: 3 mV rms max
Settling time (to .01% FS):
 10 V output step, (RL=5 k Ω , CL=200 pf): 5 μ s
Slew rate: 10 V/ μ s
Gain error: $\pm 0.01\%$ of FSR
Zero error: ± 0.0045 V max
INL: < 2 LSBs
DNL: < 1 LSB
Offset error drift: ± 10 ppm/ $^{\circ}$ C
Gain error drift: ± 10 ppm/ $^{\circ}$ C

Analog Input Calibration

Recommended warm-up time: 15 minutes min
Calibration methods: Factory calibration and field calibration supported
System calibration interval: 1 year
System calibration references: +8.192 V, +2.048 V, +0.4096 V ± 5 mV.
 Actual measured values stored in EEPROM:
Tempco: 5 ppm/ $^{\circ}$ C max
Long term stability: 30 ppm/1000 h

Digital Input

Number of channels: 16 inputs (DIN0-DIN15)
Digital type: 3.3 V CMOS; 5 V tolerant
Digital input transfer rate (H/W paced)
DIO-only operation: Up to 8 MHz.
DIO and AI operations:
 USB-1602HS, USB-1602HS-2AO: 2 MHz
 USB-1604HS, USB-1604HS-2AO: 1.33 MHz
Input high voltage: 2.0 V min, 5.5 V max
Input low voltage: 0.8 V max, 0 V min
Absolute maximum input voltage: 15 V (power-on and power-off conditions)
DIN pacing: Onboard or external clock (XAPCR)
Pacer sources: Onboard A/D clock, XAPCR (SCCI), or EXT CLK (BNC)
DIN trigger modes and sources: See ["Trigger Sources" on page 6](#) for details.
Input pull-ups: 100 k Ω ; contact us for alternative options
Latency, software paced: 115 ms, typical; system-dependant

Digital Output

Number of channels: 16 outputs (DOUT0-DOUT15)
Output rate:
 No analog outputs enabled: 8 MHz max
 Analog outputs enabled: 1 MHz max
Type: 3.3 V CMOS
Output high voltage (IOH = -2.5 mA): 2.4 V min, 3.4 V max
Output low voltage (IOL = 2.5 mA): 0.4 V max, 0 V min
Output current: 2.5 mA max per pin
DOUT pacing: Onboard or external clock (XDPCR)
Pacer sources: Internal, external, pacing slaved to analog input pacing; refer to ["Pacing Sources" on page 6](#) for details.
Power on and reset state: Low
Latency, software paced: 115 ms, typ; system-dependant

Specifications

Trigger Sources

Available trigger sources: Analog input hardware, analog software trigger, external digital input, digital pattern, counter/totalizer

Analog input (hardware) trigger source

USB-1602HS, USB-1602HS-2AO: CH0 to CH1

USB-1604HS, USB-1604HS-2AO: CH0 to CH3

Input signal range: Entire span of selected voltage range; channel selectable.

Trigger level: Software-selectable, 12-bit resolution

Hysteresis: Software-selectable, 12-bit resolution

Latency: 1.25 μ s typ

Accuracy: $\pm 2\%$ of reading, ± 10 mV offset max

Analog software trigger source

USB-1602HS, USB-1602HS-2AO: CH0 – CH1

USB-1604HS, USB-1604HS-2AO: CH0 – CH3

Trigger range: Anywhere within range of the trigger channel

Trigger level: Software-selectable, 16-bit resolution

Latency: One sample period max

External digital input trigger source: EXT TRIG (BNC connector), or DIG TRIG (SCSI connector)

Input signal range: -15 V to $+15$ V max

Trigger level: TTL level sensitive

Minimum pulse width: 50 ns high, 50 ns low

Latency: 100 ns max

Digital pattern triggering source: DIN0 to DIN15; 16-bit pattern triggering on the digital port. Software-selectable for trigger on equal, not equal, above, or below a value. Individual bits can be masked for “don’t care” condition. Latency is one sample period, max.

Counter/totalizer triggering source: CTR0 to CTR3; Counter/totalizer inputs can trigger an acquisition. User can trigger on a frequency, or total counts that are equal/not equal, above/below a value, or within/outside of a window rising/falling edge. Latency is one sample period, max.

Pacing Sources

Pacer clocks (two): Input pacer clock, output pacer clock

Input pacer: For pacing A/D, DIN and counter signals. Can be internally generated or externally supplied (XAPCR).

Output pacer: For pacing DAC, DOUT and timer/PWM signals. Can be internally generated or externally supplied (XDPCR).

Input pacer clock sources (two): Internal, external

Internal clock (software-selectable):

Analog channels:

USB-1602HS, USB-1602HS-2AO: 500 ns to 1000 s in 20.83 ns steps

USB-1604HS, USB-1604HS-2AO: 750 ns to 1000 s in 20.83 ns steps

DIN and counter channels: 125 ns to 100 s in 20.83 ns steps.

Can be configured to pace AO and/or DOUT channels.

External clock, TTL level input (XAPCR):

Analog channels:

USB-1602HS, USB-1602HS-2AO: Down to 500 ns min

USB-1604HS, USB-1604HS-2AO: Down to 750 ns min

DIN and counter channels: Down to 125 ns min

Can be configured to pace DAC and/or DOUT channels.

Input pacer rate: Internal or external, XAPCR source

Analog rate:

USB-1602HS, USB-1602HS-2AO: 2 MHz max

USB-1604HS, USB-1604HS-2AO: 1.33 MHz max

Digital rate: 8 MHz if no analog channels are enabled. When analog channels are enabled:

USB-1602HS, USB-1602HS-2AO: 2 MHz max

USB-1604HS, USB-1604HS-2AO: 1.33 MHz max

Pacer input high voltage: 2.0 V min, 5.5 V max

Pacer input low voltage: 0.8 V max, 0 V min

Minimum pulse width: 50 ns high, 50 ns low

Output pacer clock sources (four): Internal output pacer clock, (independent of input pacer clock), external output pacer clock (XDPCR), internal input pacing clock, and external input pacing clock (XAPCR)

Output pacer rate: Internal or external, XDPCR source.

Analog rate: 1.0 MHz max

Digital rate

Analog outputs not enabled: 8 MHz, if no analog outputs are enabled,

Analog outputs enabled: 1 MHz

Internal pacer routed to BNC or SCSI connector

Output high voltage (IOH = -2.5 mA):

Output low voltage (IOL = 2.5 mA):

XAPCR or XDPCR: 2.4 V min, 0.4 V max

Counter Input

Number of channels: 4 independent counters (CTR0, CTR1, CTR2, CTR03); may be configured as gated.

Modes: Counter, Period, Pulse width, Timing

Counter mode options: Totalize, Clear on Read, Rollover, Stop at top, 16-bit or 32-bit, any other channel can decrement the counter

Period mode options: Measure x1, x10, x100, or x1000 periods, 16-bit or 32-bit, 4 timebases (20.83 ns, 208.3 ns, 2.083 μ s, 20.83 μ s), any other channel can gate the period measurement

Pulse width mode options: 16-bit or 32-bit values, 4 time bases to choose from (20.83 ns, 208.3 ns, 2.083 μ s, 20.83 μ s), any other channel can gate the pulse width measurement

Timing mode options: 16-bit or 32-bit values, 4 time bases (20.83 ns, 208.3 ns, 2.083 μ s, 20.83 μ s)

Resolution: 16- or 32-bits

Maximum input frequency: 20 MHz

Input type: TTL, rising edge triggered

Absolute maximum input voltage: 15 V

Debounce function 16 selections, from 500 ns to 25.5 ms, positive or negative edge, glitch detect and/or debounce modes

Required input current: ± 5 μ A

Minimum pulse width: 25 ns high, 25 ns low

Input high voltage: 2.0 V min, 5.5 V max

Input low voltage: 0.8 V max, 0 V min

Timer Output

Number of channels: TMR/PWM0, TMR/PWM1

Effective frequency range: 0.0112 Hz to 24 MHz

Period resolution: 20.83 ns

Pulse width resolution: 20.83 ns

Output high voltage (IOH = -2.5 mA): 2.4 V min

Output low voltage (IOL = 2.5 mA): 0.4 V max

Output current: 2.5 mA max per pin

Quadrature Encoders

Number of encoders: 3 (CTR4A, B, Z; CTR5 A, B, Z; CTR6 A, B, Z)

Signals per decoder: A, B and Z

Resolution: 16- or 32-bits

Maximum frequency: 6 MHz

Minimum pulse width: 25 ns high, 25 ns low

Debounce function: 16 selections, from 500 ns to 25.5 ms, positive or negative edge, glitch detect, and/or debounce modes

Input high voltage: 2.0 V min, 5.5 V max

Input low voltage: 0.8 V max, 0 V min

Absolute maximum input voltage: 15 V

Power

Supply current (continuous mode): 1.5 A max

+5V EXT output voltage range: 4.75 V to 5.25 V

Isolation (measurement system to PC): 500 VDC min

AC power adapter: MCC part number PS-5V2AEP5

Output voltage: 5 V, $\pm 5\%$

Output power: 10 watts

Power jack configuration: Two conductor, barrel

Power jack barrel diameter: 6.3 mm

Power jack pin diameter: 2.0 mm

Power jack polarity: Center positive

Environmental

Operating temperature range: 0 $^{\circ}$ C to 55 $^{\circ}$ C max

Storage temperature range: -40 $^{\circ}$ C to 85 $^{\circ}$ C max

Humidity: 0% to 90% non-condensing max

Mechanical

Dimensions (L \times W \times H): 142.2 \times 180.3 \times 38.1 (5.6 \times 7.1 \times 1.5 in.)

Weight: 675 g (1.5 lbs)

USB-1602HS and USB-1604HS Series

Ordering



Ordering Information

Hardware

Part No.	Description
USB-1602HS	16-bit, high-speed 2 MS/s simultaneous sampling device with two analog inputs, four counters, two timers, and 32 DIO lines. Includes USB cable, external power supply, and MCC DAQ software.
USB-1602HS-2AO	16-bit, high-speed 2 MS/s simultaneous sampling device with two analog inputs, two analog outputs, four counters, two timers, and 32 DIO lines. Includes USB cable, external power supply, and MCC DAQ software.
USB-1604HS	16-bit, high-speed 1.33 MS/s simultaneous sampling device with four analog inputs, four counters, two timers, and 32 DIO lines. Includes USB cable, external power supply, and MCC DAQ software.
USB-1604HS-2AO	16-bit, high-speed 1.33 MS/s simultaneous sampling device with four analog inputs, two analog outputs, four counters, two timers, and 32 DIO lines. Includes USB cable, external power supply, and MCC DAQ software.

Accessories and Cables

Part No.	Description
CA-68-3R	68-pin ribbon cable, 3 feet.
CA-68-3S	68-pin shielded round cable, 3 feet.
CA-68-6S	68-pin shielded round cable, 6 feet.
TB-102	Termination board with screw terminals.
RM-TB-100	19-inch rack mount kit for use with the TB-102.

Software also Available from MCC

Part No.	Description
TracerDAQ Pro	Out-of-the-box virtual instrument suite with strip chart, oscilloscope, function generator, and rate generator – professional version
DASYLab	Icon-based data acquisition, graphics, control, and analysis software