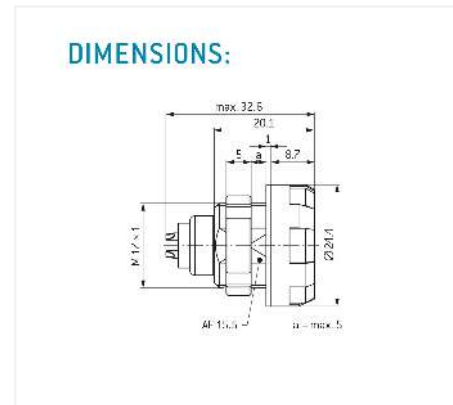
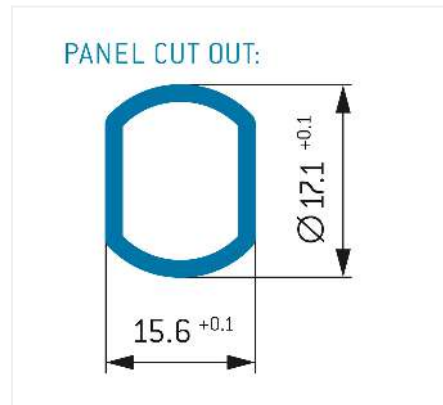
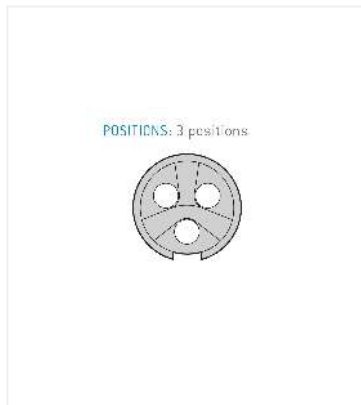


General information

Part number	G42ME7-P03LTS0-0071
Termination	solder
Size	2
Locking principle	break, push
Coding	e key medi



Contact insert description

Number of contacts	3
Contact type	sockets
Contact diameter	20_fmlb
Insulator material	peek
Wire cross section	14_awg
Termination	solder
Termination diameter	24mm

reverse_gender_on_request

Technical information

Max. creepage and air clearance distance	47_20_mm	
Nominal current single contact	22_a	iec_60512_5_2
Nominal current insert	22 A	vde_0298_4
Test voltage	5_kv_dc	sae_13441

safety_text_hv

Mechanical and environmental data

Degree of protection*	ip64
Operating temperature	50_120_c
Mating cycles	5000

mated

Insulator materials MEDI-SNAP®

psu_peek

Material and surface treatments

Housing	psu_gray
Color option	gray
Contact	cu_alloy_gold

safety_text_2
ul_text
illustrative_text