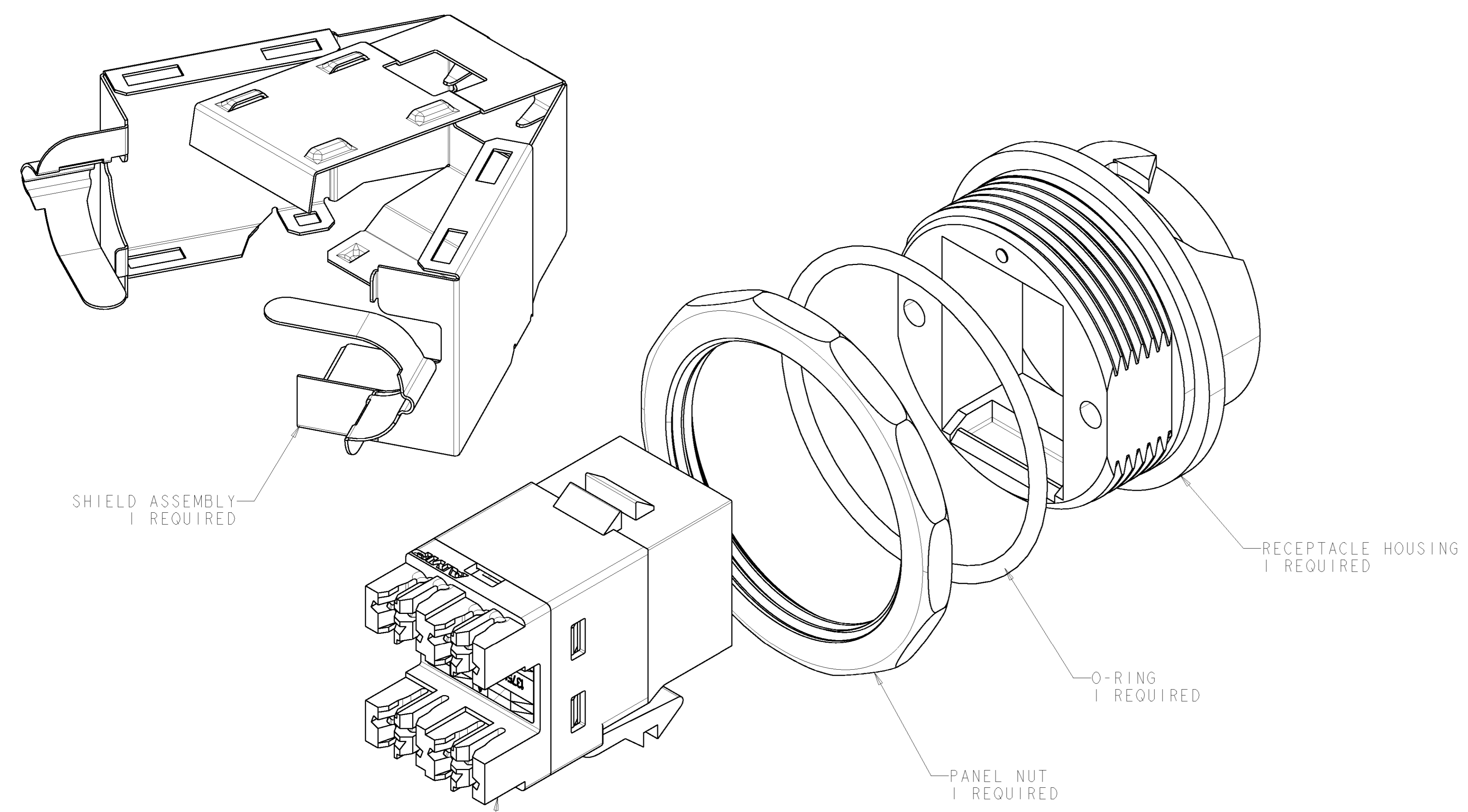
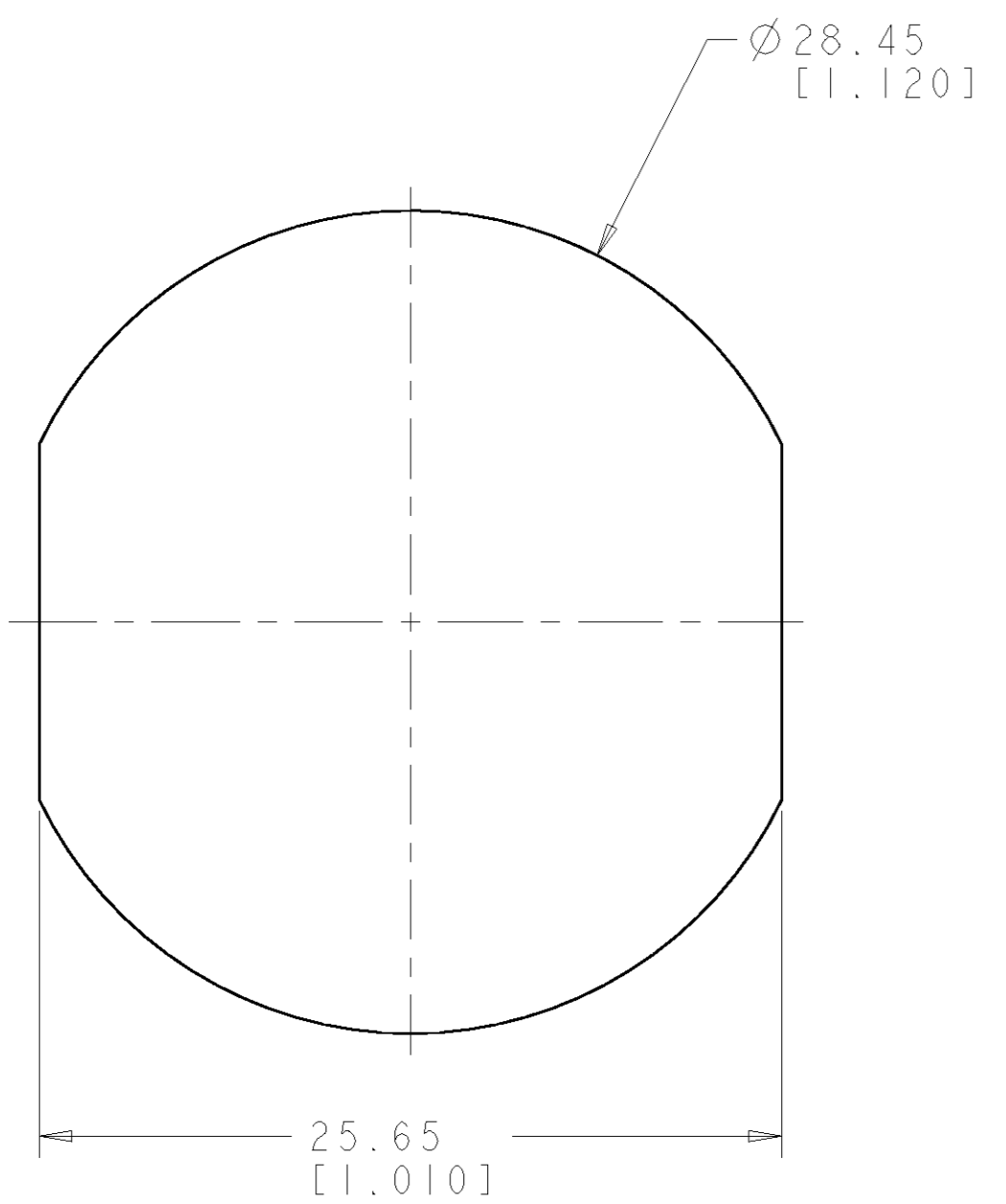


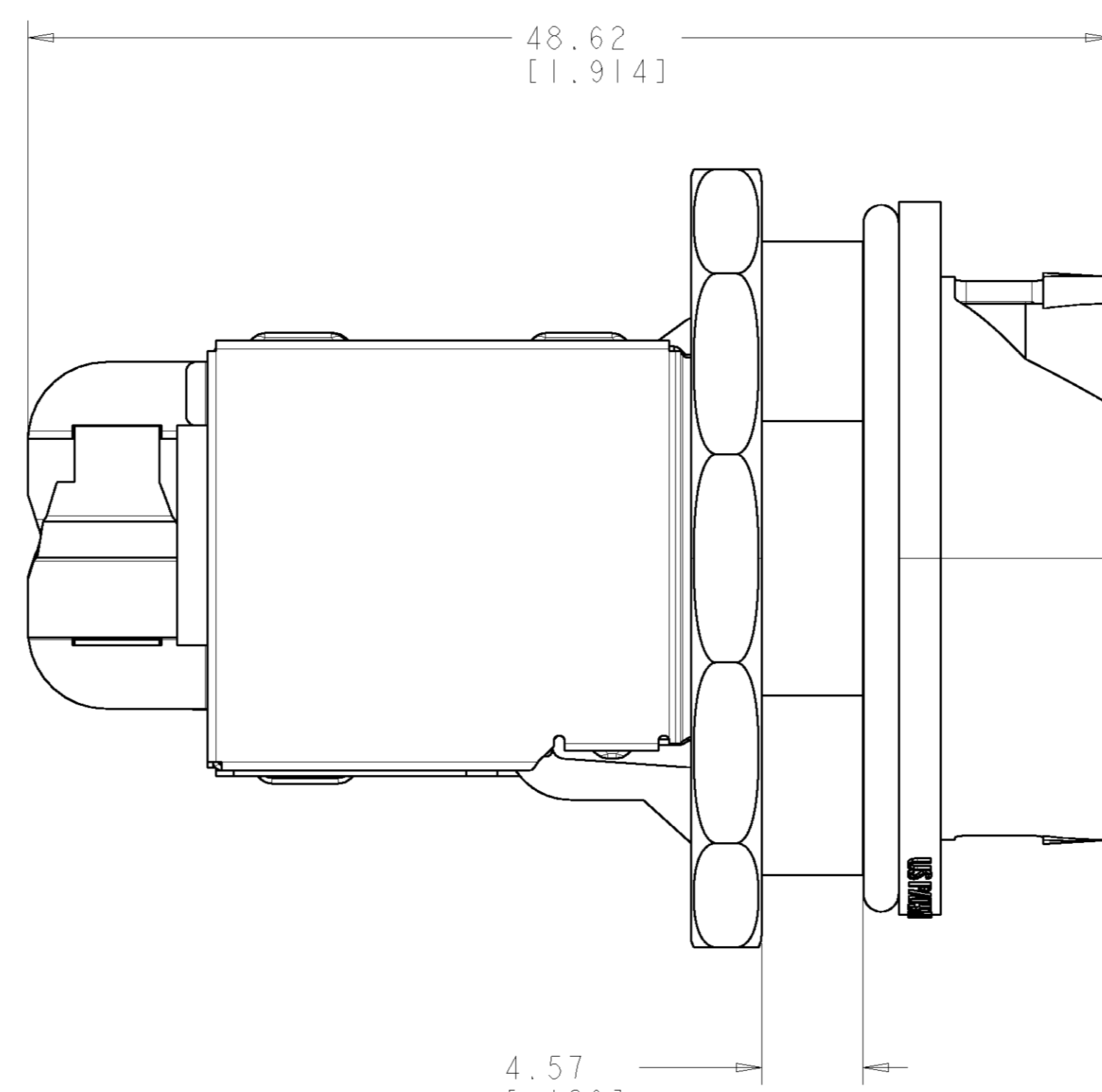
LOC	QTY	REV	DESCRIPTION	DATE	DWN	APVD
HM	00	A	RLSD - NSD03-078	21NOV03	LH	CD
		B	REV: EC 0840-0023-04	17FEB04	GG	MD



SL 110
 CAT 5E JACK
 PART NUMBER 1375189-1
 5 1 REQUIRED



RECOMMENDED PANEL CUTOUT
 SCALE 4:1 3



4.57 [0.180]
 MAXIMUM RECOMMENDED
 PANEL THICKNESS

- ⚠ MATERIAL: JACK HOUSING - POLYPHENYLENE OXIDE, 94V-0 RATED.
 ARRAY TRAY - PBT POLYESTER.
 110 BLOCK - POLYCARBONATE.
 JACK CONTACTS - BERYLLIUM COPPER, PLATED WITH 1.27µm [0.00050] MINIMUM THICK GOLD IN LOCALIZED AREA AND 3.81µm [0.00150] MINIMUM THICK TIN-LEAD IN SOLDER AREA OVER 1.27µm [0.00050] MINIMUM THICK NICKEL UNDERPLATE.
 SHIELD - COPPER ZINC ALLOY 260 PREPLATED WITH BRIGHT NICKEL.
 IDC TERMINALS - PHOSPHOROUS BRONZE, PLATED WITH 3.81µm [0.0015] MINIMUM THICK BRIGHT TIN-LEAD OVER 1.27µm [0.0005] MINIMUM THICK NICKEL UNDERPLATE.
 RECEPTACLE HOUSING - PBT, 94V-0 RATED.
 O-RING SEALS - BUNA.
 PANEL NUT - NICKEL PLATED BRASS.

- 2. SL 110 JACK WILL TERMINATE 22-24 AWG SOLID CONDUCTORS AND 24 AWG STRANDED CONDUCTORS, 1.14 [0.045] MAXIMUM INSULATION DIAMETER.
- ⚠ SUGGESTED PANEL CUTOUT OPENING.
- ⚠ PACKAGED ONE MODULAR JACK, ONE SHIELD, ONE O-RING, ONE ETHERSEAL HOUSING, AND ONE PANEL NUT, PER POLYBAG. KIT SHIPPED NOT ASSEMBLED.
- ⚠ REFER TO INSTRUCTION SHEET 408-8602 FOR JACK TERMINATION ASSEMBLY INSTRUCTIONS AND 408-8875 FOR ETHERSEAL RECEPTACLE KIT ASSEMBLY INSTRUCTIONS.

DIMENSIONS:		TOLERANCES UNLESS OTHERWISE SPECIFIED:		DWN		19NOV03		BLACK		1479564-2	
MM [INCHES]		0 PLC ±		C.H. HALL		21NOV03		COLOR		PART NUMBER	
1 PLC ±		1 PLC ±		C. DOOLEY		21NOV03		TYCO ELECTRONICS		Tyco Electronics	
2 PLC ±		2 PLC ±		C. DOOLEY		21NOV03		Harrisburg, PA 17105-3608		KIT, ETHERSEAL, SHIELDED, CAT 5E	
3 PLC ±		3 PLC ±		C. DOOLEY		21NOV03		NAME		SL 110 JACK, FRONT MOUNT, BLACK	
4 PLC ±		4 PLC ±		C. DOOLEY		21NOV03		PRODUCT SPEC		-	
ANGLES		FINISH		APVD		-		APPLICATION SPEC		-	
MATERIAL		FINISH		C. DOOLEY		-		SIZE		CAGE CODE	
-		-		C. DOOLEY		-		00779		1479564	
-		-		C. DOOLEY		-		SCALE		4:1	
-		-		C. DOOLEY		-		SHEET		1 OF 1	
-		-		C. DOOLEY		-		REV		B	