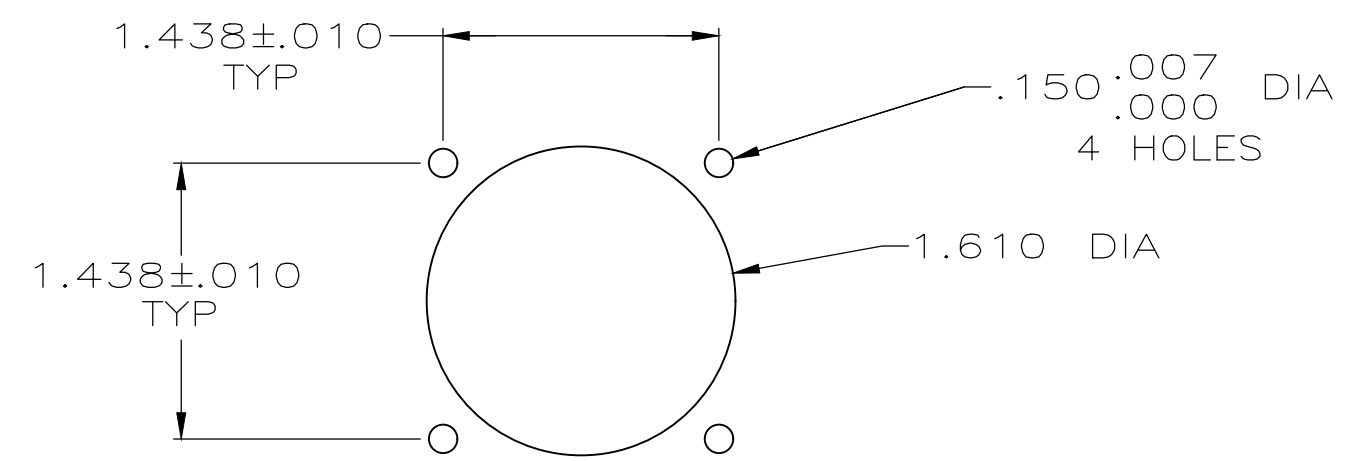
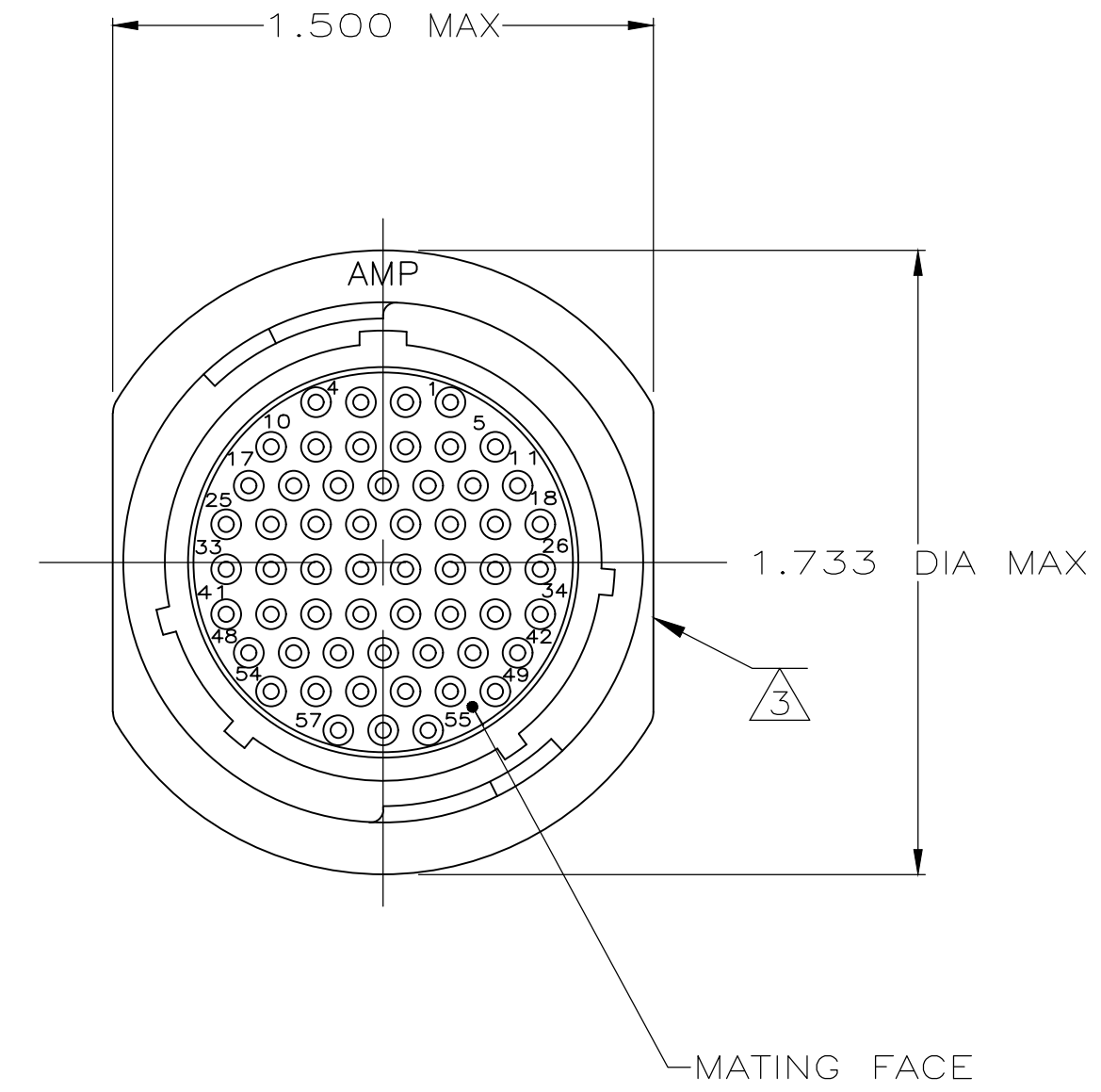
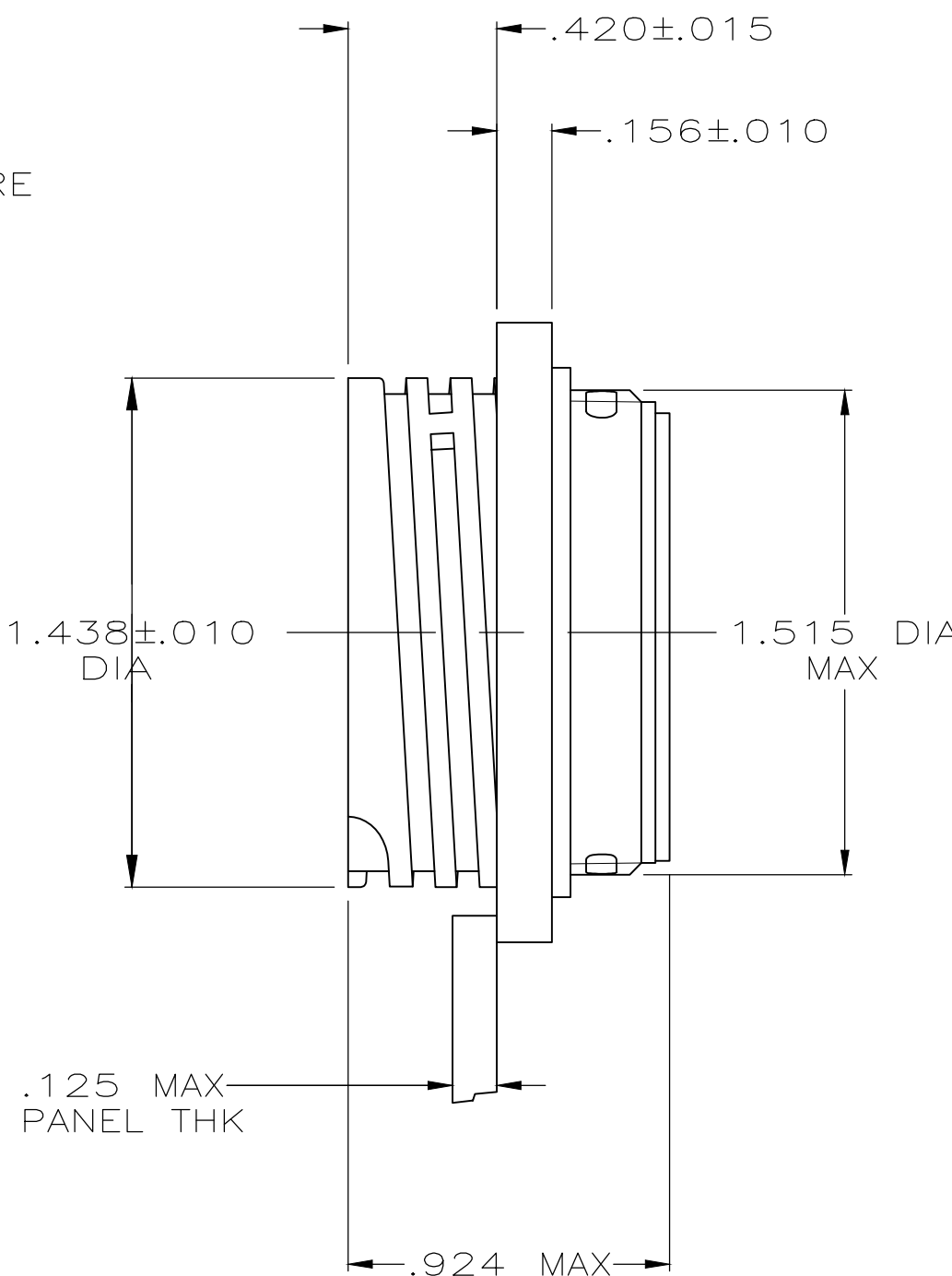
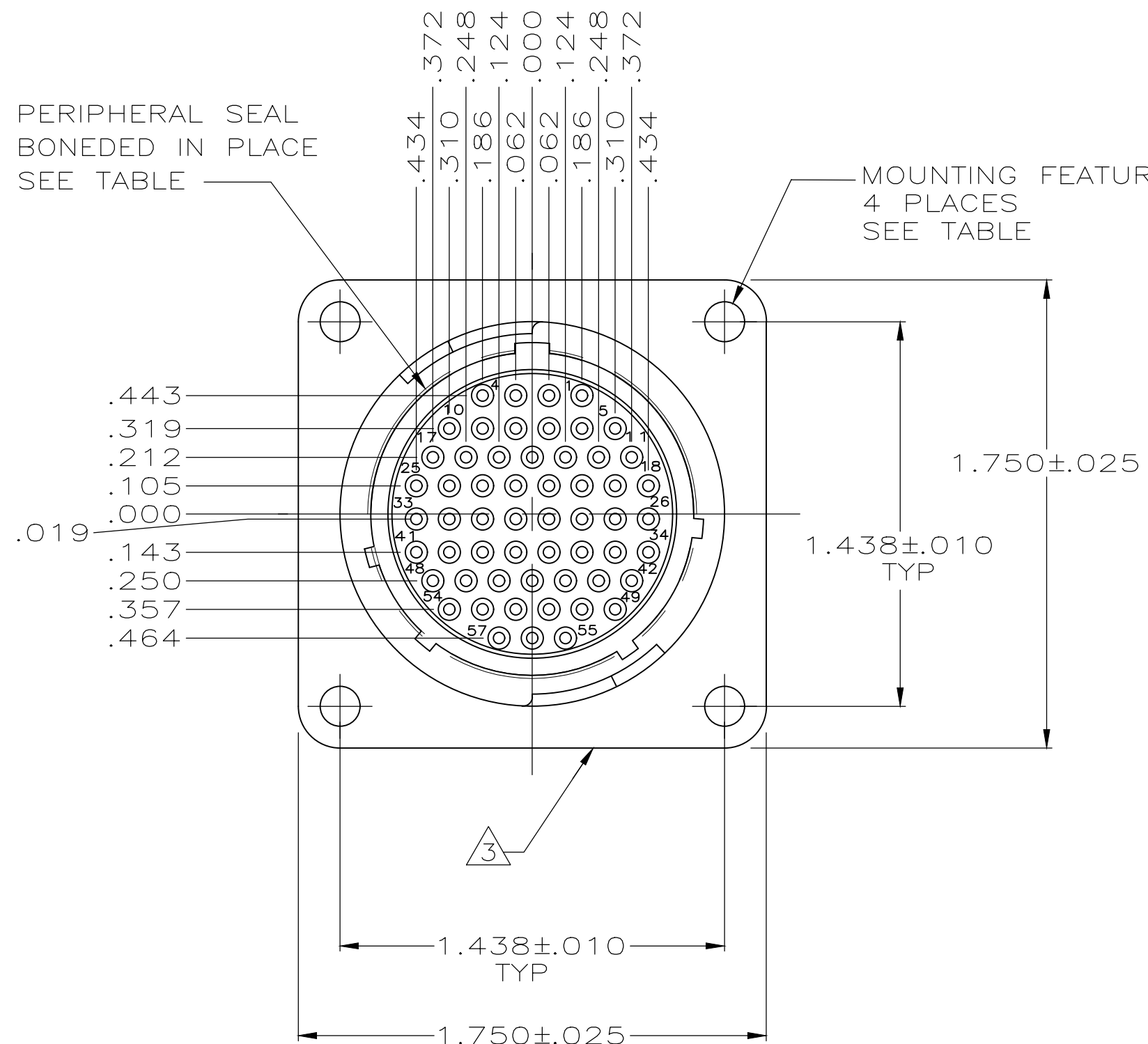


REVISIONS					
P	LTR	DESCRIPTION	DATE	DWN	APVD
L1		REVISED PER ECO-20-005564	27APR2020	RK	MZ



PANEL CUTOUT  
SCALE 1:1

NOTES:

- CONTACT CAVITIES IDENTIFIED BY CHARACTERS ON FRONT AND REAR FACES OF CONNECTOR.
- WILL ACCEPT (57) SIZE 20 SOCKET CONTACTS.
- PART NUMBER THIS AREA.
- #4 FASTENER RECOMMENDED FOR MOUNTING.
- OBSOLETE PARTS: OBSOLETE CIS STREAMLINING PER D.RENAUD/D.SINISI
- MATERIALS  
HOUSING: PA66, BLACK  
PERIPHERAL SEAL: NITRILE BUTADIENE RUBBER, BLACK  
THREADED INSERT: BRASS

OBSOLETE	#4-40 THREADED INSERTS	NO	206438-4
	Ø.150 MOUNTING HOLES	YES	206438-3
	Ø.150 MOUNTING HOLES	NO	206438-2
	Ø.150 MOUNTING HOLES	NO	206438-1
	MOUNTING FEATURES	PERIPHERAL SEAL	PART NUMBER

THIS DRAWING IS A CONTROLLED DOCUMENT.		DWN A.STAUB BG 4/3/91	TE Connectivity	
		CHK W.G.LENKER 7-27-92		
DIMENSIONS: INCHES	TOLERANCES UNLESS OTHERWISE SPECIFIED:	APVD -	NAME RECEPTACLE ASSEMBLY, REV SEX, SERIES 2, 23-57, CPC	
	0 PLC ± - 1 PLC ± - 2 PLC ± - 3 PLC ± .005 4 PLC ± - ANGLES ± -	PRODUCT SPEC 108-10024	SIZE A2	CAGE CODE 00779
MATERIAL 	FINISH -	APPLICATION SPEC -	DRAWING NO C=206438	RESTRICTED TO -
		WEIGHT -	SCALE 2:1	SHEET 1 OF 1
		CUSTOMER DRAWING	REV L1	