

# LMP2011 Single/LMP2012 Dual High Precision, Rail-to-Rail Output Operational Amplifier

## 1 Features

(For  $V_S = 5\text{ V}$ , Typical Unless Otherwise Noted)

- Low Ensured  $V_{OS}$  Over Temperature  $60\ \mu\text{V}$
- Low Noise with No  $1/f$   $35\text{ nV}/\sqrt{\text{Hz}}$
- High CMRR 130 dB
- High PSRR 120 dB
- High  $A_{VOL}$  130 dB
- Wide Gain-Bandwidth Product 3 MHz
- High Slew Rate  $4\ \text{V}/\mu\text{s}$
- Low Supply Current  $930\ \mu\text{A}$
- Rail-to-Rail Output  $30\ \text{mV}$
- No External Capacitors Required

## 2 Applications

- Precision Instrumentation Amplifiers
- Thermocouple Amplifiers
- Strain Gauge Bridge Amplifier

## 3 Description

The LMP201x series are the first members of TI's new LMP™ precision amplifier family. The LMP201x series offers unprecedented accuracy and stability in space-saving miniature packaging, offered at an affordable price. This device utilizes patented auto-zero techniques to measure and continually correct the input offset error voltage. The result is an amplifier which is ultra-stable over time and temperature. It has excellent CMRR and PSRR ratings, and does not exhibit the familiar  $1/f$  voltage and current noise increase that plagues traditional amplifiers. The combination of the LMP201x characteristics makes it a good choice for transducer amplifiers, high gain configurations, ADC buffer amplifiers, DAC I-V conversion, and any other 2.7-V to 5-V application requiring precision and long term stability.

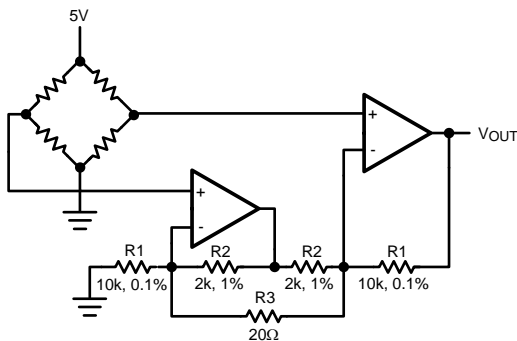
Other useful benefits of the LMP201x are rail-to-rail output, a low supply current of  $930\ \mu\text{A}$ , and wide gain-bandwidth product of 3 MHz. These versatile features found in the LMP201x provide high performance and ease of use.

### Device Information<sup>(1)</sup>

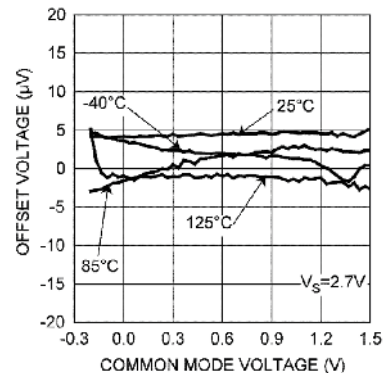
| PART NUMBER | PACKAGE    | BODY SIZE (NOM)   |
|-------------|------------|-------------------|
| LMP2011     | SOIC (8)   | 4.90 mm × 3.91 mm |
|             | SOT-23 (5) | 2.90 mm × 1.60 mm |
| LMP2012     | SOIC (8)   | 4.90 mm × 3.91 mm |
|             | VSSOP (8)  | 3.00 mm × 3.00 mm |

(1) For all available packages, see the orderable addendum at the end of the data sheet.

**Bridge Amplifier**



**Offset Voltage vs Common Mode Voltage**



## Table of Contents

|           |   |           |  |  |  |
|-----------|---|-----------|--|--|--|
| <b>1</b>  | <b>Features</b> .....   | <b>1</b>  |  |  |  |
| <b>2</b>  | <b>Applications</b> .....                                     | <b>1</b>  |  |  |  |
| <b>3</b>  | <b>Description</b> .....                                      | <b>1</b>  |  |  |  |
| <b>4</b>  | <b>Revision History</b> .....                                 | <b>2</b>  |  |  |  |
| <b>5</b>  | <b>Pin Configuration and Functions</b> .....                  | <b>3</b>  |  |  |  |
| <b>6</b>  | <b>Specifications</b> .....                                   | <b>4</b>  |  |  |  |
|           | 6.1 Absolute Maximum Ratings .....                            | 4         |  |  |  |
|           | 6.2 ESD Ratings .....   | 4         |  |  |  |
|           | 6.3 Recommended Operating Conditions .....                    | 4         |  |  |  |
|           | 6.4 Thermal Information: LMP2011 .....                        | 4         |  |  |  |
|           | 6.5 Thermal Information: LMP2012 .....                        | 5         |  |  |  |
|           | 6.6 2.7-V DC Electrical Characteristics .....                 | 5         |  |  |  |
|           | 6.7 2.7-V AC Electrical Characteristics .....                 | 6         |  |  |  |
|           | 6.8 5-V DC Electrical Characteristics .....                   | 7         |  |  |  |
|           | 6.9 5-V AC Electrical Characteristics .....                   | 8         |  |  |  |
|           | 6.10 Typical Characteristics .....                            | 9         |  |  |  |
| <b>7</b>  | <b>Detailed Description</b> .....                             | <b>14</b> |  |  |  |
|           | 7.1 Overview .....  | 14        |  |  |  |
|           | 7.2 Functional Block Diagram .....                            | 14        |  |  |  |
|           | 7.3 Feature Description .....                                 | 14        |  |  |  |
|           | 7.4 Device Functional Modes .....                             | 15        |  |  |  |
| <b>8</b>  | <b>Application and Implementation</b> .....                   | <b>17</b> |  |  |  |
|           | 8.1 Application Information .....                             | 17        |  |  |  |
|           | 8.2 Typical Applications .....                                | 17        |  |  |  |
| <b>9</b>  | <b>Power Supply Recommendations</b> .....                     | <b>20</b> |  |  |  |
| <b>10</b> | <b>Layout</b> .....   | <b>20</b> |  |  |  |
|           | 10.1 Layout Guidelines .....                                  | 20        |  |  |  |
|           | 10.2 Layout Example .....                                     | 21        |  |  |  |
| <b>11</b> | <b>Device and Documentation Support</b> .....                 | <b>22</b> |  |  |  |
|           | 11.1 Device Support .....                                     | 22        |  |  |  |
|           | 11.2 Documentation Support .....                              | 22        |  |  |  |
|           | 11.3 Related Links .....                                      | 22        |  |  |  |
|           | 11.4 Community Resources .....                                | 22        |  |  |  |
|           | 11.5 Trademarks .....   | 22        |  |  |  |
|           | 11.6 Electrostatic Discharge Caution .....                    | 22        |  |  |  |
|           | 11.7 Glossary .....   | 23        |  |  |  |
| <b>12</b> | <b>Mechanical, Packaging, and Orderable Information</b> ..... | <b>23</b> |  |  |  |

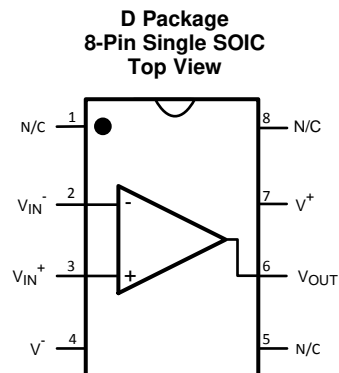
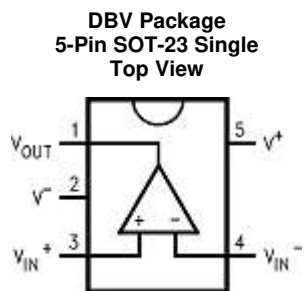
## 4 Revision History

NOTE: Page numbers for previous revisions may differ from page numbers in the current version.

| <b>Changes from Revision K (March 2013) to Revision L</b>  | <b>Page</b> |
|--|-------------|
| <ul style="list-style-type: none"> <li>• Added <i>Pin Configuration and Functions</i> section, <i>Storage Conditions</i> table, <i>ESD Ratings</i> table, <i>Feature Description</i> section, <i>Device Functional Modes</i>, <i>Application and Implementation</i> section, <i>Power Supply Recommendations</i> section, <i>Layout</i> section, <i>Device and Documentation Support</i> section, and <i>Mechanical, Packaging, and Orderable Information</i> section .....</li> </ul> | <b>1</b>    |

| <b>Changes from Revision J (March 2013) to Revision K</b>  | <b>Page</b> |
|--|-------------|
| <ul style="list-style-type: none"> <li>• Changed layout of National Data Sheet to TI format .....</li> </ul> | <b>19</b>   |

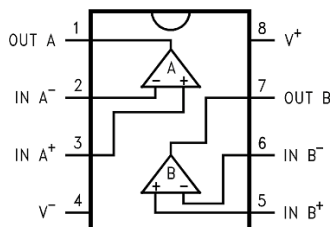
## 5 Pin Configuration and Functions



**Pin Functions: LMP2011**

| NAME | PIN NO. |   | I/O | DESCRIPTION                     |
|------|---------|---|-----|---------------------------------|
|      | DBV     | D |     |                                 |
| -IN  | 4       | 3 | O   | Inverting input                 |
| +IN  | 3       | 2 | I   | Non-Inverting input             |
| N/C  | -       | 1 | -   | No Internal Connection          |
| N/C  | -       | 5 | -   | No Internal Connection          |
| N/C  | -       | 8 | -   | No Internal Connection          |
| OUT  | 1       | 6 | I   | Output                          |
| V-   | 2       | 4 | P   | Negative (lowest) power supply  |
| V+   | 5       | 7 | P   | Positive (highest) power supply |

**D or DGK Package  
8-Pin Dual SOIC and VSSOP  
Top View**



**Pin Functions: LMP2012**

| NAME  | PIN NO. |  | I/O | DESCRIPTION                     |
|-------|---------|--|-----|---------------------------------|
|       | D, DGK  |  |     |                                 |
| -IN A | 2       |  | I   | Inverting input, channel A      |
| +IN A | 3       |  | I   | Non-Inverting input, channel A  |
| -IN B | 6       |  | I   | Inverting input, channel B      |
| +IN B | 5       |  | I   | Non-Inverting input, channel B  |
| OUT A | 1       |  | O   | Output, channel A               |
| OUT B | 7       |  | O   | Output, channel B               |
| V-    | 4       |  | P   | Negative (lowest) power supply  |
| V+    | 8       |  | P   | Positive (highest) power supply |

## 6 Specifications

### 6.1 Absolute Maximum Ratings

 See <sup>(1)(2)</sup>

|                                      | MIN                     | MAX                     | UNIT |
|--------------------------------------|-------------------------|-------------------------|------|
| Supply Voltage                       |                         | 5.8                     | V    |
| Common-Mode Input Voltage            | (V <sup>-</sup> ) - 0.3 | (V <sup>+</sup> ) + 0.3 | V    |
| Lead Temperature (soldering 10 sec.) |                         | 300                     | °C   |
| Differential Input Voltage           | ±Supply Voltage         |                         |      |
| Current at Input Pin                 | 30                      | 30                      | mA   |
| Current at Output Pin                | 30                      | 30                      | mA   |
| Current at Power Supply Pin          | 50                      | 30                      | mA   |
| Storage Temperature                  | -65                     | 150                     | °C   |

- (1) Absolute Maximum Ratings indicate limits beyond which damage may occur. Operating Ratings indicate conditions for which the device is intended to be functional, but specific performance is not ensured. For ensured specifications and test conditions, see the Electrical Characteristics.
- (2) If Military/Aerospace specified devices are required, please contact the Texas Instruments Sales Office/ Distributors for availability and specifications.

### 6.2 ESD Ratings

|  |   | VALUE | UNIT |
|--|---|-------|------|
| V <sub>(ESD)</sub> Electrostatic discharge | Human body model (HBM), per ANSI/ESDA/JEDEC JS-001 <sup>(1)</sup> | ±2000 | V    |
|  | Machine model   | ±200  |      |

- (1) JEDEC document JEP155 states that 500-V HBM allows safe manufacturing with a standard ESD control process.

### 6.3 Recommended Operating Conditions

|                             | MIN | MAX  | UNIT |
|-----------------------------|-----|------|------|
| Supply Voltage              | 2.7 | 5.25 | V    |
| Operating Temperature Range | -40 | 125  | °C   |

### 6.4 Thermal Information: LMP2011

| THERMAL METRIC <sup>(1)</sup>                                   | LMP2011  |              | UNIT |
|---|----------|--------------|------|
|   | D (SOIC) | DBV (SOT-23) |      |
|   | 8 PINS   | 5 PINS       |      |
| R <sub>θJA</sub> Junction-to-ambient thermal resistance         | 119      | 164          | °C/W |
| R <sub>θJC(top)</sub> Junction-to-case (top) thermal resistance | 66       | 116          | °C/W |
| R <sub>θJB</sub> Junction-to-board thermal resistance           | 60       | 28           | °C/W |
| ψ <sub>JT</sub> Junction-to-top characterization parameter      | 17       | 13           | °C/W |
| ψ <sub>JB</sub> Junction-to-board characterization parameter    | 59       | 27           | °C/W |

- (1) For more information about traditional and new thermal metrics, see the *Semiconductor and IC Package Thermal Metrics* application report, [SPRA953](#).

## 6.5 Thermal Information: LMP2012

| THERMAL METRIC <sup>(1)</sup> |  | LMP2012  |             | UNIT |
|-------------------------------|--|----------|-------------|------|
|                               |  | D (SOIC) | DGK (VSSOP) |      |
|                               |  | 8 PINS   | 8 PINS      |      |
| R <sub>θJA</sub>              | Junction-to-ambient thermal resistance       | 110      | 157         | °C/W |
| R <sub>θJC(top)</sub>         | Junction-to-case (top) thermal resistance    | 50       | 51          | °C/W |
| R <sub>θJB</sub>              | Junction-to-board thermal resistance         | 52       | 77          | °C/W |
| ψ <sub>JT</sub>               | Junction-to-top characterization parameter   | 8        | 5           | °C/W |
| ψ <sub>JB</sub>               | Junction-to-board characterization parameter | 51       | 75          | °C/W |

(1) For more information about traditional and new thermal metrics, see the *Semiconductor and IC Package Thermal Metrics* application report, [SPRA953](#).

## 6.6 2.7-V DC Electrical Characteristics

Unless otherwise specified, all limits ensured for T<sub>J</sub> = 25°C, V<sup>+</sup> = 2.7 V, V<sup>-</sup> = 0 V, V<sub>CM</sub> = 1.35 V, V<sub>O</sub> = 1.35 V, and R<sub>L</sub> > 1 MΩ.

| PARAMETER                      |                                     | TEST CONDITIONS  |                          | MIN <sup>(1)</sup> | TYP <sup>(2)</sup> | MAX <sup>(1)</sup> | UNIT     |
|--------------------------------|-------------------------------------|--|--------------------------|--------------------|--------------------|--------------------|----------|
| V <sub>OS</sub>                | Input Offset Voltage (LMP2011 only) | T <sub>J</sub> = 25°C  |                          |                    | 0.8                | 25                 | μV       |
|                                |                                     | The temperature extremes                                       |                          |                    |                    | 60                 |          |
|                                | Input Offset Voltage (LMP2012 only) | T <sub>J</sub> = 25°C  |                          |                    | 0.8                | 36                 |          |
|                                |                                     | The temperature extremes                                       |                          |                    |                    | 60                 |          |
| Offset Calibration Time        | T <sub>J</sub> = 25°C               |  |                          |                    | 0.5                | 10                 | ms       |
|                                | The temperature extremes            |  |                          |                    |                    | 12                 |          |
| TCV <sub>OS</sub>              | Input Offset Voltage                |  |                          |                    | 0.015              |                    | μV/°C    |
|                                | Long-Term Offset Drift              |  |                          |                    | 0.006              |                    | μV/month |
| Lifetime V <sub>OS</sub> Drift |                                     |  |                          |                    | 2.5                |                    | μV       |
| I <sub>IN</sub>                | Input Current                       |  |                          |                    | -3                 |                    | pA       |
| I <sub>OS</sub>                | Input Offset Current                |  |                          |                    | 6                  |                    | pA       |
| R <sub>IND</sub>               | Input Differential Resistance       |  |                          |                    | 9                  |                    | MΩ       |
| CMRR                           | Common Mode Rejection Ratio         | -0.3 ≤ V <sub>CM</sub> ≤ 0.9 V,<br>0 ≤ V <sub>CM</sub> ≤ 0.9 V | T <sub>J</sub> = 25°C    |                    | 95                 | 130                | dB       |
|                                |                                     |  | The temperature extremes |                    |                    | 90                 |          |
| PSRR                           | Power Supply Rejection Ratio        | T <sub>J</sub> = 25°C  |                          |                    | 95                 | 120                | dB       |
|                                |                                     | The temperature extremes                                       |                          |                    | 90                 |                    |          |
| A <sub>VOL</sub>               | Open Loop Voltage Gain              | R <sub>L</sub> = 10 kΩ   | T <sub>J</sub> = 25°C    |                    | 95                 | 130                | dB       |
|                                |                                     |  | The temperature extremes |                    |                    | 90                 |          |
|                                |                                     | R <sub>L</sub> = 2 kΩ  | T <sub>J</sub> = 25°C    |                    | 90                 | 124                |          |
|                                |                                     |  | The temperature extremes |                    |                    | 85                 |          |

(1) Limits are 100% production tested at 25°C. Limits over the operating temperature range are ensured through correlations using statistical quality control (SQC) method.

(2) Typical values represent the most likely parametric norm.

## 2.7-V DC Electrical Characteristics (continued)

Unless otherwise specified, all limits ensured for  $T_J = 25^\circ\text{C}$ ,  $V^+ = 2.7\text{ V}$ ,  $V^- = 0\text{ V}$ ,  $V_{\text{CM}} = 1.35\text{ V}$ ,  $V_O = 1.35\text{ V}$ , and  $R_L > 1\text{ M}\Omega$ .

| PARAMETER                           |   | TEST CONDITIONS   |                          | MIN <sup>(1)</sup> | TYP <sup>(2)</sup> | MAX <sup>(1)</sup> | UNIT |   |
|-------------------------------------|---|---|--------------------------|--------------------|--------------------|--------------------|------|---|
| $V_O$                               | Output Swing<br>(LMP2011 only)  | $R_L = 10\text{ k}\Omega$ to $1.35\text{ V}$ ,<br>$V_{\text{IN}}(\text{diff}) = \pm 0.5\text{ V}$ | $T_J = 25^\circ\text{C}$ | 2.665              | 2.68               |                    | V    |   |
|                                     |   |   | The temperature extremes | 2.655              |                    |                    |      |   |
|                                     |   |   | $T_J = 25^\circ\text{C}$ |                    | 0.033              | 0.060              |      |   |
|                                     |   |   | The temperature extremes |                    |                    | 0.075              |      |   |
|                                     |   |   | $T_J = 25^\circ\text{C}$ | 2.630              | 2.65               |                    |      | V |
|                                     |   |   | The temperature extremes | 2.615              |                    |                    |      |   |
|                                     | Output Swing<br>(LMP2012 only)  | $R_L = 10\text{ k}\Omega$ to $1.35\text{ V}$ ,<br>$V_{\text{IN}}(\text{diff}) = \pm 0.5\text{ V}$ | $T_J = 25^\circ\text{C}$ | 2.64               | 2.68               |                    | V    |   |
|                                     |   |   | The temperature extremes | 2.63               |                    |                    |      |   |
|                                     |   |   | $T_J = 25^\circ\text{C}$ |                    | 0.033              | 0.060              |      |   |
|                                     |   |   | The temperature extremes |                    |                    | 0.075              |      |   |
|                                     |   |   | $T_J = 25^\circ\text{C}$ | 2.615              | 2.65               |                    |      | V |
|                                     |   |   | The temperature extremes | 2.6                |                    |                    |      |   |
| Output Current<br>$I_O$             | Sourcing, $V_O = 0\text{ V}$ ,<br>$V_{\text{IN}}(\text{diff}) = \pm 0.5\text{ V}$ | $T_J = 25^\circ\text{C}$  | 5                        | 12                 |                    | mA                 |      |   |
|                                     |   | The temperature extremes  | 3                        |                    |                    |                    |      |   |
|                                     |   | $T_J = 25^\circ\text{C}$  | 5                        | 18                 |                    |                    |      |   |
|                                     |   | The temperature extremes  | 3                        |                    |                    |                    |      |   |
| Supply Current per Channel<br>$I_S$ |   | $T_J = 25^\circ\text{C}$  |                          | 0.919              | 1.20               | mA                 |      |   |
|                                     |   | The temperature extremes  |                          |                    | 1.50               |                    |      |   |

## 6.7 2.7-V AC Electrical Characteristics

$T_J = 25^\circ\text{C}$ ,  $V^+ = 2.7\text{ V}$ ,  $V^- = 0\text{ V}$ ,  $V_{\text{CM}} = 1.35\text{ V}$ ,  $V_O = 1.35\text{ V}$ , and  $R_L > 1\text{ M}\Omega$ .

| PARAMETER          |                              | TEST CONDITIONS                   | MIN <sup>(1)</sup> | TYP <sup>(2)</sup> | MAX <sup>(1)</sup> | UNIT                   |
|--------------------|------------------------------|-----------------------------------|--------------------|--------------------|--------------------|------------------------|
| GBW                | Gain-Bandwidth Product       |                                   |                    | 3                  |                    | MHz                    |
| SR                 | Slew Rate                    |                                   |                    | 4                  |                    | V/ $\mu\text{s}$       |
| $\theta_m$         | Phase Margin                 |                                   |                    | 60                 |                    | Deg                    |
| $G_m$              | Gain Margin                  |                                   |                    | -14                |                    | dB                     |
| $e_n$              | Input-Referred Voltage Noise |                                   |                    | 35                 |                    | nV/ $\sqrt{\text{Hz}}$ |
| $e_{\text{n-p-p}}$ | Input-Referred Voltage Noise | $R_S = 100\ \Omega$ , DC to 10 Hz |                    | 850                |                    | nV <sub>pp</sub>       |
| $t_{\text{rec}}$   | Input Overload Recovery Time |                                   |                    | 50                 |                    | ms                     |

- (1) Limits are 100% production tested at  $25^\circ\text{C}$ . Limits over the operating temperature range are ensured through correlations using statistical quality control (SQC) method.
- (2) Typical values represent the most likely parametric norm.

## 6.8 5-V DC Electrical Characteristics

Unless otherwise specified, all limits ensured for  $T_J = 25^\circ\text{C}$ ,  $V^+ = 5\text{ V}$ ,  $V^- = 0\text{ V}$ ,  $V_{CM} = 2.5\text{ V}$ ,  $V_O = 2.5\text{ V}$ , and  $R_L > 1\text{ M}\Omega$ .

| PARAMETER  |                                     | TEST CONDITIONS   |                          | MIN <sup>(1)</sup> | TYP <sup>(2)</sup> | MAX <sup>(1)</sup>           | UNIT          |
|--|-------------------------------------|---|--------------------------|--------------------|--------------------|------------------------------|---------------|
| $V_{OS}$   | Input Offset Voltage (LMP2011 only) | $T_J = 25^\circ\text{C}$  |                          |                    | 0.12               | 25                           | $\mu\text{V}$ |
|  |                                     | The temperature extremes  |                          |                    |                    | 60                           |               |
|  | Input Offset Voltage (LMP2012 only) | $T_J = 25^\circ\text{C}$  |                          |                    | 0.12               | 36                           |               |
|  |                                     | The temperature extremes  |                          |                    |                    | 60                           |               |
| Offset Calibration Time  | $T_J = 25^\circ\text{C}$            |   |                          | 0.5                | 10                 | ms                           |               |
|  | The temperature extremes            |   |                          |                    | 12                 |                              |               |
| $TCV_{OS}$   | Input Offset Voltage                |   |                          | 0.015              |                    | $\mu\text{V}/^\circ\text{C}$ |               |
|  | Long-Term Offset Drift              |   |                          | 0.006              |                    | $\mu\text{V}/\text{month}$   |               |
| Lifetime $V_{OS}$ Drift  |                                     |   |                          | 2.5                |                    | $\mu\text{V}$                |               |
| $I_{IN}$   | Input Current                       |   |                          | -3                 |                    | pA                           |               |
| $I_{OS}$   | Input Offset Current                |   |                          | 6                  |                    | pA                           |               |
| $R_{IND}$  | Input Differential Resistance       |   |                          | 9                  |                    | $\text{M}\Omega$             |               |
| CMRR   | Common Mode Rejection Ratio         | $-0.3 \leq V_{CM} \leq 3.2$ ,<br>$0 \leq V_{CM} \leq 3.2$                                 | $T_J = 25^\circ\text{C}$ | 100                | 130                | dB                           |               |
|  |                                     |   | The temperature extremes | 90                 |                    |                              |               |
| PSRR   | Power Supply Rejection Ratio        | $T_J = 25^\circ\text{C}$  |                          | 95                 | 120                | dB                           |               |
|  |                                     | The temperature extremes  |                          | 90                 |                    |                              |               |
| $A_{VOL}$  | Open Loop Voltage Gain              | $R_L = 10\text{ k}\Omega$   | $T_J = 25^\circ\text{C}$ | 105                | 130                | dB                           |               |
|  |                                     |   | The temperature extremes |                    | 100                |                              |               |
|  |                                     | $R_L = 2\text{ k}\Omega$  | $T_J = 25^\circ\text{C}$ | 95                 | 132                |                              |               |
|  |                                     |   | The temperature extremes |                    | 90                 |                              |               |
| $V_O$  | Output Swing (LMP2011 only)         | $R_L = 10\text{ k}\Omega$ to $2.5\text{ V}$ ,<br>$V_{IN}(\text{diff}) = \pm 0.5\text{ V}$ | $T_J = 25^\circ\text{C}$ | 4.96               | 4.978              | V                            |               |
|  |                                     |   | The temperature extremes |                    | 4.95               |                              |               |
|  |                                     |   | $T_J = 25^\circ\text{C}$ |                    | 0.040              |                              | 0.070         |
|  |                                     |   | The temperature extremes |                    |                    |                              | 0.085         |
|  |                                     |   | $T_J = 25^\circ\text{C}$ | 4.895              | 4.919              |                              | V             |
|  |                                     |   | The temperature extremes |                    | 4.875              |                              |               |
|  | $T_J = 25^\circ\text{C}$            |   | 0.091                    | 0.115              |                    |                              |               |
|  | The temperature extremes            |   |                          | 0.140              |                    |                              |               |
|  | Output Swing (LMP2012 only)         | $R_L = 10\text{ k}\Omega$ to $2.5\text{ V}$ ,<br>$V_{IN}(\text{diff}) = \pm 0.5\text{ V}$ | $T_J = 25^\circ\text{C}$ | 4.92               | 4.978              | V                            |               |
|  |                                     |   | The temperature extremes |                    | 4.91               |                              |               |
|  |                                     |   | $T_J = 25^\circ\text{C}$ |                    | 0.040              |                              | 0.080         |
|  |                                     |   | The temperature extremes |                    |                    |                              | 0.095         |
| $R_L = 2\text{ k}\Omega$ to $2.5\text{ V}$ ,<br>$V_{IN}(\text{diff}) = \pm 0.5\text{ V}$ |                                     |   | $T_J = 25^\circ\text{C}$ | 4.875              | 4.919              |                              | V             |
|  |                                     |   | The temperature extremes |                    | 4.855              |                              |               |
|  | $T_J = 25^\circ\text{C}$            |   | 0.0.91                   | 0.125              |                    |                              |               |
|  | The temperature extremes            |   |                          | 0.150              |                    |                              |               |
| $I_O$  | Output Current                      | Sourcing, $V_O = 0\text{ V}$ ,<br>$V_{IN}(\text{diff}) = \pm 0.5\text{ V}$                | $T_J = 25^\circ\text{C}$ | 8                  | 15                 | mA                           |               |
|  |                                     |   | The temperature extremes |                    | 6                  |                              |               |
|  |                                     | Sinking, $V_O = 5\text{ V}$ ,<br>$V_{IN}(\text{diff}) = \pm 0.5\text{ V}$                 | $T_J = 25^\circ\text{C}$ | 8                  | 17                 |                              |               |
|  |                                     |   | The temperature extremes |                    | 6                  |                              |               |
| $I_S$  | Supply Current per Channel          | $T_J = 25^\circ\text{C}$  |                          | 0.930              | 1.20               | mA                           |               |
|  |                                     | The temperature extremes  |                          |                    | 1.50               |                              |               |

(1) Limits are 100% production tested at  $25^\circ\text{C}$ . Limits over the operating temperature range are ensured through correlations using statistical quality control (SQC) method.

(2) Typical values represent the most likely parametric norm.

## 6.9 5-V AC Electrical Characteristics

 $T_J = 25^\circ\text{C}$ ,  $V^+ = 5\text{ V}$ ,  $V^- = 0\text{ V}$ ,  $V_{\text{CM}} = 2.5\text{ V}$ ,  $V_O = 2.5\text{ V}$ , and  $R_L > 1\text{ M}\Omega$ .

| PARAMETER         |                              | TEST CONDITIONS                   | MIN <sup>(1)</sup> | TYP <sup>(2)</sup> | MAX <sup>(1)</sup> | UNIT                   |
|-------------------|------------------------------|-----------------------------------|--------------------|--------------------|--------------------|------------------------|
| GBW               | Gain-Bandwidth Product       |                                   |                    | 3                  |                    | MHz                    |
| SR                | Slew Rate                    |                                   |                    | 4                  |                    | V/ $\mu\text{s}$       |
| $\theta_m$        | Phase Margin                 |                                   |                    | 60                 |                    | deg                    |
| $G_m$             | Gain Margin                  |                                   |                    | -15                |                    | dB                     |
| $e_n$             | Input-Referred Voltage Noise |                                   |                    | 35                 |                    | nV/ $\sqrt{\text{Hz}}$ |
| $e_{n\text{p-p}}$ | Input-Referred Voltage Noise | $R_S = 100\ \Omega$ , DC to 10 Hz |                    | 850                |                    | nV <sub>pp</sub>       |
| $t_{\text{rec}}$  | Input Overload Recovery Time |                                   |                    | 50                 |                    | ms                     |

- (1) Limits are 100% production tested at 25°C. Limits over the operating temperature range are ensured through correlations using statistical quality control (SQC) method.
- (2) Typical values represent the most likely parametric norm.



### 6.10 Typical Characteristics

$T_A=25^\circ\text{C}$ ,  $V_S=5\text{ V}$  unless otherwise specified.

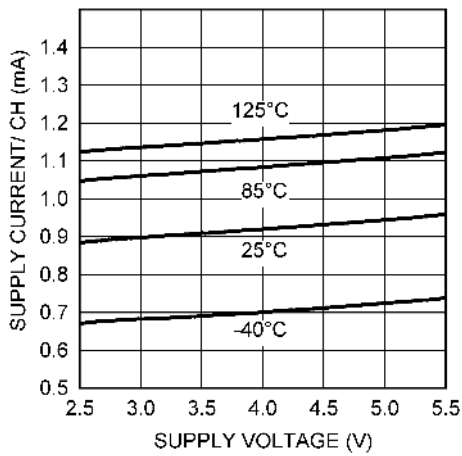


Figure 1. Supply Current vs Supply Voltage

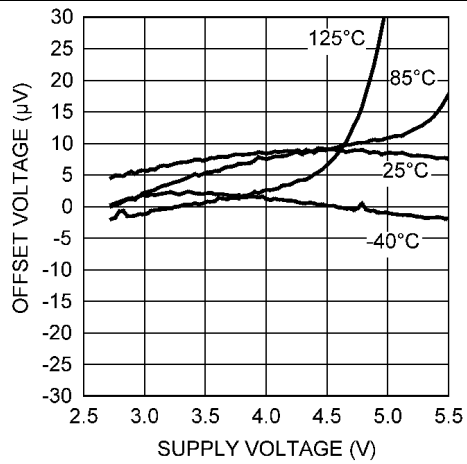


Figure 2. Offset Voltage vs Supply Voltage

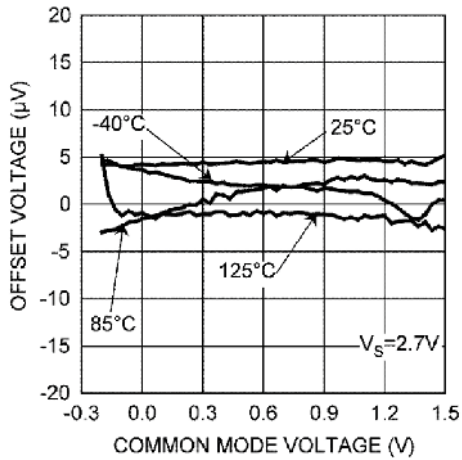


Figure 3. Offset Voltage vs Common Mode

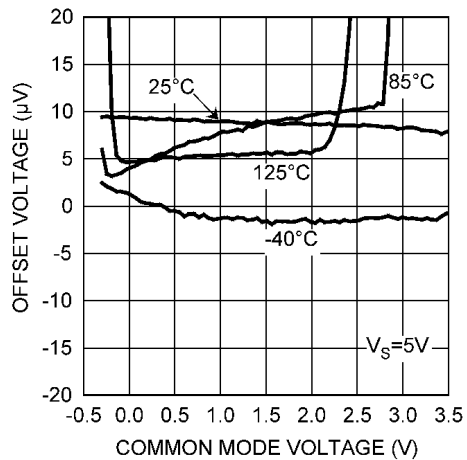


Figure 4. Offset Voltage vs Common Mode

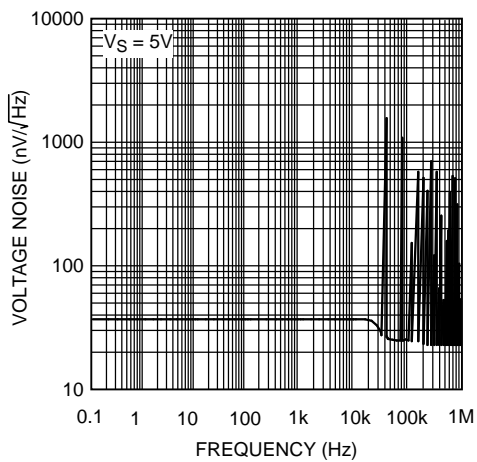


Figure 5. Voltage Noise vs Frequency

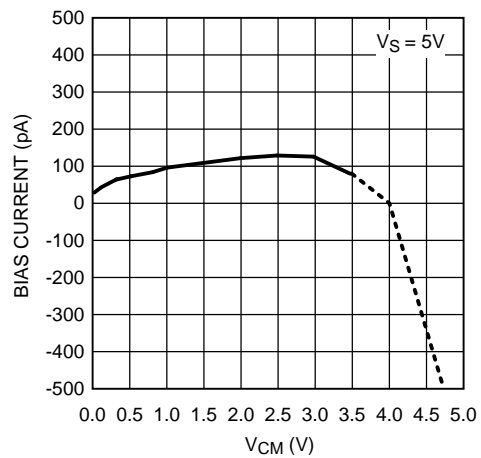


Figure 6. Input Bias Current vs Common Mode

Typical Characteristics (continued)

$T_A=25^{\circ}\text{C}$ ,  $V_S=5\text{ V}$  unless otherwise specified.

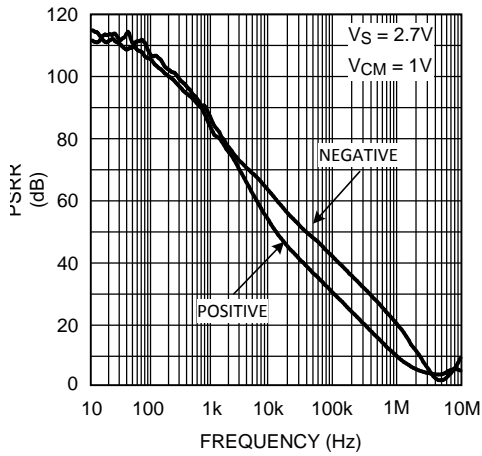


Figure 7. PSRR vs Frequency

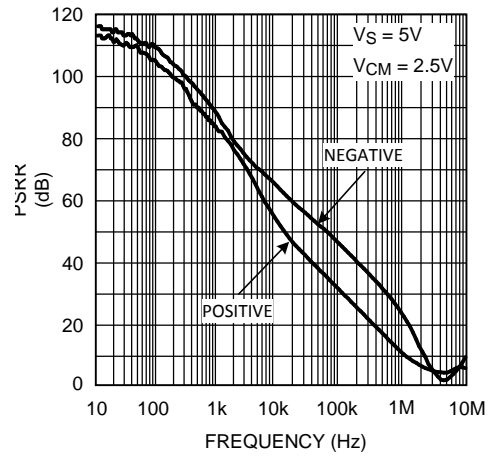


Figure 8. PSRR vs Frequency

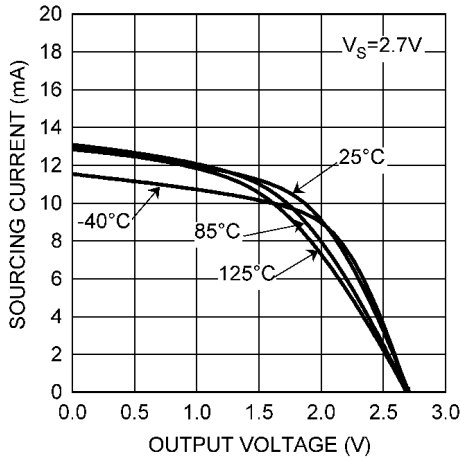


Figure 9. Output Sourcing at 2.7 V

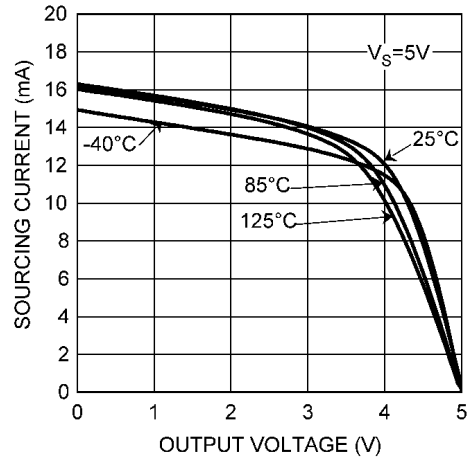


Figure 10. Output Sourcing at 5 V

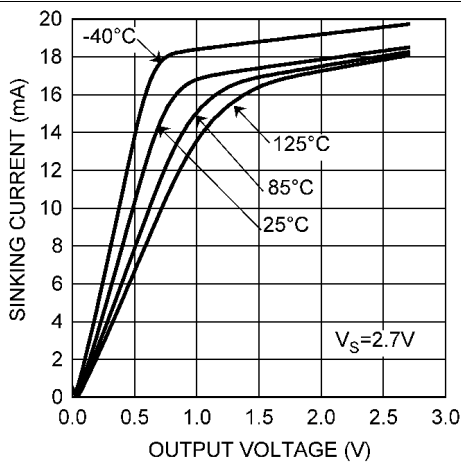


Figure 11. Output Sinking at 2.7 V

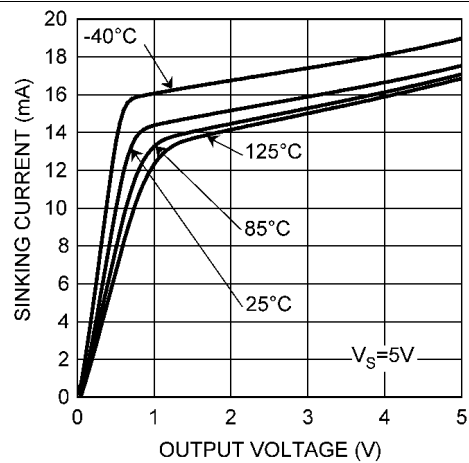


Figure 12. Output Sinking at 5 V

Typical Characteristics (continued)

$T_A=25^\circ\text{C}$ ,  $V_S=5\text{ V}$  unless otherwise specified.

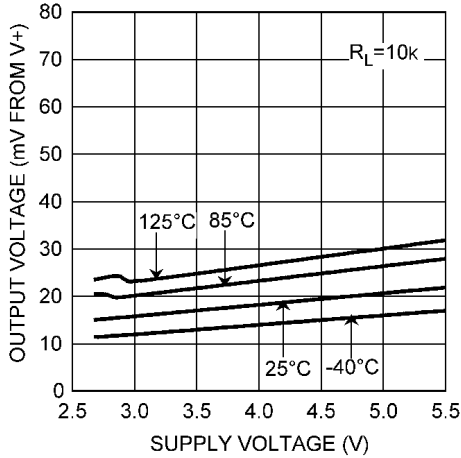


Figure 13. Maximum Output Swing vs Supply Voltage

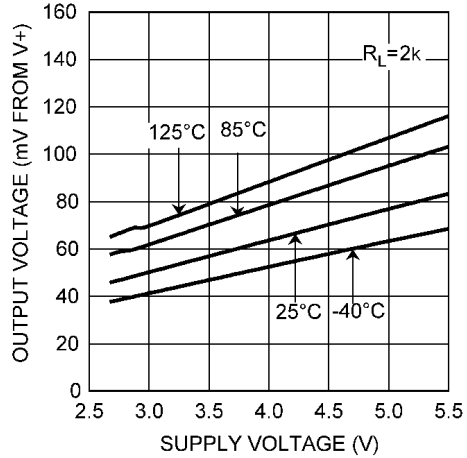


Figure 14. Maximum Output Swing vs Supply Voltage

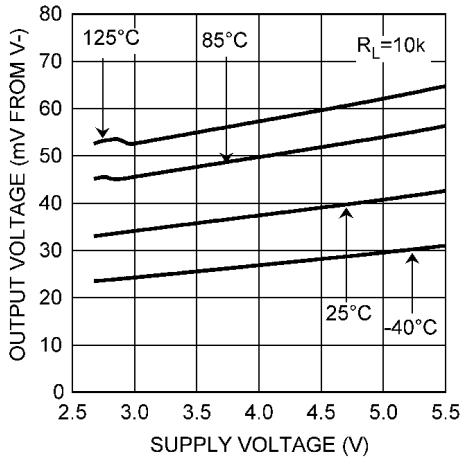


Figure 15. Minimum Output Swing vs Supply Voltage

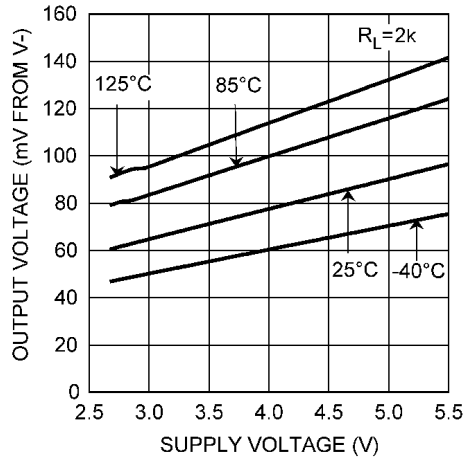


Figure 16. Minimum Output Swing vs Supply Voltage

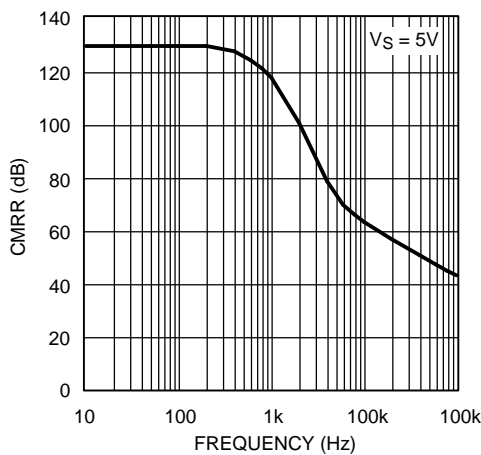


Figure 17. CMRR vs Frequency

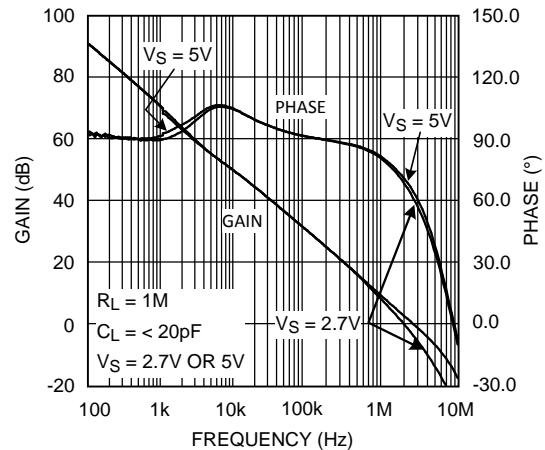


Figure 18. Open Loop Gain and Phase vs Supply Voltage

Typical Characteristics (continued)

$T_A=25^{\circ}\text{C}$ ,  $V_S = 5\text{ V}$  unless otherwise specified.

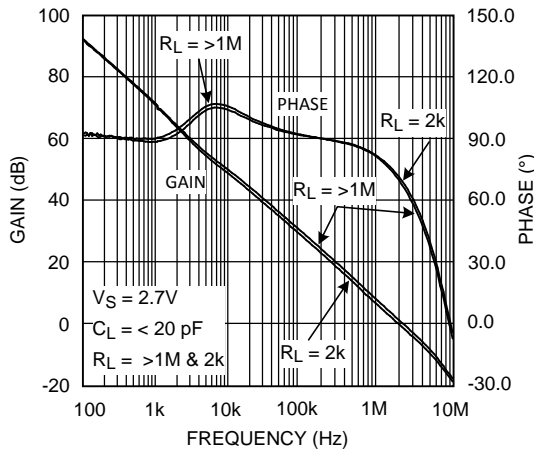


Figure 19. Open Loop Gain and Phase vs  $R_L$  at 2.7 V

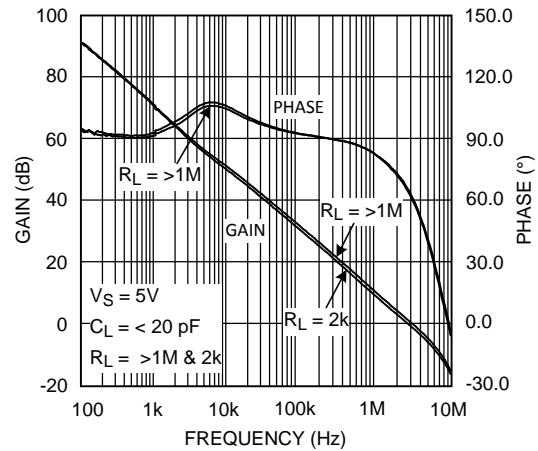


Figure 20. Open Loop Gain and Phase vs  $R_L$  at 5 V

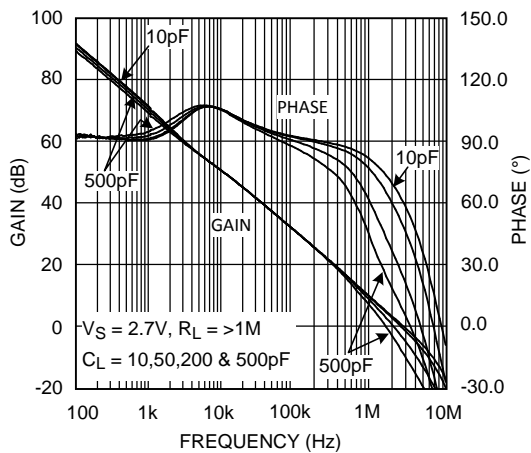


Figure 21. Open Loop Gain and Phase vs  $C_L$  at 2.7 V

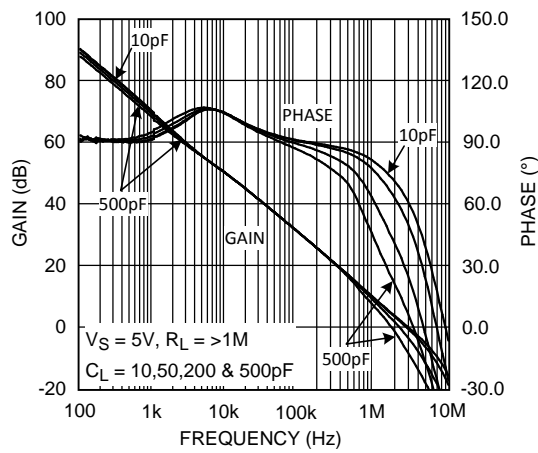


Figure 22. Open Loop Gain and Phase vs  $C_L$  at 5 V

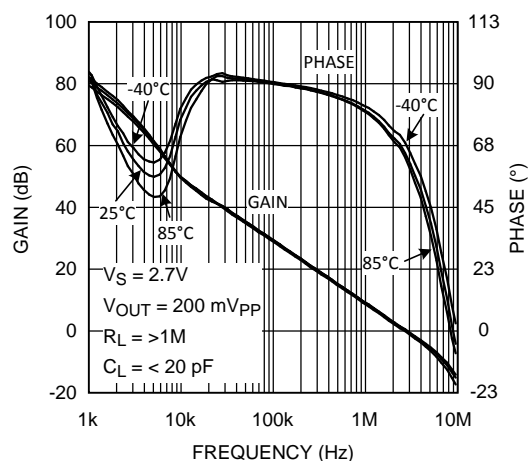


Figure 23. Open Loop Gain and Phase vs Temperature at 2.7 V

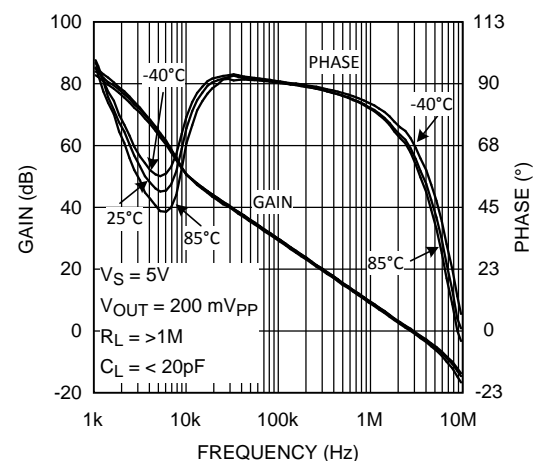
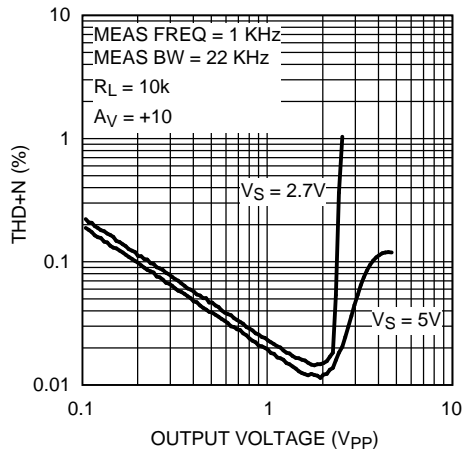


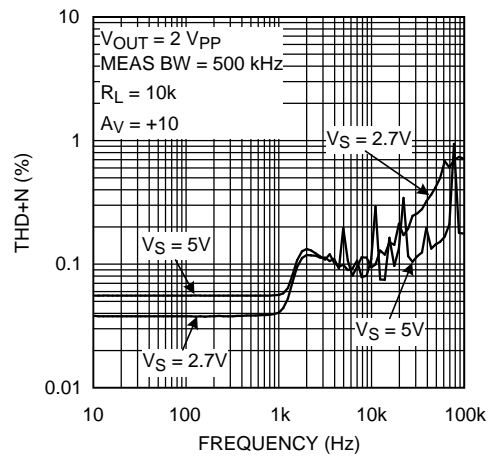
Figure 24. Open Loop Gain and Phase vs Temperature at 5 V

**Typical Characteristics (continued)**

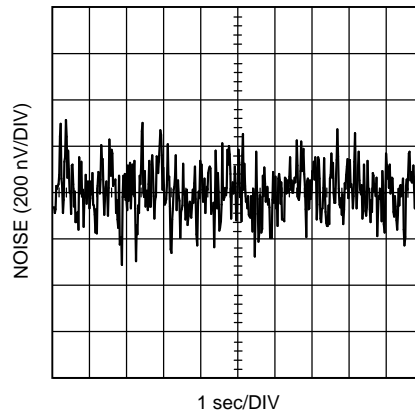
$T_A=25^{\circ}\text{C}$ ,  $V_S=5\text{ V}$  unless otherwise specified.



**Figure 25. THD+N vs AMPL**



**Figure 26. THD+N vs Frequency**



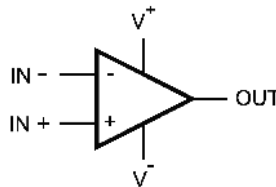
**Figure 27. 0.1 Hz - 10 Hz Noise vs Time**

## 7 Detailed Description

### 7.1 Overview

The LMP201x series offers unprecedented accuracy and stability in space-saving miniature packaging while also being offered at an affordable price. This device utilizes patented techniques to measure and continually correct the input offset error voltage. The result is an amplifier which is ultra stable over time and temperature.

### 7.2 Functional Block Diagram



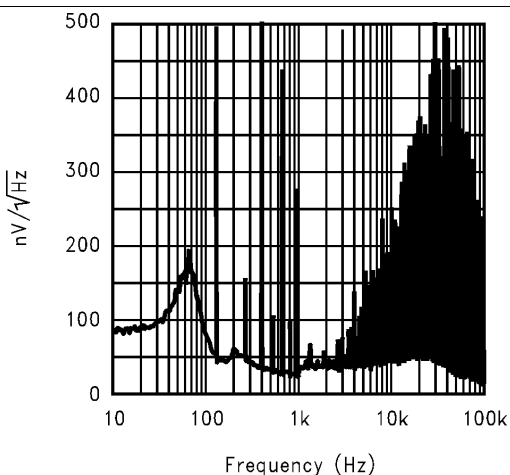
### 7.3 Feature Description

#### 7.3.1 How the LMP201x Works

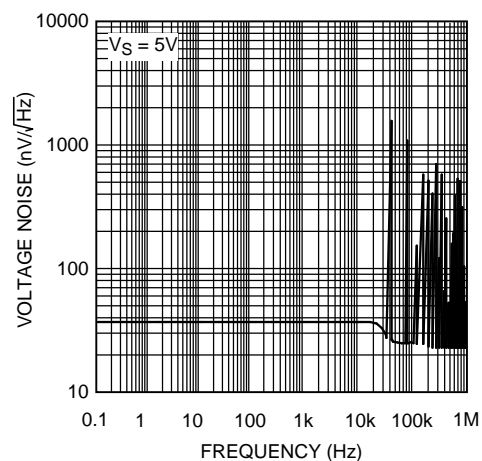
The LMP201x uses new, patented auto-zero techniques to achieve the high DC accuracy traditionally associated with chopper-stabilized amplifiers without the major drawbacks produced by chopping. The LMP201x continuously monitors the input offset and corrects this error.

The conventional low-frequency chopping process produces many mixing products, both sums and differences, between the chopping frequency and the incoming signal frequency. This mixing causes large amounts of distortion, particularly when the signal frequency approaches the chopping frequency. Even without an incoming signal, the chopper harmonics mix with each other to produce even more trash. If this sounds unlikely or difficult to understand, look at the plot (Figure 28), of the output of a typical (MAX432) chopper-stabilized op amp. This is the output when there is no incoming signal, just the amplifier in a gain of -10 with the input grounded. The chopper is operating at about 150 Hz; the rest is mixing products. Add an input signal and the noise gets much worse.

Compare this plot with Figure 29 of the LMP201x. This data was taken under the exact same conditions. The auto-zero action is visible at about 30 kHz but note the absence of mixing products at other frequencies. As a result, the LMP201x has very low distortion of 0.02% and very low mixing products.



**Figure 28. The Output of a Chopper Stabilized Op Amp (MAX432)**



**Figure 29. The Output of the LMP2011/LMP2012**

## Feature Description (continued)

### 7.3.2 The Benefits of LMP201x: No 1/f Noise

Using patented methods, the LMP201x eliminates the 1/f noise present in other amplifiers. This noise, which increases as frequency decreases, is a major source of measurement error in all DC-coupled measurements. Low-frequency noise appears as a constantly-changing signal in series with any measurement being made. As a result, even when the measurement is made rapidly, this constantly-changing noise signal will corrupt the result.

The value of this noise signal can be surprisingly large. For example: If a conventional amplifier has a flat-band noise level of  $10 \text{ nV}/\sqrt{\text{Hz}}$  and a noise corner of 10 Hz, the RMS noise at 0.001 Hz is  $1 \text{ } \mu\text{V}/\sqrt{\text{Hz}}$ . This is equivalent to a 0.50- $\mu\text{V}$  peak-to-peak error, in the frequency range 0.001 Hz to 1.0 Hz. In a circuit with a gain of 1000, this produces a 0.50-mV peak-to-peak output error. This number of 0.001 Hz might appear unreasonably low, but when a data acquisition system is operating for 17 minutes, it has been on long enough to include this error. In this same time, the LMP201x will only have a 0.21-mV output error. This is smaller by 2.4 $\times$ . This 1/f error gets even larger at lower frequencies. At the extreme, many people try to reduce this error by integrating or taking several samples of the same signal. This is also doomed to failure because the 1/f nature of this noise means that taking longer samples just moves the measurement into lower frequencies where the noise level is even higher.

The LMP201x eliminates this source of error. The noise level is constant with frequency so that reducing the bandwidth reduces the errors caused by noise.

### 7.3.3 No External Capacitors Required

The LMP201x does not need external capacitors. This eliminates the problems caused by capacitor leakage and dielectric absorption, which can cause delays of several seconds from turn-on until the amplifier's error has settled.

### 7.3.4 Copper Leadframe

Another source of error that is rarely mentioned is the error voltage caused by the inadvertent thermocouples created when the common *Kovar type* IC package lead materials are soldered to a copper printed circuit board. These steel-based leadframe materials can produce over 35  $\mu\text{V}/^\circ\text{C}$  when soldered onto a copper trace. This can result in thermocouple noise that is equal to the LMP201x noise when there is a temperature difference of only 0.0014 $^\circ\text{C}$  between the lead and the board!

For this reason, the lead-frame of the LMP201x is made of copper. This results in equal and opposite junctions which cancel this effect. The extremely small size of the SOT-23 package results in the leads being very close together. This further reduces the probability of temperature differences and hence decreases thermal noise.

### 7.3.5 More Benefits

The LMP201x offers the benefits mentioned above and more. It has a rail-to-rail output and consumes only 950  $\mu\text{A}$  of supply current while providing excellent DC and AC electrical performance. In DC performance, the LMP201x achieves 130 dB of CMRR, 120 dB of PSRR, and 130 dB of open loop gain. In AC performance, the LMP201x provides 3 MHz of gain-bandwidth product and 4 V/ $\mu\text{s}$  of slew rate.

## 7.4 Device Functional Modes

### 7.4.1 Input Currents

The LMP201x input currents are different than standard bipolar or CMOS input currents. Due to the auto-zero action of the input stage, the input current appears as a pulsating current at the chopping frequency (35 kHz) flowing in one input and out the other. Under most operating conditions, these currents are in the picoamp level and will have little or no effect in most circuits.

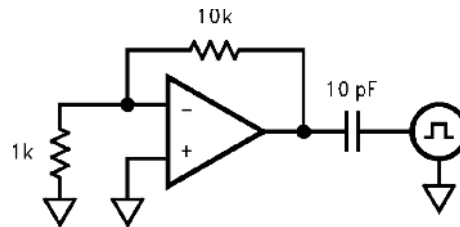
These currents tend to increase slightly when the common-mode voltage is near the minus supply. (See the [Typical Characteristics](#).) At high temperatures such as 85 $^\circ\text{C}$ , the input currents become larger, 0.5 nA typical, and are both positive except when the  $V_{\text{CM}}$  is near  $V^-$ . If operation is expected at low common-mode voltages and high temperature, do not add resistance in series with the inputs to balance the impedances. Doing this can cause an increase in offset voltage. A small resistance such as 1 k $\Omega$  can provide some protection against very large transients or overloads, and will not increase the offset significantly.

## Device Functional Modes (continued)

Because of these issues, the LMV201x is not recommended for source impedances over 1M $\Omega$ .

### 7.4.2 Overload Recovery

The LMP201x recovers from input overload much faster than most chopper-stabilized op amps. Recovery from driving the amplifier to 2X the full scale output, only requires about 40 ms. Many chopper-stabilized amplifiers will take from 250 ms to several seconds to recover from this same overload. This is because large capacitors are used to store the unadjusted offset voltage.



**Figure 30. Overload Recovery Test Circuit**

The wide bandwidth of the LMP201x enhances performance when it is used as an amplifier to drive loads that inject transients back into the output. ADCs (Analog-to-Digital Converters) and multiplexers are examples of this type of load. To simulate this type of load, a pulse generator producing a 1-V peak square wave was connected to the output through a 10-pF capacitor. (Figure 30) The typical time for the output to recover to 1% of the applied pulse is 80 ns. To recover to 0.1% requires 860 ns. This rapid recovery is due to the wide bandwidth of the output stage and large total GBW.



## 8 Application and Implementation

### NOTE

Information in the following applications sections is not part of the TI component specification, and TI does not warrant its accuracy or completeness. TI's customers are responsible for determining suitability of components for their purposes. Customers should validate and test their design implementation to confirm system functionality.

### 8.1 Application Information

The LMV201x family offers excellent dc precision and ac performance. These devices offer true rail-to-rail output, ultralow offset voltage and offset voltage drift over the entire  $-40$  to  $125^{\circ}\text{C}$  temperature range, as well as 3-MHz bandwidth and no  $1/f$  noise. These features make the LMV201x a robust, high performance operational amplifier ideal for industrial applications.

### 8.2 Typical Applications

#### 8.2.1 Extending Supply Voltages and Output Swing with a Composite Amplifier

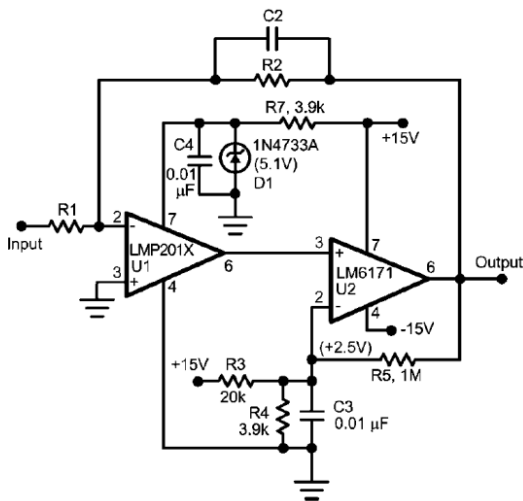


Figure 31. Inverting Composite Amplifier

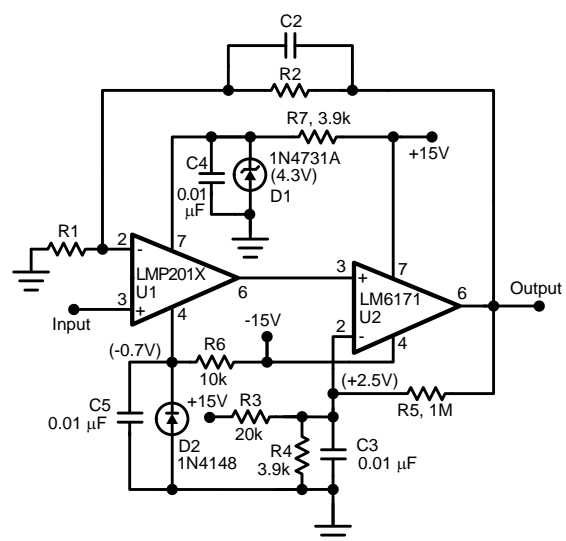


Figure 32. Non-Inverting Composite Amplifier

#### 8.2.1.1 Design Requirements

In cases where substantially higher output swing is required with higher supply voltages, arrangements like the ones shown in Figure 31 and Figure 32 could be used. These configurations utilize the excellent DC performance of the LMP201x while at the same time allow the superior voltage and frequency capabilities of the LM6171 to set the dynamic performance of the overall amplifier.

For example, it is possible to achieve  $\pm 12\text{-V}$  output swing with 300 MHz of overall GBW ( $A_V = 100$ ) while keeping the worst case output shift due to  $V_{OS}$  less than 4 mV.

#### 8.2.1.2 Detailed Design Procedure

The LMP201x output voltage is kept at about mid-point of its overall supply voltage, and its input common mode voltage range allows the  $V^-$  terminal to be grounded in one case (Figure 31, inverting operation) and tied to a small non-critical negative bias in another (Figure 32, non-inverting operation). Higher closed-loop gains are also possible with a corresponding reduction in realizable bandwidth. Table 1 shows some other closed loop gain possibilities along with the measured performance in each case.

In terms of the measured output peak-to-peak noise, the following relationship holds between output noise voltage,  $e_n$  p-p, for different closed-loop gain,  $A_V$ , settings, where  $-3$  dB Bandwidth is BW:

**Typical Applications (continued)**

$$\frac{e_{npp1}}{e_{npp2}} = \sqrt{\frac{BW1}{BW2}} \cdot \frac{A_{V1}}{A_{V2}} \tag{1}$$

It should be kept in mind that in order to minimize the output noise voltage for a given closed-loop gain setting, one could minimize the overall bandwidth. As can be seen from Equation 1 above, the output noise has a square-root relationship to the Bandwidth.

In the case of the inverting configuration, it is also possible to increase the input impedance of the overall amplifier, by raising the value of R1, without having to increase the feed-back resistor, R2, to impractical values, by utilizing a "Tee" network as feedback. See the LMC6442 data sheet (Application Notes section) for more details on this.

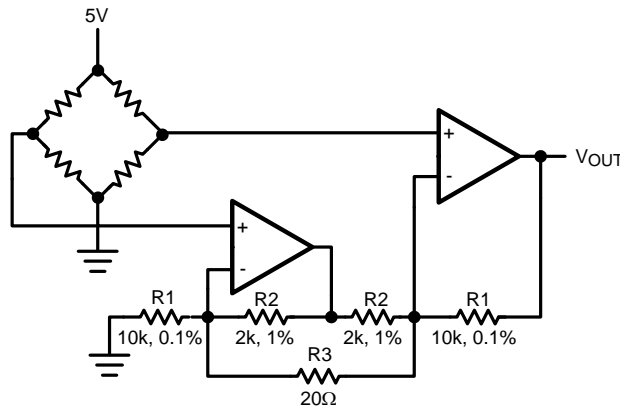
**8.2.1.3 Application Results**

Table 1 shows the results using various gains and compensation values.

**Table 1. Composite Amplifier Measured Performance**

| A <sub>v</sub> | R1 (Ω) | R2 (Ω) | C2 (pF) | BW (MHz) | SR (V/μs) | en p-p (mV <sub>PP</sub> ) |
|----------------|--------|--------|---------|----------|-----------|----------------------------|
| 50             | 200    | 10k    | 8       | 3.3      | 178       | 37                         |
| 100            | 100    | 10k    | 10      | 2.5      | 174       | 70                         |
| 100            | 1k     | 100k   | 0.67    | 3.1      | 170       | 70                         |
| 500            | 200    | 100k   | 1.75    | 1.4      | 96        | 250                        |
| 1000           | 100    | 100k   | 2.2     | 0.98     | 64        | 400                        |

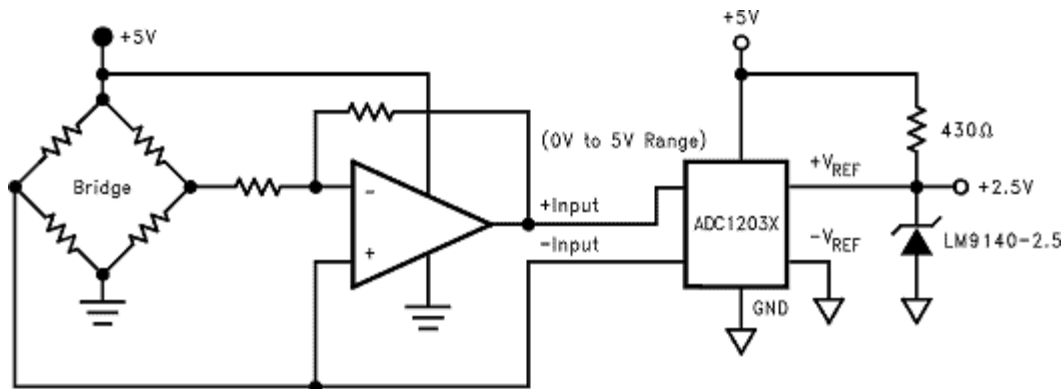
**8.2.2 Precision Strain-gauge Amplifier**



**Figure 33. Precision Strain Gauge Amplifier**

This Strain-Gauge amplifier (Figure 33) provides high gain (1006 or ~60 dB) with very low offset and drift. Using the resistors' tolerances as shown, the worst case CMRR will be greater than 108 dB. The CMRR is directly related to the resistor mismatch. The rejection of common-mode error, at the output, is independent of the differential gain, which is set by R3. The CMRR is further improved, if the resistor ratio matching is improved, by specifying tighter-tolerance resistors, or by trimming.

### 8.2.3 ADC Input Amplifier



**Figure 34. DC Coupled ADC Driver**

The LMP201x is a great choice for an amplifier stage immediately before the input of an ADC (Analog-to-Digital Converter). See [Figure 34](#).

This is because of the following important characteristics:

- Very low offset voltage and offset voltage drift over time and temperature allow a high closed-loop gain setting without introducing any short-term or long-term errors. For example, when set to a closed-loop gain of 100 as the analog input amplifier for a 12-bit A/D converter, the overall conversion error over full operation temperature and 30 years life of the part (operating at 50°C) would be less than 5 LSBs.
- Fast large-signal settling time to 0.01% of final value (1.4  $\mu$ s) allows 12 bit accuracy at 100 KHz or more sampling rate
- No flicker (1/f) noise means unsurpassed data accuracy over any measurement period of time, no matter how long. Consider the following op amp performance, based on a typical low-noise, high-performance commercially-available device, for comparison:
  - Op amp flatband noise = 8 nV/ $\sqrt{\text{Hz}}$
  - 1/f corner frequency = 100 Hz
  - $A_V = 2000$
  - Measurement time = 100 sec
  - Bandwidth = 2 Hz
- This example will result in about 2.2 mV<sub>PP</sub> (1.9 LSB) of output noise contribution due to the op amp alone, compared to about 594  $\mu$ V<sub>PP</sub> (less than 0.5 LSB) when that op amp is replaced with the LMP201x which has no 1/f contribution. If the measurement time is increased from 100 seconds to 1 hour, the improvement realized by using the LMP201x would be a factor of about 4.8 times (2.86 mV<sub>PP</sub> compared to 596  $\mu$ V when LMP201x is used) mainly because the LMP201x accuracy is not compromised by increasing the observation time.
- Copper leadframe construction minimizes any thermocouple effects which would degrade low level/high gain data conversion application accuracy (see discussion under [The Benefits of the LMP201X](#) section above).
- Rail-to-Rail output swing maximizes the ADC dynamic range in 5-Volt single-supply converter applications. Below is a typical block diagram showing the LMP201x used as an ADC amplifier ([Figure 34](#)).

## 9 Power Supply Recommendations

The LMP201x is specified for operation from 2.7 V to 5.25 V ( $\pm 1.35$  V to  $\pm 2.625$  V) over a  $-40^{\circ}\text{C}$  to  $+125^{\circ}\text{C}$  temperature range. Parameters that can exhibit significant variance with regard to operating voltage or temperature are presented in the [Typical Characteristics](#).

For proper operation, the power supplies must be properly decoupled. For decoupling the supply lines, TI recommends that 10-nF capacitors be placed as close as possible to the op amp power supply pins. For single supply, place a capacitor between V+ and V- supply leads. For dual supplies, place one capacitor between V+ and ground, and one capacitor between V- and ground.

### CAUTION

Supply voltages larger than 6 V can permanently damage the device.

## 10 Layout

### 10.1 Layout Guidelines

For best operational performance of the device, use good printed circuit board (PCB) layout practices, including:

- Connect low-ESR, 0.1- $\mu\text{F}$  ceramic bypass capacitors between each supply pin and ground, placed as close to the device as possible. A single bypass capacitor from V+ to ground is applicable for single supply applications.
- Noise can propagate into analog circuitry through the power pins of the circuit as a whole and op amp itself. Bypass capacitors are used to reduce the coupled noise by providing low-impedance power sources local to the analog circuitry.
- Separate grounding for analog and digital portions of circuitry is one of the simplest and most-effective methods of noise suppression. One or more layers on multilayer PCBs are usually devoted to ground planes. A ground plane helps distribute heat and reduces EMI noise pickup. Make sure to physically separate digital and analog grounds paying attention to the flow of the ground current. For more detailed information refer to [SLOA089, Circuit Board Layout Techniques](#).
- In order to reduce parasitic coupling, run the input traces as far away from the supply or output traces as possible. If it is not possible to keep them separate, it is much better to cross the sensitive trace perpendicular as opposed to in parallel with the noisy trace.
- Place the external components as close to the device as possible. As shown in [Layout Example](#), keeping RF and RG close to the inverting input minimizes parasitic capacitance.
- Keep the length of input traces as short as possible. Always remember that the input traces are the most sensitive part of the circuit.

## 10.2 Layout Example

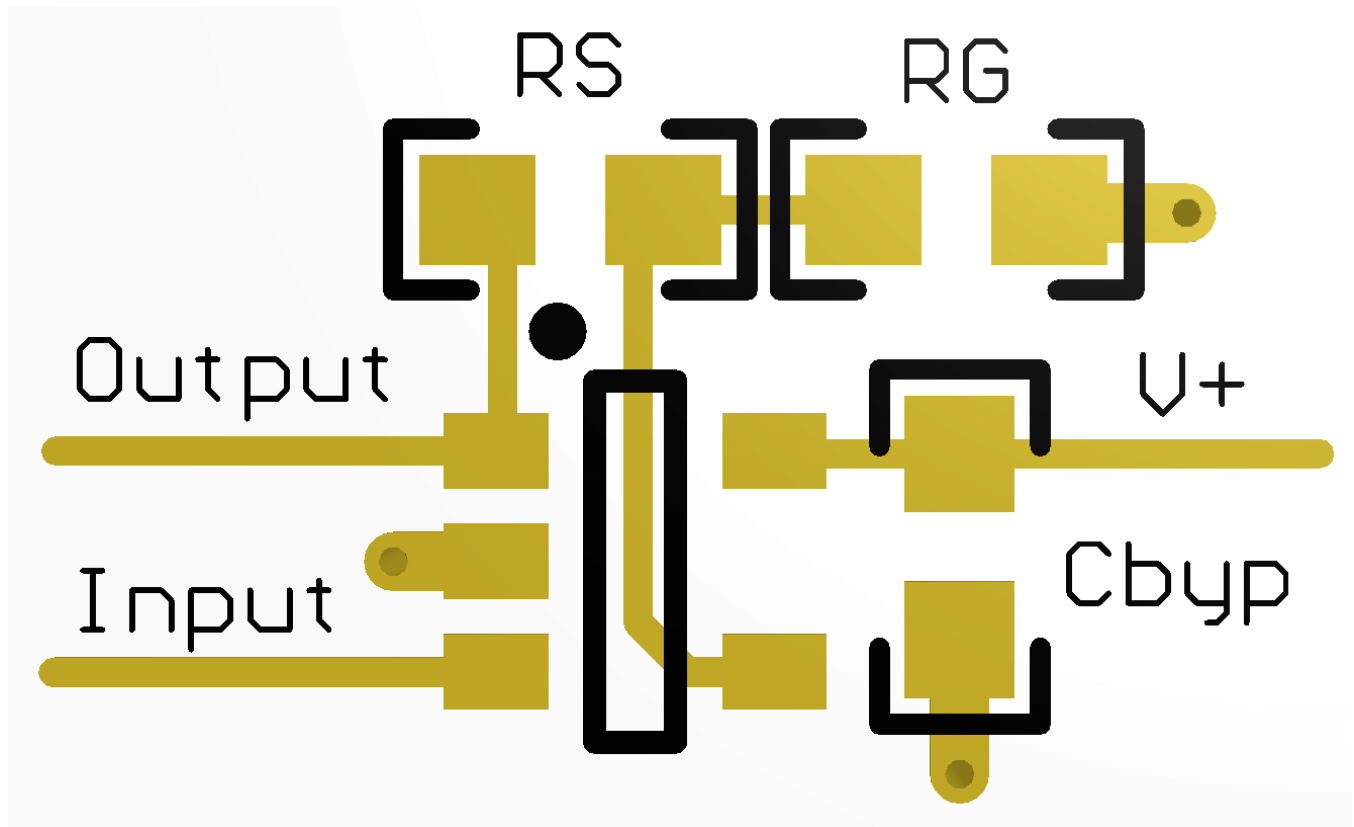


Figure 35. Single Non-Inverting Amplifier Example Layout

## 11 Device and Documentation Support

### 11.1 Device Support

#### 11.1.1 Development Support

LMP2011/12 PSPICE Model, [SNOM113](#)

TINA-TI SPICE-Based Analog Simulation Program, <http://www.ti.com/tool/tina-ti>

TI Filterpro Software, <http://www.ti.com/tool/filterpro>

DIP Adapter Evaluation Module, <http://www.ti.com/tool/dip-adapter-evm>

TI Universal Operational Amplifier Evaluation Module, <http://www.ti.com/tool/opampevm>

Manual for LMH730268 Evaluation board [551012922-001](#)

### 11.2 Documentation Support

#### 11.2.1 Related Documentation

For related documentation, see the following:

- [SBOA015 \(AB-028\)](#), *Feedback Plots Define Op Amp AC Performance*
- [SLOA089](#), *Circuit Board Layout Techniques*
- [SLOD006](#), *Op Amps for Everyone*
- [TIPD128](#), *Capacitive Load Drive Solution using an Isolation Resistor*
- [SBOA092](#), *Handbook of Operational Amplifier Applications*

### 11.3 Related Links

The table below lists quick access links. Categories include technical documents, support and community resources, tools and software, and quick access to sample or buy.

**Table 2. Related Links**

| PARTS   | PRODUCT FOLDER             | SAMPLE & BUY               | TECHNICAL DOCUMENTS        | TOOLS & SOFTWARE           | SUPPORT & COMMUNITY        |
|---------|----------------------------|----------------------------|----------------------------|----------------------------|----------------------------|
| LMP2011 | <a href="#">Click here</a> | <a href="#">Click here</a> | <a href="#">Click here</a> | <a href="#">Click here</a> | <a href="#">Click here</a> |
| LMP2012 | <a href="#">Click here</a> | <a href="#">Click here</a> | <a href="#">Click here</a> | <a href="#">Click here</a> | <a href="#">Click here</a> |

### 11.4 Community Resources

The following links connect to TI community resources. Linked contents are provided "AS IS" by the respective contributors. They do not constitute TI specifications and do not necessarily reflect TI's views; see TI's [Terms of Use](#).

**TI E2E™ Online Community** *TI's Engineer-to-Engineer (E2E) Community*. Created to foster collaboration among engineers. At [e2e.ti.com](http://e2e.ti.com), you can ask questions, share knowledge, explore ideas and help solve problems with fellow engineers.

**Design Support** *TI's Design Support* Quickly find helpful E2E forums along with design support tools and contact information for technical support.

### 11.5 Trademarks

LMP, E2E are trademarks of Texas Instruments.  
All other trademarks are the property of their respective owners.

### 11.6 Electrostatic Discharge Caution



These devices have limited built-in ESD protection. The leads should be shorted together or the device placed in conductive foam during storage or handling to prevent electrostatic damage to the MOS gates.

## 11.7 Glossary

[SLYZ022](#) — *TI Glossary*.

This glossary lists and explains terms, acronyms, and definitions.

## 12 Mechanical, Packaging, and Orderable Information

The following pages include mechanical, packaging, and orderable information. This information is the most current data available for the designated devices. This data is subject to change without notice and revision of this document. For browser-based versions of this data sheet, refer to the left-hand navigation.

**PACKAGING INFORMATION**

| Orderable Device | Status<br>(1) | Package Type | Package Drawing | Pins | Package Qty | Eco Plan<br>(2)  | Lead finish/<br>Ball material<br>(6) | MSL Peak Temp<br>(3) | Op Temp (°C) | Device Marking<br>(4/5) | Samples                 |
|------------------|---------------|--------------|-----------------|------|-------------|------------------|--------------------------------------|----------------------|--------------|-------------------------|-------------------------|
| LMP2011MA/NOPB   | ACTIVE        | SOIC         | D               | 8    | 95          | RoHS & Green     | SN                                   | Level-1-260C-UNLIM   | -40 to 125   | LMP2011MA               | <a href="#">Samples</a> |
| LMP2011MF        | NRND          | SOT-23       | DBV             | 5    | 1000        | Non-RoHS & Green | Call TI                              | Level-1-260C-UNLIM   | -40 to 125   | AN1A                    |                         |
| LMP2011MF/NOPB   | ACTIVE        | SOT-23       | DBV             | 5    | 1000        | RoHS & Green     | SN                                   | Level-1-260C-UNLIM   | -40 to 125   | AN1A                    | <a href="#">Samples</a> |
| LMP2011MFX/NOPB  | ACTIVE        | SOT-23       | DBV             | 5    | 3000        | RoHS & Green     | SN                                   | Level-1-260C-UNLIM   | -40 to 125   | AN1A                    | <a href="#">Samples</a> |
| LMP2012MA/NOPB   | ACTIVE        | SOIC         | D               | 8    | 95          | RoHS & Green     | SN                                   | Level-1-260C-UNLIM   | -40 to 125   | LMP2012MA               | <a href="#">Samples</a> |
| LMP2012MAX/NOPB  | ACTIVE        | SOIC         | D               | 8    | 2500        | RoHS & Green     | SN                                   | Level-1-260C-UNLIM   | -40 to 125   | LMP2012MA               | <a href="#">Samples</a> |
| LMP2012MM/NOPB   | ACTIVE        | VSSOP        | DGK             | 8    | 1000        | RoHS & Green     | SN                                   | Level-1-260C-UNLIM   | -40 to 125   | AP1A                    | <a href="#">Samples</a> |

(1) The marketing status values are defined as follows:

**ACTIVE:** Product device recommended for new designs.

**LIFEBUY:** TI has announced that the device will be discontinued, and a lifetime-buy period is in effect.

**NRND:** Not recommended for new designs. Device is in production to support existing customers, but TI does not recommend using this part in a new design.

**PREVIEW:** Device has been announced but is not in production. Samples may or may not be available.

**OBSELETE:** TI has discontinued the production of the device.

(2) **RoHS:** TI defines "RoHS" to mean semiconductor products that are compliant with the current EU RoHS requirements for all 10 RoHS substances, including the requirement that RoHS substance do not exceed 0.1% by weight in homogeneous materials. Where designed to be soldered at high temperatures, "RoHS" products are suitable for use in specified lead-free processes. TI may reference these types of products as "Pb-Free".

**RoHS Exempt:** TI defines "RoHS Exempt" to mean products that contain lead but are compliant with EU RoHS pursuant to a specific EU RoHS exemption.

**Green:** TI defines "Green" to mean the content of Chlorine (Cl) and Bromine (Br) based flame retardants meet JS709B low halogen requirements of <=1000ppm threshold. Antimony trioxide based flame retardants must also meet the <=1000ppm threshold requirement.

(3) MSL, Peak Temp. - The Moisture Sensitivity Level rating according to the JEDEC industry standard classifications, and peak solder temperature.

(4) There may be additional marking, which relates to the logo, the lot trace code information, or the environmental category on the device.

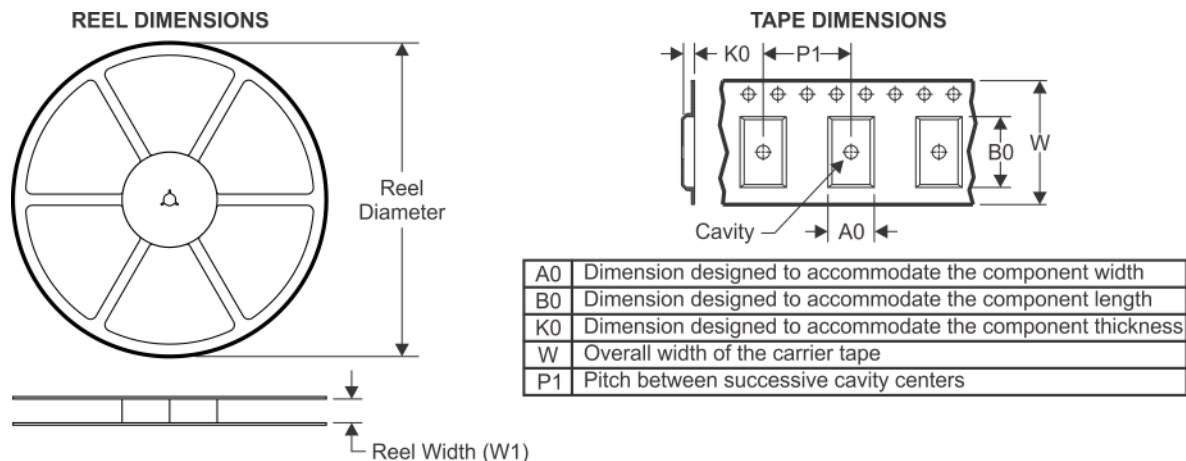
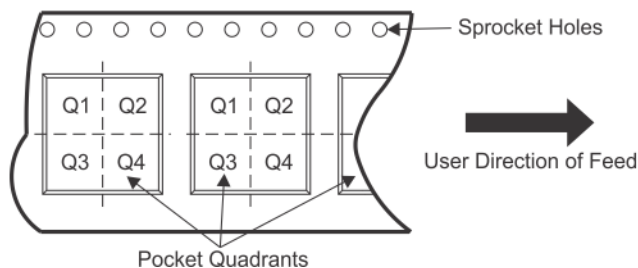
(5) Multiple Device Markings will be inside parentheses. Only one Device Marking contained in parentheses and separated by a "~" will appear on a device. If a line is indented then it is a continuation of the previous line and the two combined represent the entire Device Marking for that device.



<sup>(6)</sup> Lead finish/Ball material - Orderable Devices may have multiple material finish options. Finish options are separated by a vertical ruled line. Lead finish/Ball material values may wrap to two lines if the finish value exceeds the maximum column width.

**Important Information and Disclaimer:** The information provided on this page represents TI's knowledge and belief as of the date that it is provided. TI bases its knowledge and belief on information provided by third parties, and makes no representation or warranty as to the accuracy of such information. Efforts are underway to better integrate information from third parties. TI has taken and continues to take reasonable steps to provide representative and accurate information but may not have conducted destructive testing or chemical analysis on incoming materials and chemicals. TI and TI suppliers consider certain information to be proprietary, and thus CAS numbers and other limited information may not be available for release.

In no event shall TI's liability arising out of such information exceed the total purchase price of the TI part(s) at issue in this document sold by TI to Customer on an annual basis.

**TAPE AND REEL INFORMATION**

**QUADRANT ASSIGNMENTS FOR PIN 1 ORIENTATION IN TAPE**


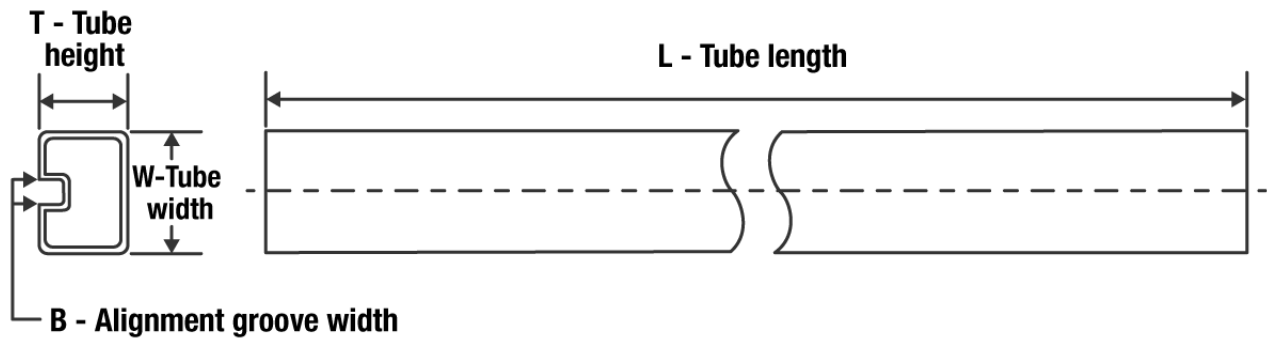
\*All dimensions are nominal

| Device          | Package Type | Package Drawing | Pins | SPQ  | Reel Diameter (mm) | Reel Width W1 (mm) | A0 (mm) | B0 (mm) | K0 (mm) | P1 (mm) | W (mm) | Pin1 Quadrant |
|-----------------|--------------|-----------------|------|------|--------------------|--------------------|---------|---------|---------|---------|--------|---------------|
| LMP2011MF       | SOT-23       | DBV             | 5    | 1000 | 178.0              | 8.4                | 3.2     | 3.2     | 1.4     | 4.0     | 8.0    | Q3            |
| LMP2011MF/NOPB  | SOT-23       | DBV             | 5    | 1000 | 178.0              | 8.4                | 3.2     | 3.2     | 1.4     | 4.0     | 8.0    | Q3            |
| LMP2011MFX/NOPB | SOT-23       | DBV             | 5    | 3000 | 178.0              | 8.4                | 3.2     | 3.2     | 1.4     | 4.0     | 8.0    | Q3            |
| LMP2012MAX/NOPB | SOIC         | D               | 8    | 2500 | 330.0              | 12.4               | 6.5     | 5.4     | 2.0     | 8.0     | 12.0   | Q1            |
| LMP2012MM/NOPB  | VSSOP        | DGK             | 8    | 1000 | 178.0              | 12.4               | 5.3     | 3.4     | 1.4     | 8.0     | 12.0   | Q1            |

**TAPE AND REEL BOX DIMENSIONS**


\*All dimensions are nominal

| Device          | Package Type | Package Drawing | Pins | SPQ  | Length (mm) | Width (mm) | Height (mm) |
|-----------------|--------------|-----------------|------|------|-------------|------------|-------------|
| LMP2011MF       | SOT-23       | DBV             | 5    | 1000 | 208.0       | 191.0      | 35.0        |
| LMP2011MF/NOPB  | SOT-23       | DBV             | 5    | 1000 | 208.0       | 191.0      | 35.0        |
| LMP2011MFX/NOPB | SOT-23       | DBV             | 5    | 3000 | 208.0       | 191.0      | 35.0        |
| LMP2012MAX/NOPB | SOIC         | D               | 8    | 2500 | 356.0       | 356.0      | 35.0        |
| LMP2012MM/NOPB  | VSSOP        | DGK             | 8    | 1000 | 208.0       | 191.0      | 35.0        |

**TUBE**


\*All dimensions are nominal

| Device         | Package Name | Package Type | Pins | SPQ | L (mm) | W (mm) | T (μm) | B (mm) |
|----------------|--------------|--------------|------|-----|--------|--------|--------|--------|
| LMP2011MA/NOPB | D            | SOIC         | 8    | 95  | 495    | 8      | 4064   | 3.05   |
| LMP2012MA/NOPB | D            | SOIC         | 8    | 95  | 495    | 8      | 4064   | 3.05   |

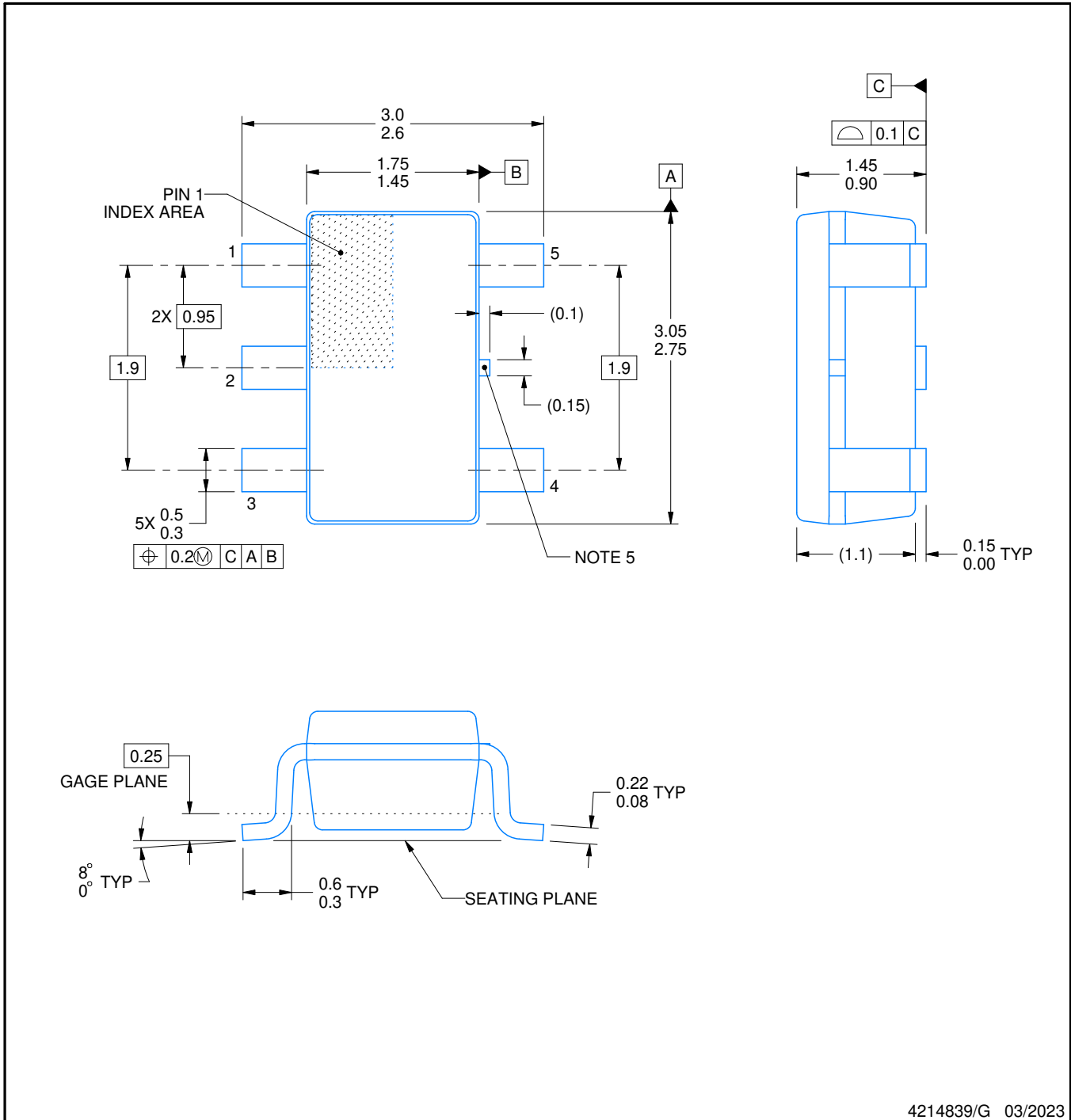
DBV0005A



# PACKAGE OUTLINE

SOT-23 - 1.45 mm max height

SMALL OUTLINE TRANSISTOR



4214839/G 03/2023

NOTES:

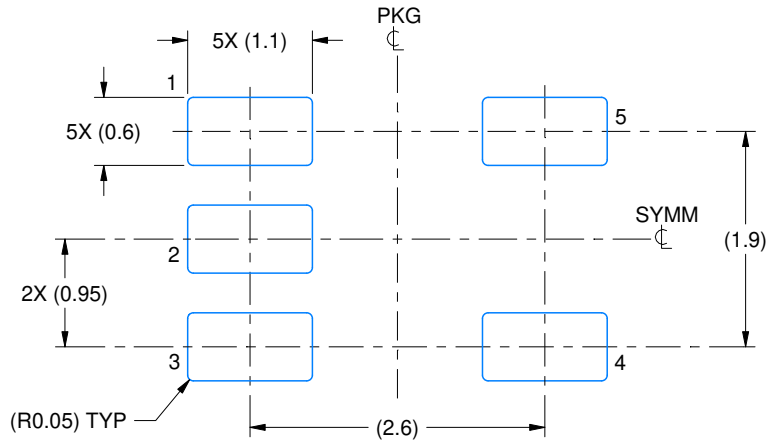
1. All linear dimensions are in millimeters. Any dimensions in parenthesis are for reference only. Dimensioning and tolerancing per ASME Y14.5M.
2. This drawing is subject to change without notice.
3. Reference JEDEC MO-178.
4. Body dimensions do not include mold flash, protrusions, or gate burrs. Mold flash, protrusions, or gate burrs shall not exceed 0.25 mm per side.
5. Support pin may differ or may not be present.

# EXAMPLE BOARD LAYOUT

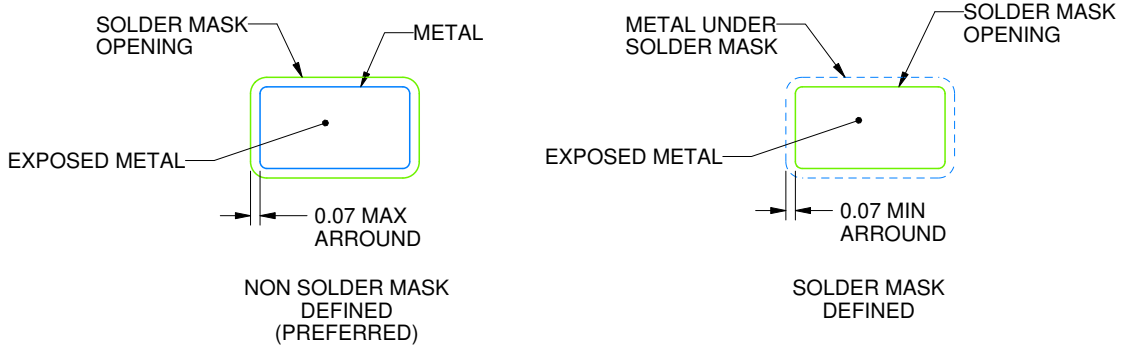
DBV0005A

SOT-23 - 1.45 mm max height

SMALL OUTLINE TRANSISTOR



LAND PATTERN EXAMPLE  
EXPOSED METAL SHOWN  
SCALE:15X



SOLDER MASK DETAILS

4214839/G 03/2023

NOTES: (continued)

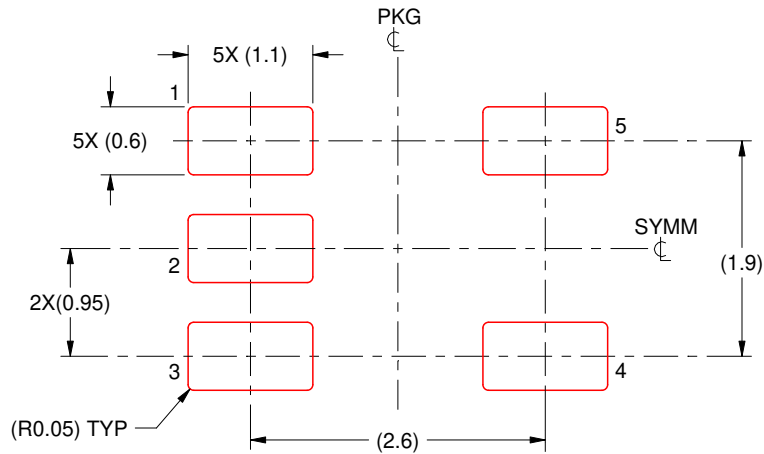
- 6. Publication IPC-7351 may have alternate designs.
- 7. Solder mask tolerances between and around signal pads can vary based on board fabrication site.

# EXAMPLE STENCIL DESIGN

DBV0005A

SOT-23 - 1.45 mm max height

SMALL OUTLINE TRANSISTOR



SOLDER PASTE EXAMPLE  
BASED ON 0.125 mm THICK STENCIL  
SCALE:15X

4214839/G 03/2023

NOTES: (continued)

8. Laser cutting apertures with trapezoidal walls and rounded corners may offer better paste release. IPC-7525 may have alternate design recommendations.
9. Board assembly site may have different recommendations for stencil design.

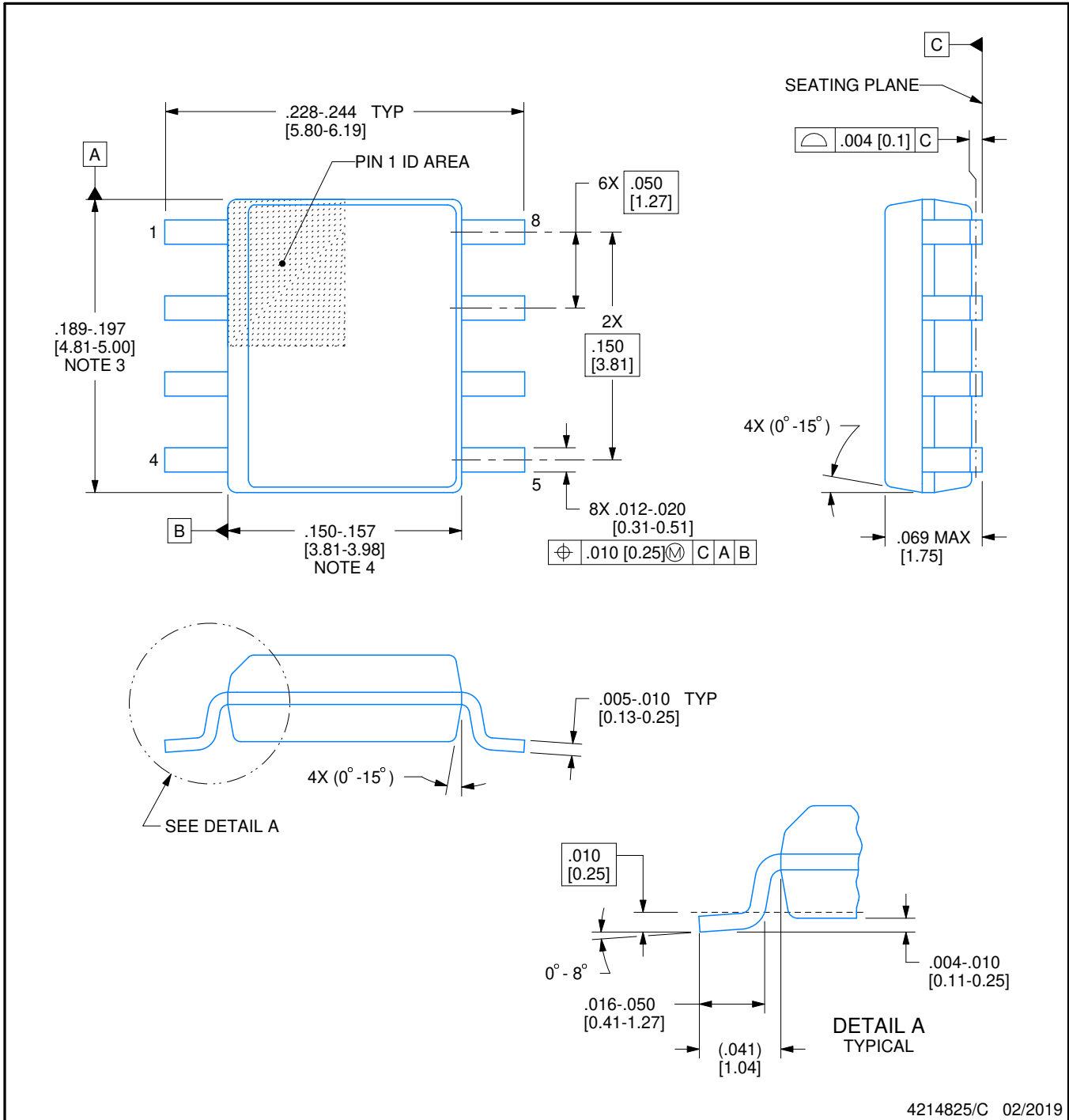


D0008A

# PACKAGE OUTLINE

SOIC - 1.75 mm max height

SMALL OUTLINE INTEGRATED CIRCUIT



NOTES:

1. Linear dimensions are in inches [millimeters]. Dimensions in parenthesis are for reference only. Controlling dimensions are in inches. Dimensioning and tolerancing per ASME Y14.5M.
2. This drawing is subject to change without notice.
3. This dimension does not include mold flash, protrusions, or gate burrs. Mold flash, protrusions, or gate burrs shall not exceed .006 [0.15] per side.
4. This dimension does not include interlead flash.
5. Reference JEDEC registration MS-012, variation AA.

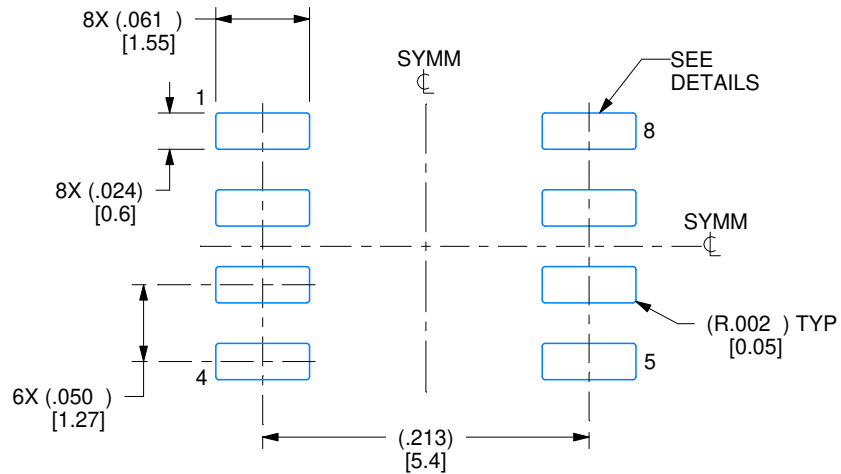


# EXAMPLE BOARD LAYOUT

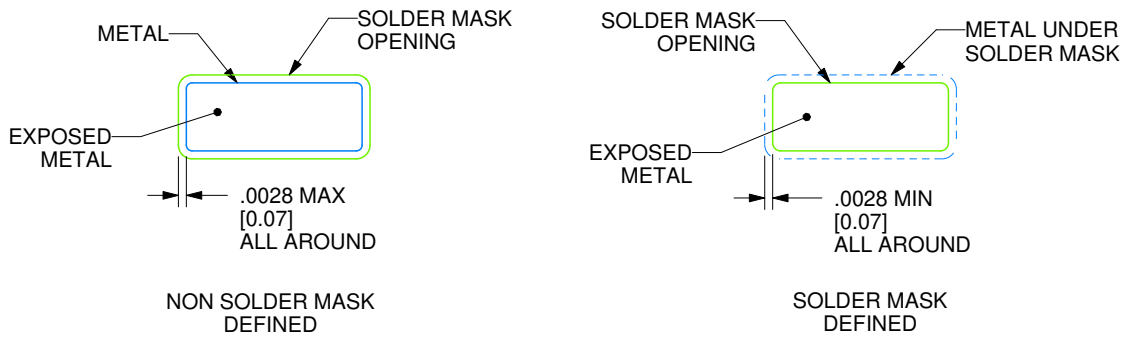
D0008A

SOIC - 1.75 mm max height

SMALL OUTLINE INTEGRATED CIRCUIT



LAND PATTERN EXAMPLE  
EXPOSED METAL SHOWN  
SCALE:8X



SOLDER MASK DETAILS

4214825/C 02/2019

NOTES: (continued)

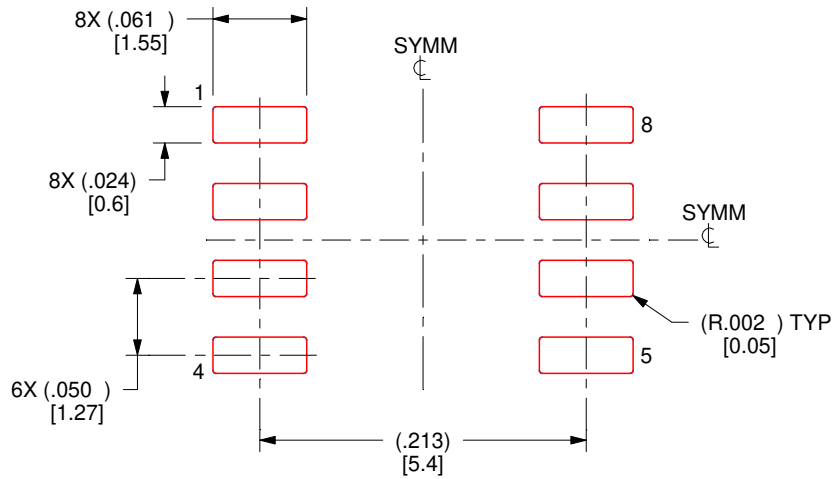
- 6. Publication IPC-7351 may have alternate designs.
- 7. Solder mask tolerances between and around signal pads can vary based on board fabrication site.

# EXAMPLE STENCIL DESIGN

D0008A

SOIC - 1.75 mm max height

SMALL OUTLINE INTEGRATED CIRCUIT



SOLDER PASTE EXAMPLE  
BASED ON .005 INCH [0.125 MM] THICK STENCIL  
SCALE:8X

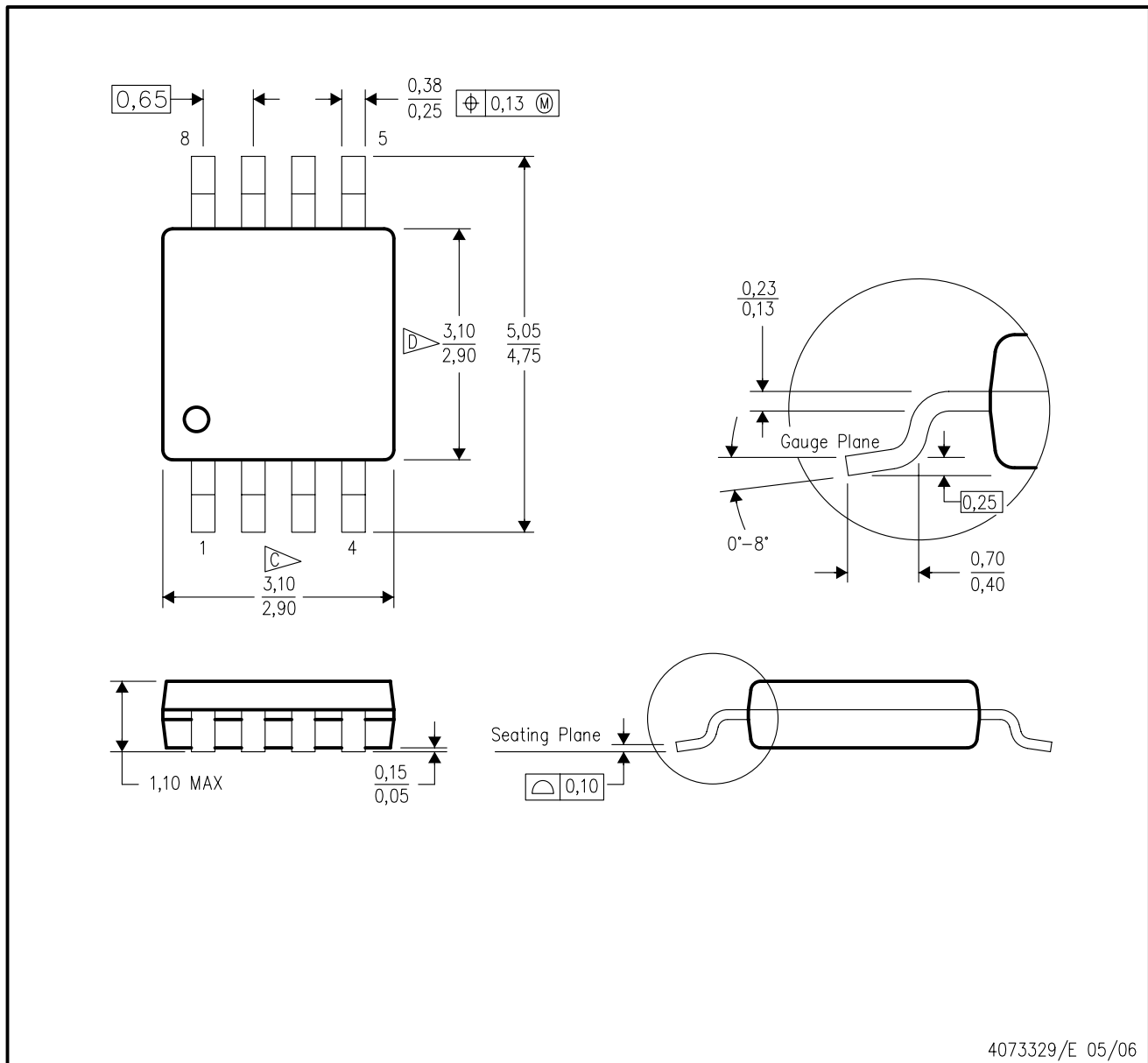
4214825/C 02/2019

NOTES: (continued)

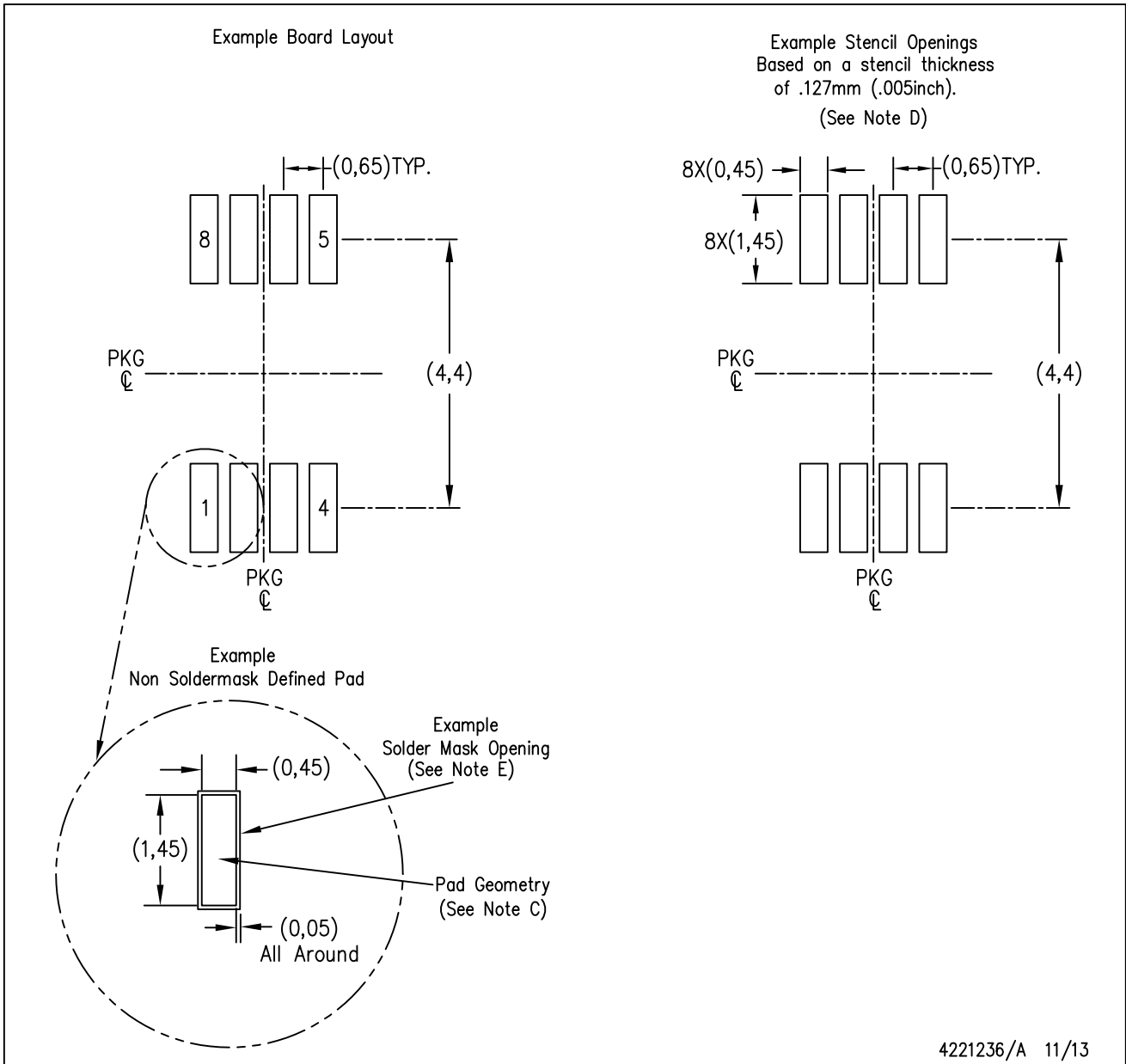
8. Laser cutting apertures with trapezoidal walls and rounded corners may offer better paste release. IPC-7525 may have alternate design recommendations.
9. Board assembly site may have different recommendations for stencil design.

DGK (S-PDSO-G8)

PLASTIC SMALL-OUTLINE PACKAGE



- NOTES:
- A. All linear dimensions are in millimeters.
  - B. This drawing is subject to change without notice.
  - C. Body length does not include mold flash, protrusions, or gate burrs. Mold flash, protrusions, or gate burrs shall not exceed 0.15 per end.
  - D. Body width does not include interlead flash. Interlead flash shall not exceed 0.50 per side.
  - E. Falls within JEDEC MO-187 variation AA, except interlead flash.



- NOTES:
- A. All linear dimensions are in millimeters.
  - B. This drawing is subject to change without notice.
  - C. Publication IPC-7351 is recommended for alternate designs.
  - D. Laser cutting apertures with trapezoidal walls and also rounding corners will offer better paste release. Customers should contact their board assembly site for stencil design recommendations. Refer to IPC-7525 for other stencil recommendations.
  - E. Customers should contact their board fabrication site for solder mask tolerances between and around signal pads.

## IMPORTANT NOTICE AND DISCLAIMER

TI PROVIDES TECHNICAL AND RELIABILITY DATA (INCLUDING DATA SHEETS), DESIGN RESOURCES (INCLUDING REFERENCE DESIGNS), APPLICATION OR OTHER DESIGN ADVICE, WEB TOOLS, SAFETY INFORMATION, AND OTHER RESOURCES "AS IS" AND WITH ALL FAULTS, AND DISCLAIMS ALL WARRANTIES, EXPRESS AND IMPLIED, INCLUDING WITHOUT LIMITATION ANY IMPLIED WARRANTIES OF MERCHANTABILITY, FITNESS FOR A PARTICULAR PURPOSE OR NON-INFRINGEMENT OF THIRD PARTY INTELLECTUAL PROPERTY RIGHTS.

These resources are intended for skilled developers designing with TI products. You are solely responsible for (1) selecting the appropriate TI products for your application, (2) designing, validating and testing your application, and (3) ensuring your application meets applicable standards, and any other safety, security, regulatory or other requirements.

These resources are subject to change without notice. TI grants you permission to use these resources only for development of an application that uses the TI products described in the resource. Other reproduction and display of these resources is prohibited. No license is granted to any other TI intellectual property right or to any third party intellectual property right. TI disclaims responsibility for, and you will fully indemnify TI and its representatives against, any claims, damages, costs, losses, and liabilities arising out of your use of these resources.

TI's products are provided subject to [TI's Terms of Sale](#) or other applicable terms available either on [ti.com](https://www.ti.com) or provided in conjunction with such TI products. TI's provision of these resources does not expand or otherwise alter TI's applicable warranties or warranty disclaimers for TI products.

TI objects to and rejects any additional or different terms you may have proposed.

Mailing Address: Texas Instruments, Post Office Box 655303, Dallas, Texas 75265  
Copyright © 2023, Texas Instruments Incorporated