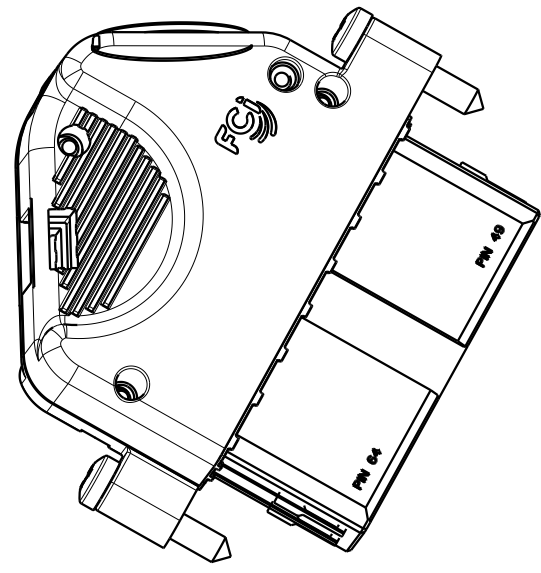
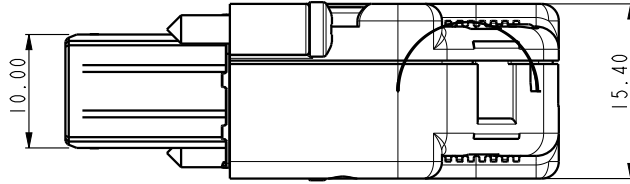
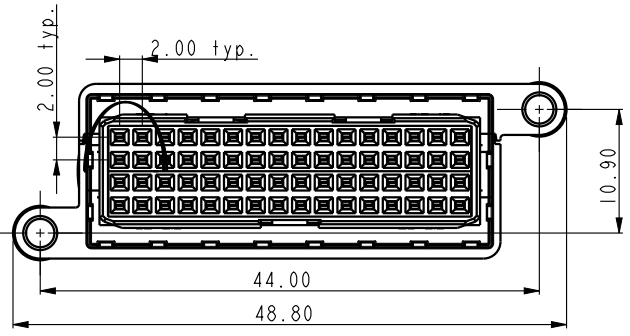
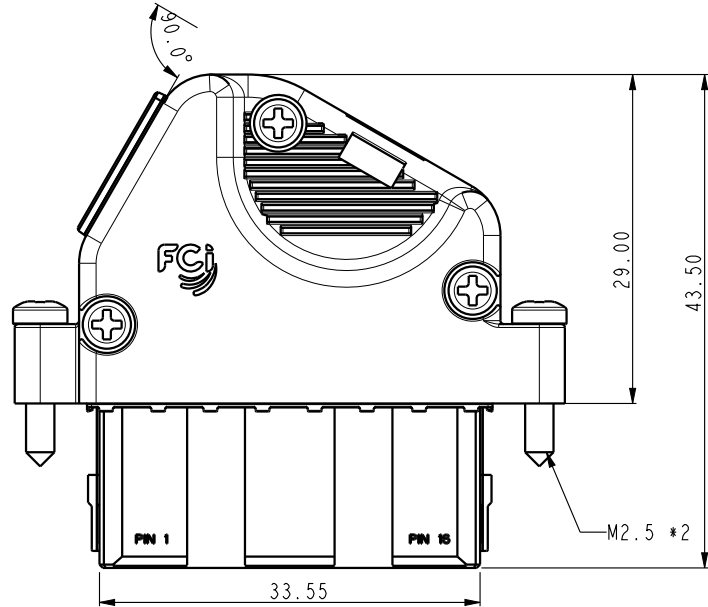


Cable Kits P/N	10089331-101LF	10089331-102LF	10089331-103LF	10089331-104LF
Lock Screw Length	12.50	12.50	15.00	15.00
AWG	24&26	28&30	24&26	28&30



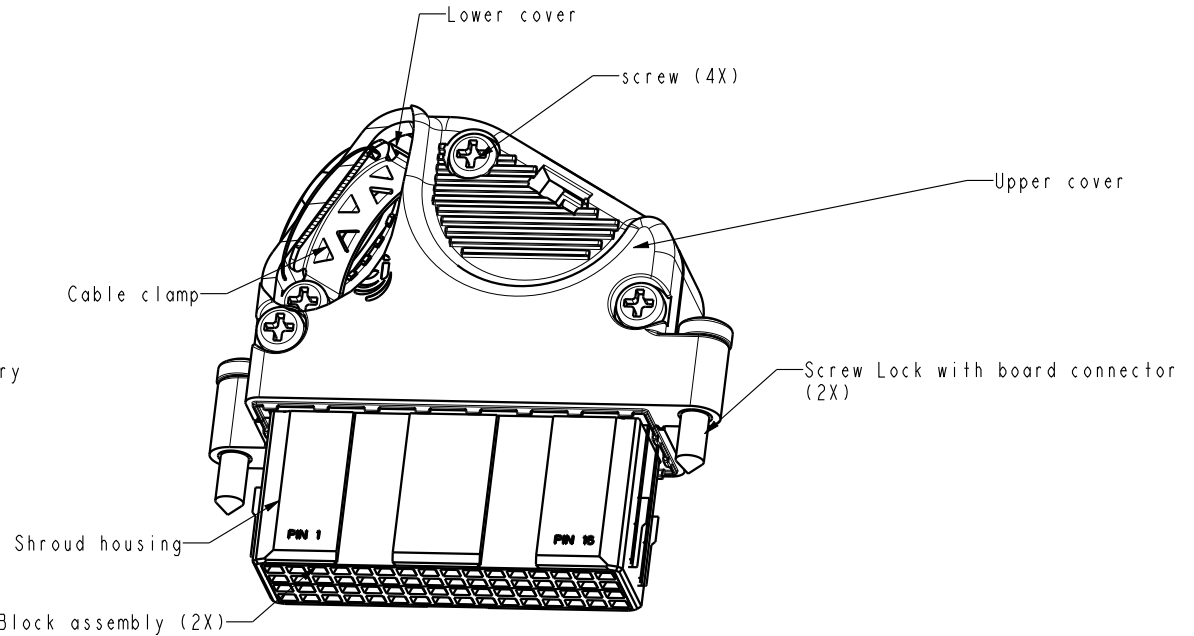
spec ref	*	dr	Junon Huang	2009/02/26	projection	MM	size	A4	scale	1.500		
tolerance std	TOLERANCES UNLESS OTHERWISE SPECIFIED	eng	Narayanan, Aru	2020/10/29			← →	ecn no	ELX-I-38774-1			
ISO 406 ISO 1101		chr	-	-				rel level	Released			
surface	✓	appr	Kuriakose, San	2020/10/29	product family		rel level	Released				
ISO 1302		linear	0.X	±0.3	Amphenol FCi	title	64 pos VDSL		dwg no	10089331	rev G	
		0.XX	±0.15	cat. no.		*	Product - Customer Drw					sheet 1 of 2
	angular	0°	±2°									

# BOM of cable kits 10089331

CONNECTOR PART NUMBER	COMPONENT PART DETAILS & (QTY)						
	UPPER COVER(1)	LOWER COVER(1)	SHROUD HOUSING (1)	TERMINAL BLOCK ASSEMBLY (2)	CABLE CLAMP (1)	SCREW LOCK WITH BOARD CONNECTOR (2)	SCREW TO COVER & CLAMP (4)
10089331-101LF	10089846-001LF	10089847-001LF	10089845-001LF	10090402-001LF	10089848-001LF	10087047-002LF	10089066-002LF
10089331-102LF	10089846-001LF	10089847-001LF	10089845-001LF	10090402-002LF	10089848-001LF	10087047-002LF	10089066-002LF
10089331-103LF	10089846-001LF	10089847-001LF	10089845-001LF	10090402-001LF	10089848-001LF	10087047-001LF	10089066-002LF
10089331-104LF	10089846-001LF	10089847-001LF	10089845-001LF	10090402-002LF	10089848-001LF	10087047-001LF	10089066-002LF

**NOTE:**

- This product is not intended to be exposed to a manufacturing solder process.
- Material:  
Diecasting : Zn alloy with cu ,nickel & pure tin plating  
Shroud: PBT  
Terminal; Copper alloy  
Screw: stainless steel
- Applicable individual wire insulation  $\varnothing 0.90$  MM max.
- For plating performance refer drawing # 10159408.
- Outer cable O.D:9.7mm-11mm.
- This product meets europe union directives and other country regulations as described in GS-47-0004.
- A symbol will be next to any dimension, view, or note which has been modified with the current drawing revision.



spec ref	*	dr	Junon Huang	2009/02/26	projection	MM	size	A4	scale	2.000	
tolerance std	TOLERANCES UNLESS OTHERWISE SPECIFIED	eng	Narayanan, Aru	2020/10/29			ecn no ELX-I-38774-1				
ISO 406		chr	-	-			rel level Released				
ISO 1101		appr	Kuriakose, San	2020/10/29	product family						
surface	linear	Amphenol FCI	title 64 pos VDSL Cable connector			dwg no	10089331		rev G		
ISO 1302	0.X										±0.3
	0.XX										±0.15
	0.XXX	±0.050									
	angular	0°	±2°	cat. no.	*	Product - Customer Drw		sheet 2 of 2			