

1438454-1 ✓ ACTIVE

AMP 0.64 Connector System

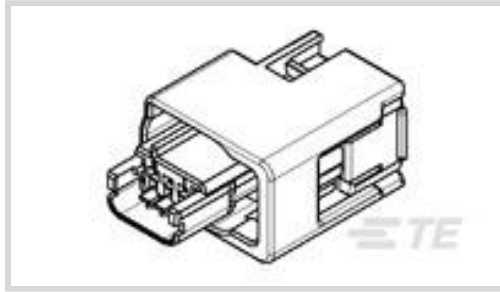
TE Internal #: 1438454-1

Wire-to-Wire, 3 Position, .1 in [2.54 mm] Centerline, Sealable, Black, Signal, Cable Mount (Free-Hanging), AMP 0.64 Connector System

[View on TE.com >](#)



Connectors > Automotive Connectors > Automotive Housings



Mating Tab Width: .64 mm [ .025 in ]

Connector System: **Wire-to-Wire**

Number of Positions: **3**

Centerline (Pitch): **2.54 mm [ .1 in ]**

Sealable: **Yes**

### Features

#### Product Type Features

Connector Shape	Rectangular
Connector System	Wire-to-Wire
Sealable	Yes
Hybrid Connector	No

#### Configuration Features

Number of Positions	3
Number of Rows	1

#### Body Features

Primary Product Color	Black
Connector & Keying Code	A

#### Contact Features

Contact Size	.64mm
Mating Tab Width	.64 mm[.025 in]

#### Mechanical Attachment

Terminal Position Assurance	No
Strain Relief	Without
Mating Alignment Type	Keyed
Mating Alignment	With



Connector Mounting Type	Cable Mount (Free-Hanging)
-------------------------	----------------------------

### Housing Features

Housing Material	Nylon 6/6 GF35
Centerline (Pitch)	2.54 mm[.1 in]

### Dimensions

Connector Height	15.85 mm[.624 in]
Product Width	15.85 mm[.624 in]

### Usage Conditions

Operating Temperature (Max)	70 °C, 75 °C, 80 °C, 85 °C, 90 °C, 100 °C, 105 °C, 110 °C, 120 °C, 125 °C[158 °F][167 °F][176 °F][185 °F][194 °F][212 °F][221 °F][230 °F][248 °F][257 °F]
Operating Temperature Range	-40 – 125 °C[-40 – 257 °F]

### Operation/Application

Circuit Application	Signal
---------------------	--------

### Industry Standards

Agency/Standard	SAE/USCAR-2 8/97
UL Flammability Rating	UL 94HB

### Packaging Features

Packaging Quantity	25
Packaging Method	Package

### Other

Connector Position Assurance Capable	Yes
--------------------------------------	-----

## Product Compliance

[For compliance documentation, visit the product page on TE.com>](#)

EU RoHS Directive 2011/65/EU	Compliant
EU ELV Directive 2000/53/EC	Compliant
China RoHS 2 Directive MIIT Order No 32, 2016	No Restricted Materials Above Threshold
EU REACH Regulation (EC) No. 1907/2006	Current ECHA Candidate List: JUNE 2023 (235) Candidate List Declared Against: JAN 2023 (233) Does not contain REACH SVHC


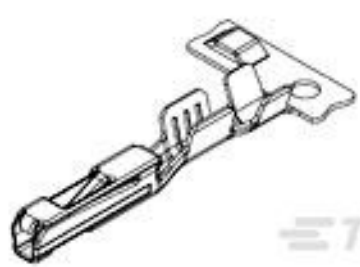
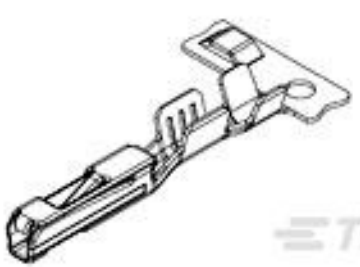

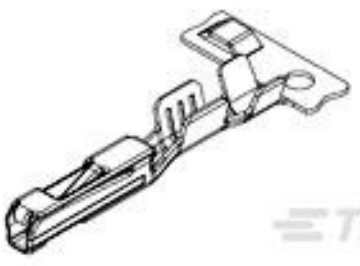

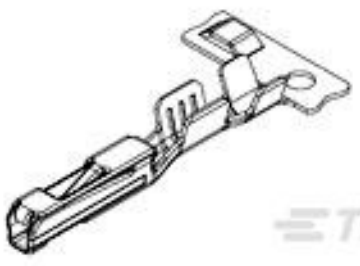

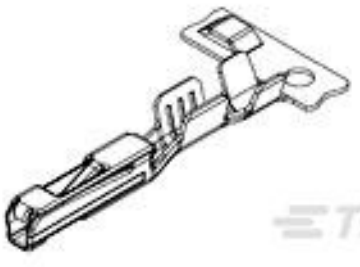



Halogen Content	Low Halogen - Br, Cl, F, I < 900 ppm per homogenous material. Also BFR/CFR/PVC Free
Solder Process Capability	Not applicable for solder process capability

Product Compliance Disclaimer

This information is provided based on reasonable inquiry of our suppliers and represents our current actual knowledge based on the information they provided. This information is subject to change. The part numbers that TE has identified as EU RoHS compliant have a maximum concentration of 0.1% by weight in homogenous materials for lead, hexavalent chromium, mercury, PBB, PBDE, DBP, BBP, DEHP, DIBP, and 0.01% for cadmium, or qualify for an exemption to these limits as defined in the Annexes of Directive 2011/65/EU (RoHS2). Finished electrical and electronic equipment products will be CE marked as required by Directive 2011/65/EU. Components may not be CE marked. Additionally, the part numbers that TE has identified as EU ELV compliant have a maximum concentration of 0.1% by weight in homogenous materials for lead, hexavalent chromium, and mercury, and 0.01% for cadmium, or qualify for an exemption to these limits as defined in the Annexes of Directive 2000/53/EC (ELV). Regarding the REACH Regulation, the information TE provides on SVHC in articles for this part number is based on the latest European Chemicals Agency (ECHA) 'Guidance on requirements for substances in articles' posted at this URL: <https://echa.europa.eu/guidance-documents/guidance-on-reach>

### Compatible Parts

 <p>TE Part # 638551-3 CONTACT,FEMALE,0.64MM,SN,18-20</p>	 <p>TE Part # 1326028-3 0.64MM FEMALE CONTACT,AU,18-20</p>	 <p>TE Part # 1326028-5 .64MM FEM CONT,AU,18-20,FORMED</p>	 <p>TE Part # 638551-1 CONTACT,FEMALE,0.64MM,SN,18-20</p>
 <p>TE Part # 1326028-2 0.64MM FEMALE CONTACT,AU,22AWG</p>	 <p>TE Part # 638551-4 CONTACT,FEMALE,0.64MM,SN,22</p>	 <p>TE Part # 1326028-1 0.64MM FEMALE CONTACT,AU,18-20</p>	 <p>TE Part # 638551-2 CONTACT,FEMALE,0.64MM,SN,22</p>
 <p>TE Part # 1326028-4 0.64MM FEMALE CONTACT,AU,22AWG</p>	 <p>TE Part # 1326028-6 0.64MM FEMALE CONTACT,AU,22AWG</p>		

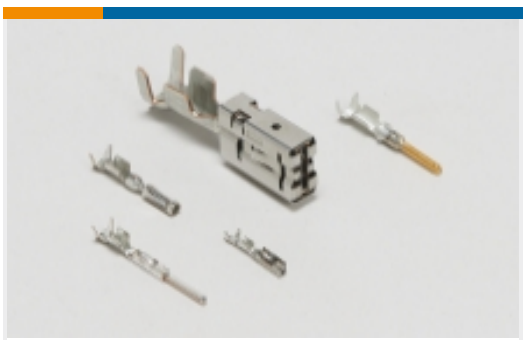
Also in the Series | **AMP 0.64 Connector System**



Automotive Connector Caps & Covers (20)



Automotive Housings(35)



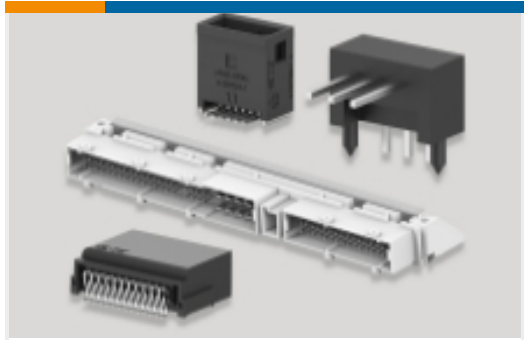
Automotive Terminals(15)



Insertion & Extraction Tools(1)



Other Automotive Connector Accessories(2)



PCB Headers & Receptacles(43)

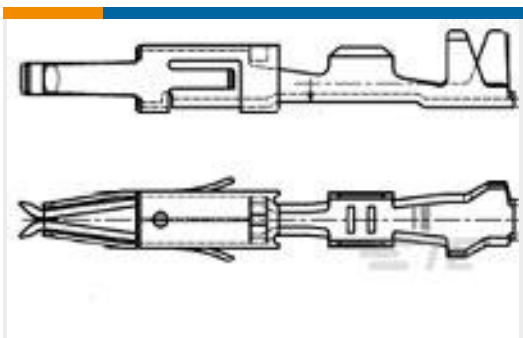
## Customers Also Bought



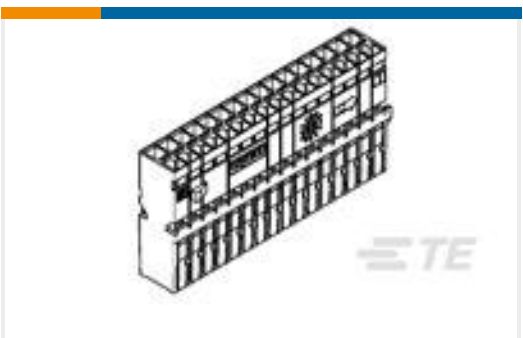
TE Part #1-1419168-1  
MARKET 1X6 FEMALE SEALED



TE Part #1326032-3  
2.8MM RECP,SEAL,18AWG



TE Part #968052-1  
MT3 REC 1.6 Contact SRC Sn



TE Part #1326141-1  
32WAY LAC RECEPTACLE CARRIER H



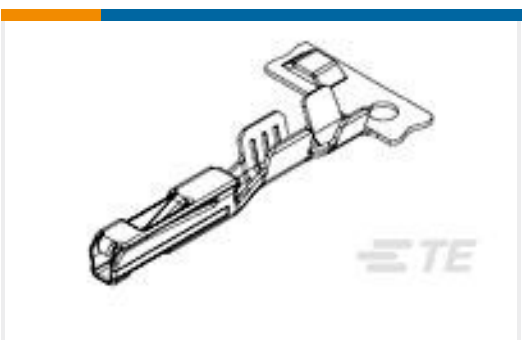
TE Part #184207-1  
2 POS. PLUG ASSY, KEY J



TE Part #184042-1  
1 POS. PLUG ASSY, KEY A



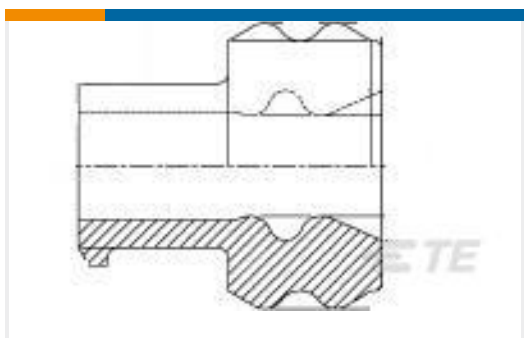
TE Part #1062-20-0322  
SOC, SF, SIZE 20, 16-22, SLEVLSS, NI /NI



TE Part #1326028-2  
0.64MM FEMALE CONTACT,AU, 22AWG



TE Part #1745003-1  
18 POS. FRAME ASSY CRIMP/CRIMP



TE Part #368940-1  
WIRE SEAL FOR ABS 25P(3.3-3.8)

## Documents



### Product Drawings

#### 0.64MM,3 POSN SEALED PLUG ASSY

English

---

### CAD Files

#### 3D PDF

3D

#### Customer View Model

[ENG\\_CVM\\_CVM\\_1438454-1\\_B.2d\\_dxf.zip](#)

English

#### Customer View Model

[ENG\\_CVM\\_CVM\\_1438454-1\\_B.3d\\_igs.zip](#)

English

#### Customer View Model

[ENG\\_CVM\\_CVM\\_1438454-1\\_B.3d\\_stp.zip](#)

English

By downloading the CAD file I accept and agree to the [Terms and Conditions](#) of use.

---

### Instruction Sheets

#### Instruction Sheet (U.S.)

English