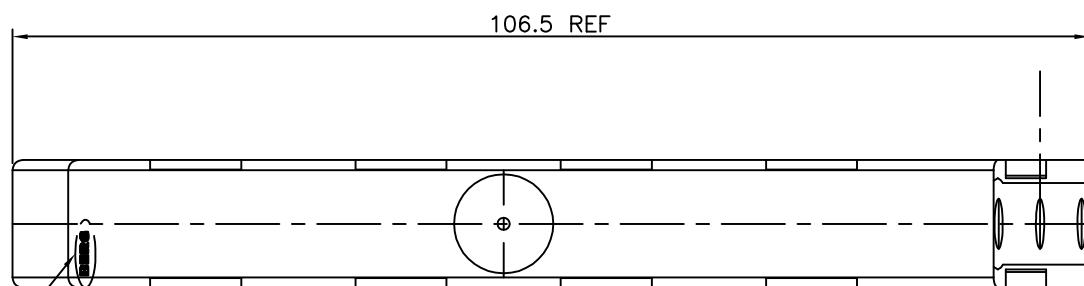


PRODUCT NUMBER 65204-002

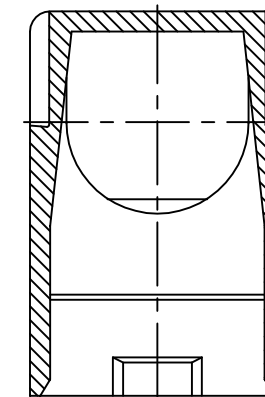
MATERIAL: MODIFIED POLYPHENYLENE OXIDE (NORYL)
COLOUR: BLACK UL-94-VI



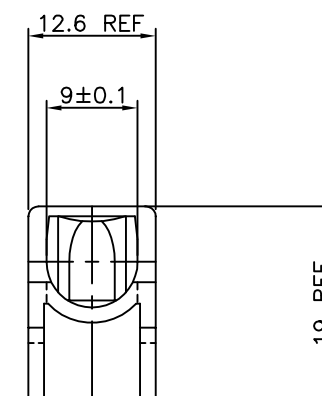
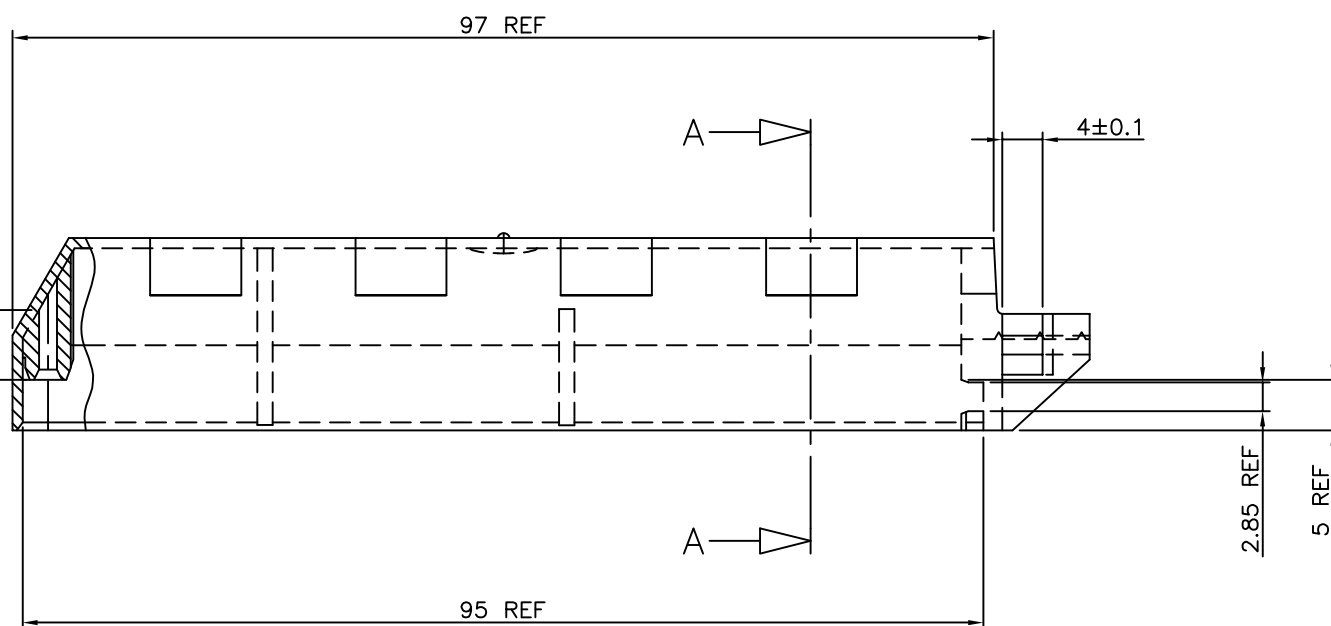
DETAIL B



DETAIL B
SCALE 4:1

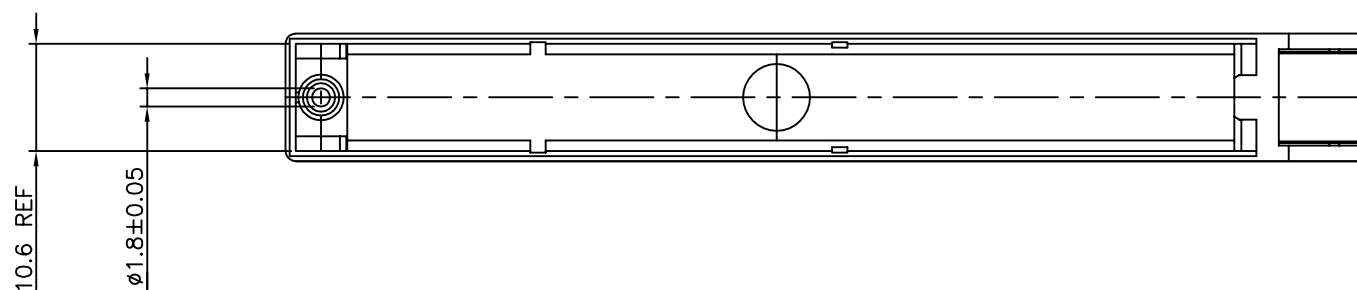


SECTION A-A
SCALE 4:1



NOTES:-

1. THIS PRODUCT MEETS EUROPEAN UNION DIRECTIVES AND OTHER COUNTRY REGULATIONS AS DESCRIBED IN GS-22-008.
2. LEADFREE OR RoHS DIRECTIVE LABELLING TO BE PROVIDED AS PER GS-14-920.
3. " LF " SUFFIX TO PRODUCT NUMBER FOR RoHS COMPATIBLE/ LEADFREE VERSION.
4. PARTS WITH AND WITHOUT "LF " SUFFIX ARE FORM-FIT AND FUNCTIONALLY IDENTICAL. " LF " SUFFIX PROVIDED FOR PART NUMBER STANDARDISATION OF PART THAT MEETS RoHS REQUIREMENTS.



mat'l. code SEE NOTE 1		surface ISO 1302 ✓		tolerance ISO 406 ISO 1101		projection mm		product family BACKPANEL	
ltr ecn no dr date		tolerances unless otherwise specified		angles linear		scale -		title COVER LOW PROFILE	
C	F00406	LLA	2000-04-27					dwg no sheet 1 of 1 size	
D	F00862	GCO	2000-12-04					65204 A3	
E	F20104	DLE	2002-01-10					type Product Customer Drawing	
F	F20343	DLE	2002-06-06	dr	G.CORBOZ	2000-12-04			
G	I05-0123	MINI	2005-07-27	enr	J.F.NOTTEAU	2000-12-04			
H	I05-0248	MINI	2005-11-22	chr	RAKHEE GEORGE	2006-06-01			
J	I06-0068	MINI	2006-06-01	appd	RAKHEE GEORGE	2006-06-01			
sheet index	revision sheet	J	1						