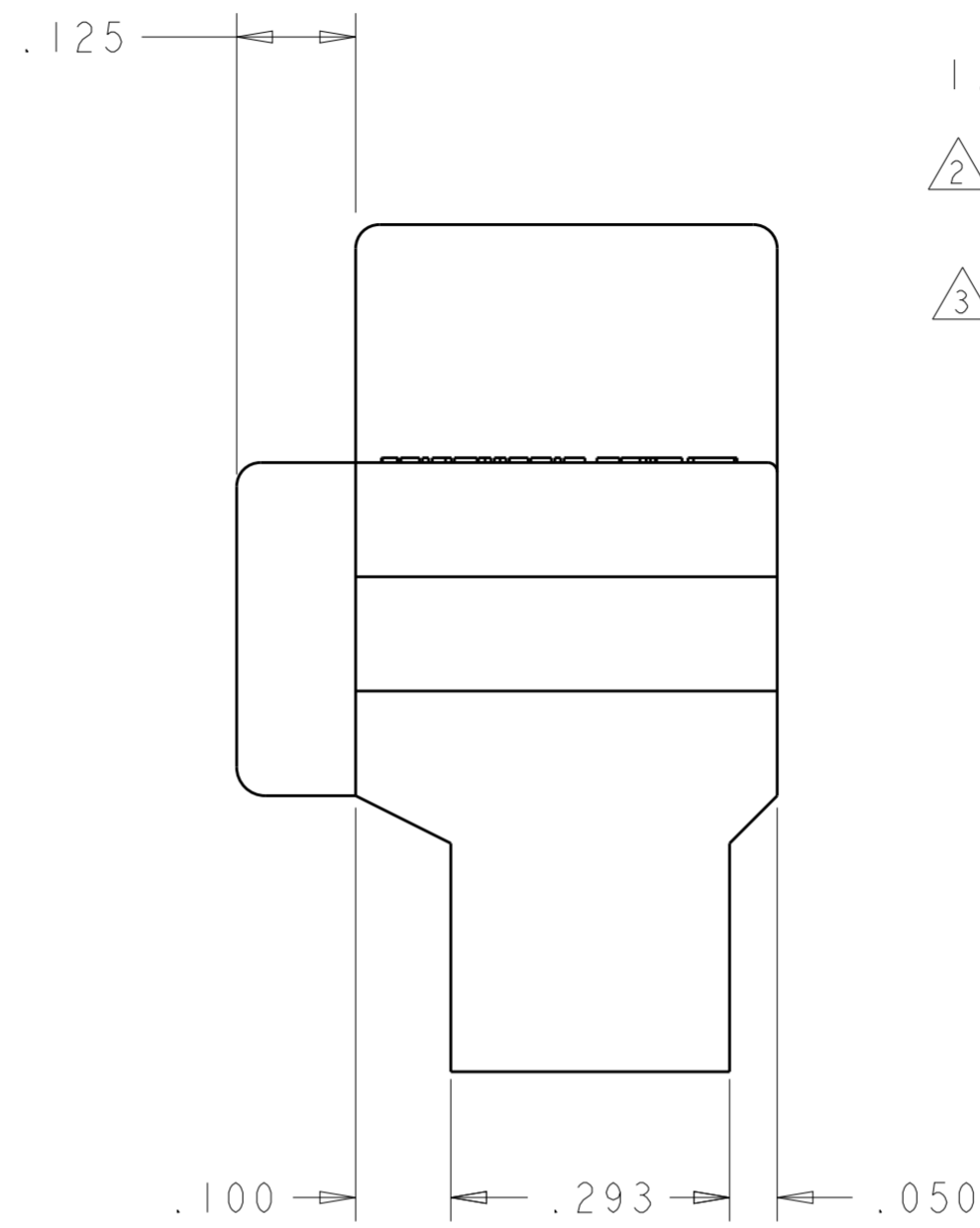
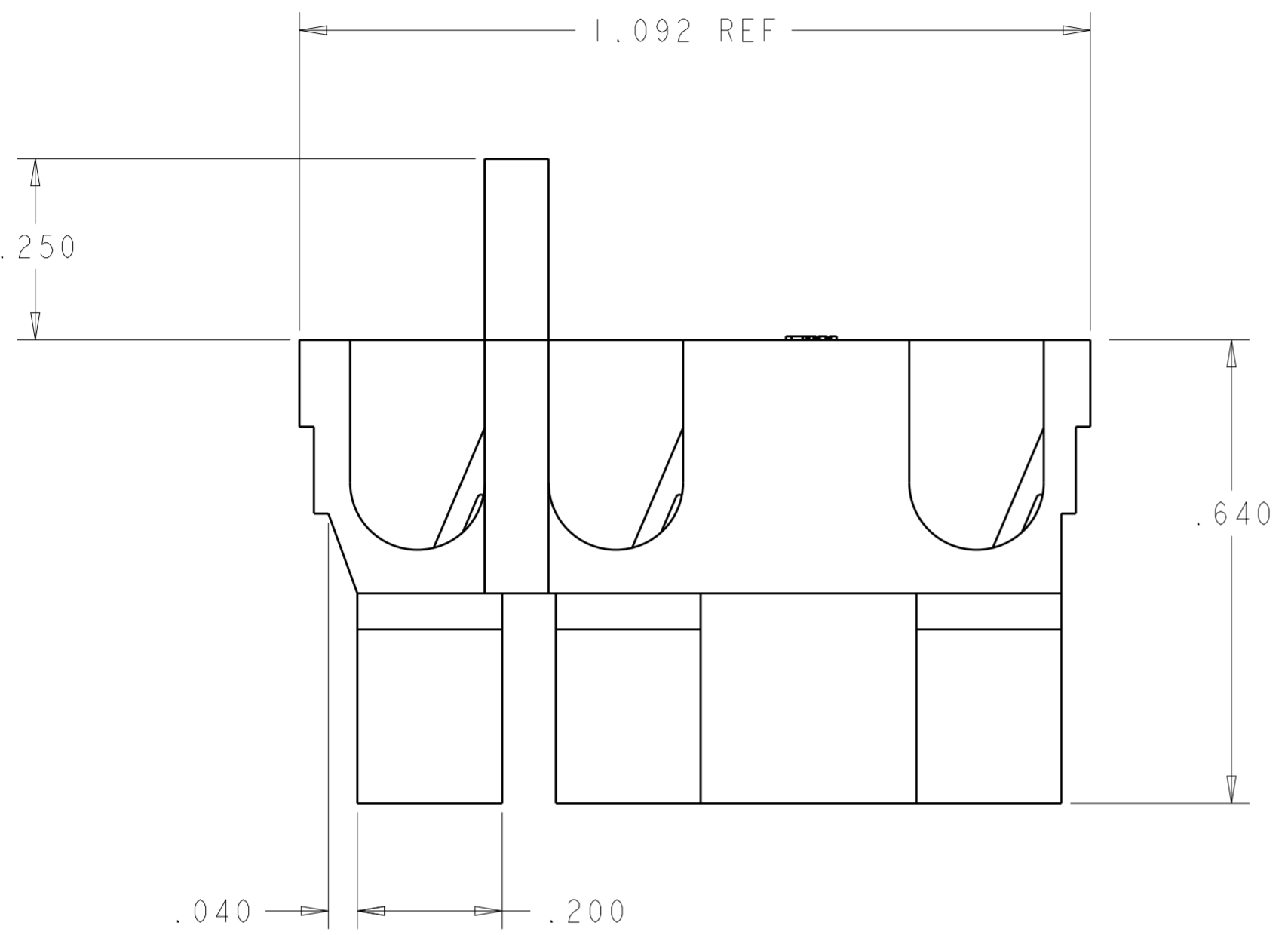
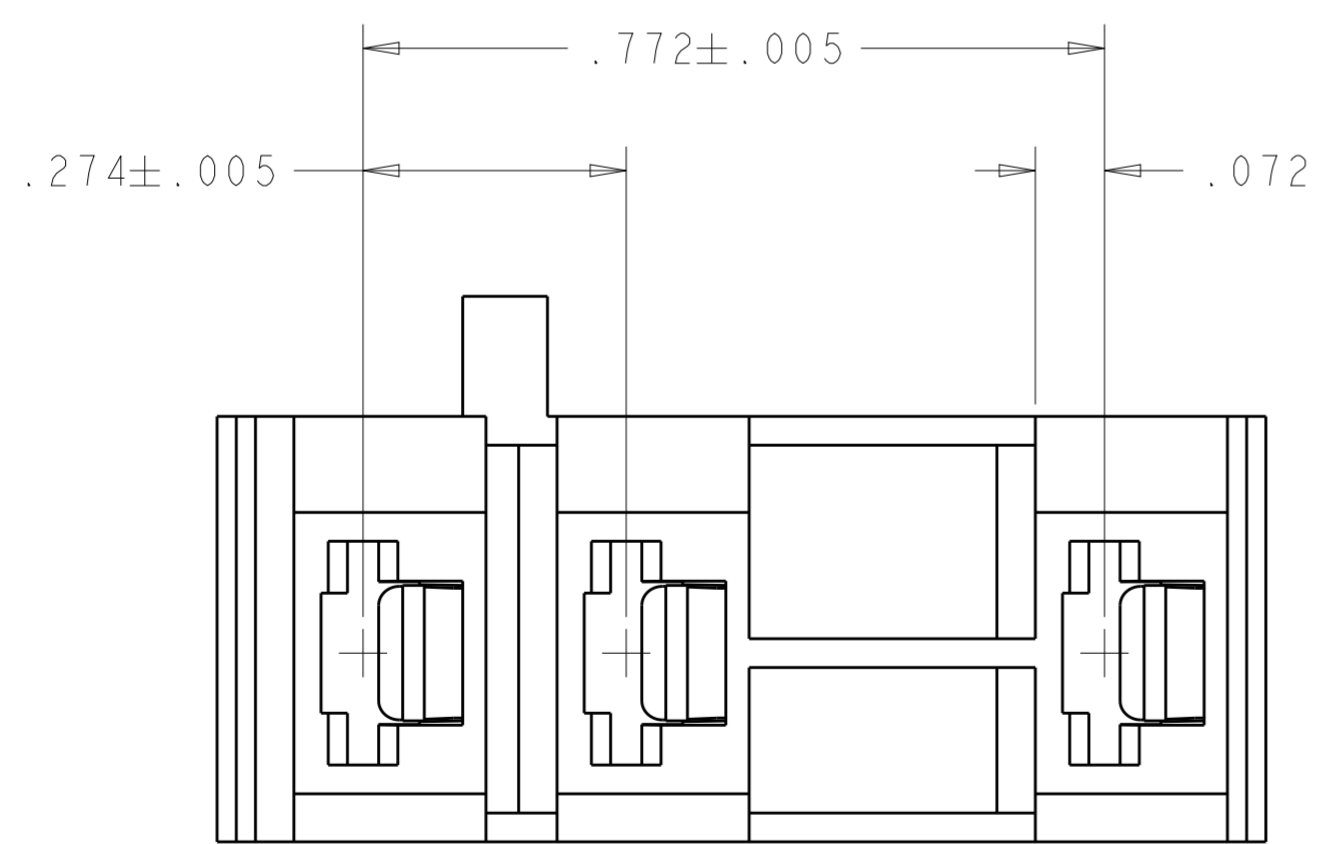
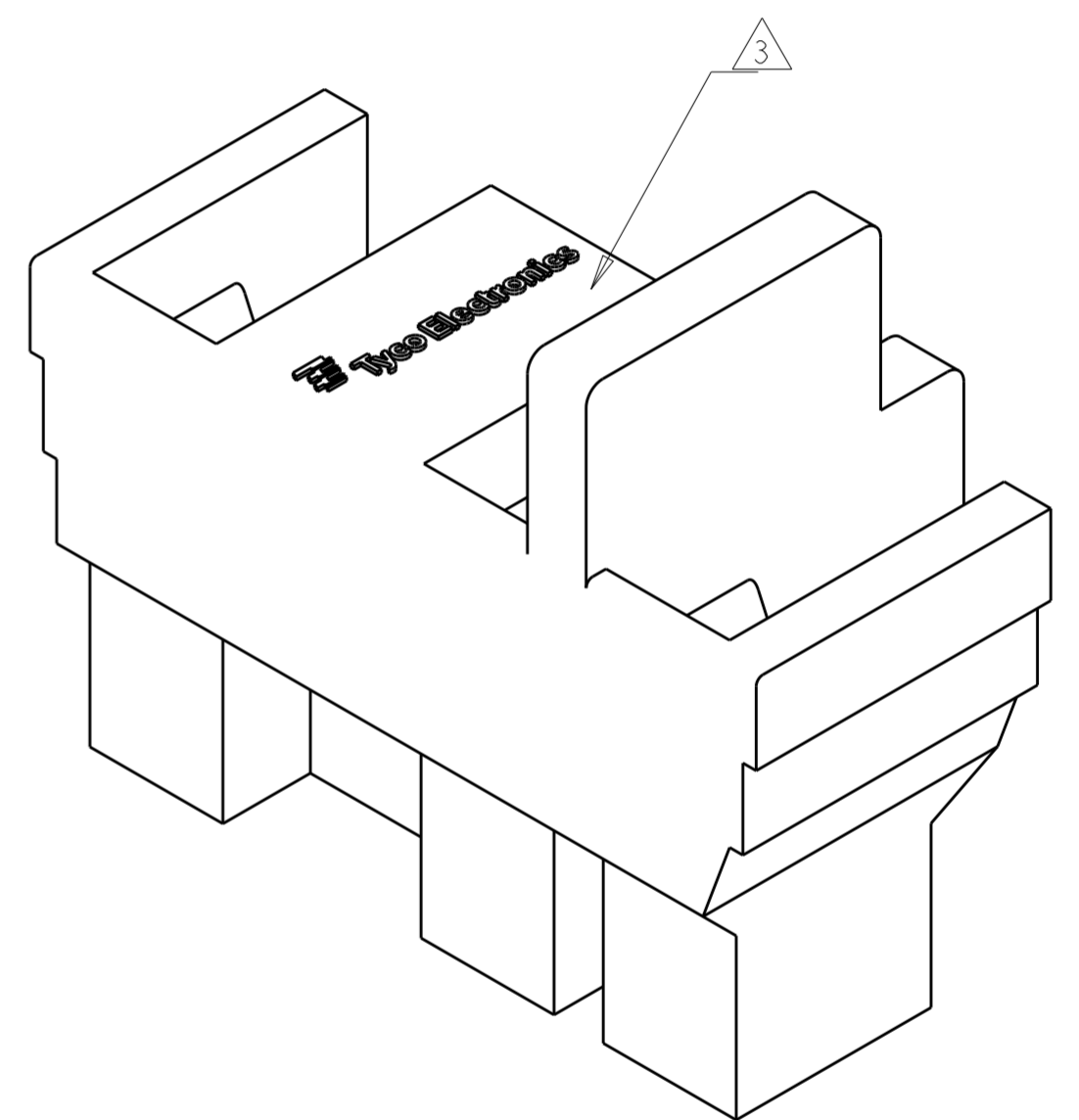


THIS DRAWING IS UNPUBLISHED. RELEASED FOR PUBLICATION 20  
 © COPYRIGHT 20 BY - ALL RIGHTS RESERVED.

REVISIONS				
P	LTR	DESCRIPTION	DATE	APVD
A3		REVISED PER ECR-19-006363	02MAY2019	BDA DS



- 1. MINIMUM TAB LENGTH .325
- 2. GLOW WIRE APPROVED MATERIAL, CONTACT TE ENGINEERING FOR SPECIFICATIONS
- 3. MATERIAL SYMBOL APPROX LOCATION AS SHOWN



	NATURAL	NYLON 66, V0, GWT	1-521787-1
	NATURAL	6 NYLON, V-2	521787-2 <sup>2</sup>
SUPERSEDED BY 1-521787-1	NATURAL	NYLON 66, V0	<del>521787-1</del>
	COLOR	MATERIAL	PART NUMBER

THIS DRAWING IS A CONTROLLED DOCUMENT.		DWN R FLAIG 09FEB2005	<b>STE</b> TE Connectivity	
DIMENSIONS: INCHES		CHK P DESANTIS 09FEB2005		
TOLERANCES UNLESS OTHERWISE SPECIFIED:		APVD P DESANTIS 09FEB2005	NAME HOUSING, RECEP, FLAG, FASTON, .187 SERIES	
0 PLC ±		PRODUCT SPEC	SIZE CAGE CODE DRAWING NO RESTRICTED TO	
1 PLC ±		APPLICATION SPEC	A200779 C-521787	
2 PLC ±		WEIGHT	SCALE 5:1 SHEET 1 OF 1 REV A3	
3 PLC ±.010				
4 PLC ±				
ANGLES ±2°				
FINISH				
MATERIAL				
		CUSTOMER DRAWING		