

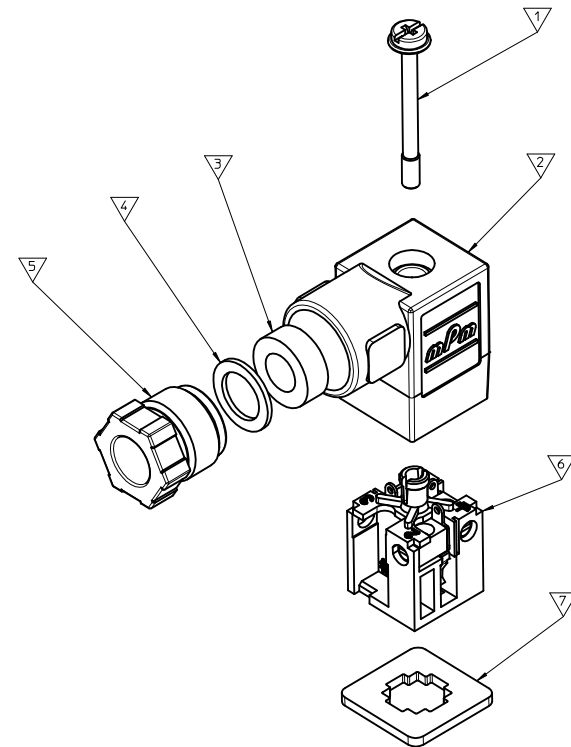
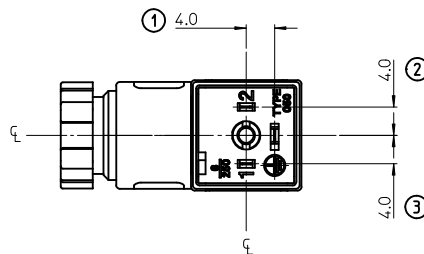
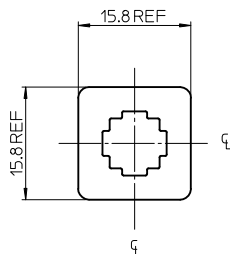
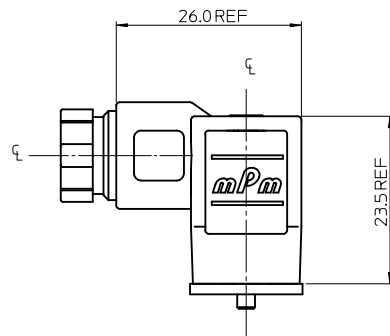
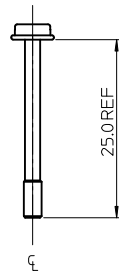
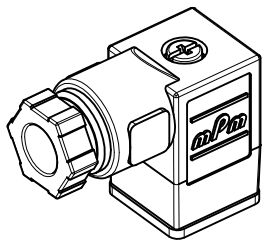
NOTES:

1. THREAD SIZE: PG7
2. LOGO: MPM
3. EARTH POSITION: H12
4. PACKAGING: FESTO PACK SEE RPK-121178-001

LAST INSPECTION NUMBER 3

ITEM	DESCRIPTION
1	25mm M2.5 SCREW
2	TRANSPARENT COVER PG7
3	PG7 GROMMET NBR
4	METAL WASHER
5	PG7 NUT BLACK
6	2P INSERT BLACK WITH CIRCUIT
7	NBR FLAT GASKET

ORIGINAL RELEASE EC NO: WEU2011-0147 CHKD: DMAHER_WEU 2010/09/28 APPR: EFOLAN 2010/10/18 REV A	QUALITY SYMBOLS	GENERAL TOLERANCES (UNLESS SPECIFIED) <table border="1"> <tr> <td></td> <td>mm</td> <td>INCH</td> </tr> <tr> <td>4 PLACES</td> <td>±.005</td> <td>±.0005</td> </tr> <tr> <td>3 PLACES</td> <td>±.002</td> <td>±.0002</td> </tr> <tr> <td>2 PLACES</td> <td>±0.1</td> <td>±.004</td> </tr> <tr> <td>1 PLACE</td> <td>±0.2</td> <td>±.008</td> </tr> <tr> <td colspan="3">ANGULAR ±.005</td> </tr> </table>		mm	INCH	4 PLACES	±.005	±.0005	3 PLACES	±.002	±.0002	2 PLACES	±0.1	±.004	1 PLACE	±0.2	±.008	ANGULAR ±.005			DIMENSION STYLE MM ONLY		SCALE 2:1	DESIGN UNITS METRIC	THIRD ANGLE PROJECTION
			mm	INCH																					
	4 PLACES		±.005	±.0005																					
	3 PLACES		±.002	±.0002																					
2 PLACES	±0.1	±.004																							
1 PLACE	±0.2	±.008																							
ANGULAR ±.005																									
DESCRIPTION	<table border="1"> <tr> <td>DRAWN BY</td> <td>DATE</td> <td>TITLE</td> </tr> <tr> <td>DMAHER_WEU</td> <td>2010/09/28</td> <td>S05207TC322-EV S052 FESTO SPECIAL</td> </tr> <tr> <td>CHECKED BY</td> <td>DATE</td> <td></td> </tr> <tr> <td>M SHANAHAN</td> <td></td> <td></td> </tr> <tr> <td>APPROVED BY</td> <td>DATE</td> <td></td> </tr> <tr> <td>EFOLAN</td> <td>2010/10/18</td> <td></td> </tr> </table>	DRAWN BY	DATE	TITLE	DMAHER_WEU	2010/09/28	S05207TC322-EV S052 FESTO SPECIAL	CHECKED BY	DATE		M SHANAHAN			APPROVED BY	DATE		EFOLAN	2010/10/18		MOLEX INCORPORATED					
DRAWN BY	DATE	TITLE																							
DMAHER_WEU	2010/09/28	S05207TC322-EV S052 FESTO SPECIAL																							
CHECKED BY	DATE																								
M SHANAHAN																									
APPROVED BY	DATE																								
EFOLAN	2010/10/18																								
	DRAFT WHERE APPLICABLE MUST REMAIN WITHIN DIMENSIONS	MATERIAL NO. 1211780027	DOCUMENT NO. SD-121178-027	SHEET NO. 1 OF 1																					
		THIS DRAWING CONTAINS INFORMATION THAT IS PROPRIETARY TO MOLEX INCORPORATED AND SHOULD NOT BE USED WITHOUT WRITTEN PERMISSION																							



NOTES:

1. THREAD SIZE: PG7
2. LOGO: MPM
3. EARTH POSITION: H12
4. PACKAGING: FESTO PACK SEE RPK-121178-001

LAST INSPECTION NUMBER 3

ITEM	DESCRIPTION
1	25mm M2.5 SCREW
2	TRANSPARENT COVER PG7
3	PG7 GROMMET NBR
4	METAL WASHER
5	PG7 NUT BLACK
6	2P INSERT BLACK WITH CIRCUIT
7	NBR FLAT GASKET

ORIGINAL RELEASE EC NO: WEU2011-0147 CHKD: DMAHER.WEU 2010/09/28 APPR: EFOLAN 2010/10/18 REV A	QUALITY SYMBOLS	GENERAL TOLERANCES (UNLESS SPECIFIED) mm INCH 4 PLACES ±--- ±--- 3 PLACES ±--- ±--- 2 PLACES ±0.1 ±--- 1 PLACE ±0.2 ±--- ANGULAR ±---° DRAFT WHERE APPLICABLE MUST REMAIN WITHIN DIMENSIONS	DIMENSION STYLE	SCALE	DESIGN UNITS	THIRD ANGLE PROJECTION
	▽=0		MM ONLY	2:1	METRIC	
	▽=0		DRAWN BY	DATE	TITLE	
			DMAHHER.WEU	2010/09/28	S05207TC322-EV S052 FESTO SPECIAL	
	APPROVED BY	DATE	MATERIAL NO.		DOCUMENT NO.	SHEET NO.
	EFOLAN	2010/10/18	1211780027		SD-121178-027	1 OF 1
			Molex MOLEX INCORPORATED THIS DRAWING CONTAINS INFORMATION THAT IS PROPRIETARY TO MOLEX INCORPORATED AND SHOULD NOT BE USED WITHOUT WRITTEN PERMISSION			