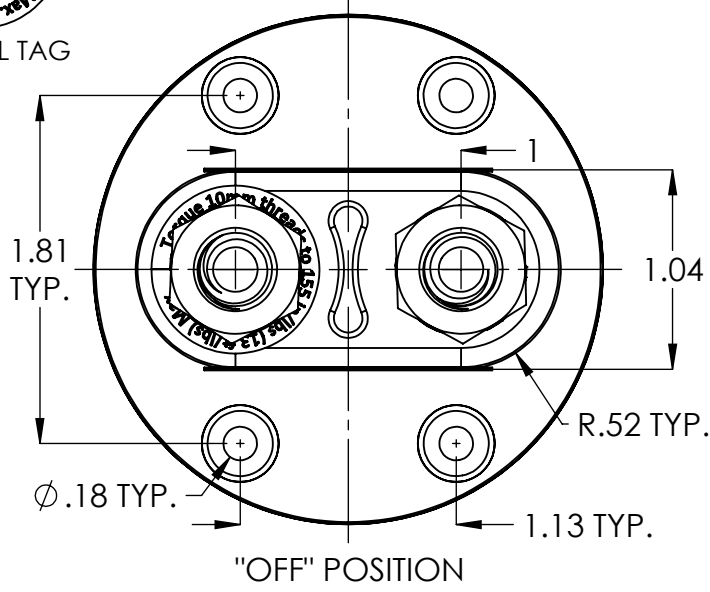
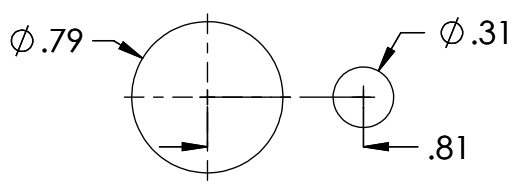


TERMINAL TAG

MOUNTING DETAIL



Technical data:

Key Material:	Plated Steel
Upper Housing Material:	Zinc Diecast
Lower Housing Material:	GP Phenolic
Min. Insulation Resistance:	100 Mohm
Dielectric Withstanding Voltage:	1,100V -1min
Voltage Drop Max.:	0.175 mV
Voltage:	48 VDC
Continuous Rating:	300 A
Overload:	1,100 A - 240sec. 1,500 A - 90sec. 2,000 A - 30sec
Sealing:	IP67
Vibration:	4G / 50-2KHz
Shock:	6G / 11ms
Temperature Range:	-40C to +85C
Terminal Torque:	155 in.lb
Mounting Torque:	18 ft.lb

503S-300 YYWW
48VDC-300AMPS

PRODUCT LABEL

UPC LABEL

1.5 TYP.

308 COMPONENTS DRIVE, SMITHFIELD, NC 27577 USA
DO NOT SCALE DRAWING

TITLE:
**BATTERY SWITCH,
48VDC-300AMPS,
KEYED**

BLANK WEIGHT: - PART WEIGHT: 0.75 LBS

SIZE **A** DWG. NO. **503S-300** REV. **D**
SCALE:1:2 FILENAME: 503S-300 WWW.SHALCO.COM

PROPRIETARY AND CONFIDENTIAL
This document contains proprietary data for products designed by Shallco, Inc., of Smithfield, NC. No disclosure; reproduction, or use of any part thereof may be made except by written permission.

REV.	DESCRIPTION	DATE	APP'D
REVISIONS			

DWG NO: 503S-300