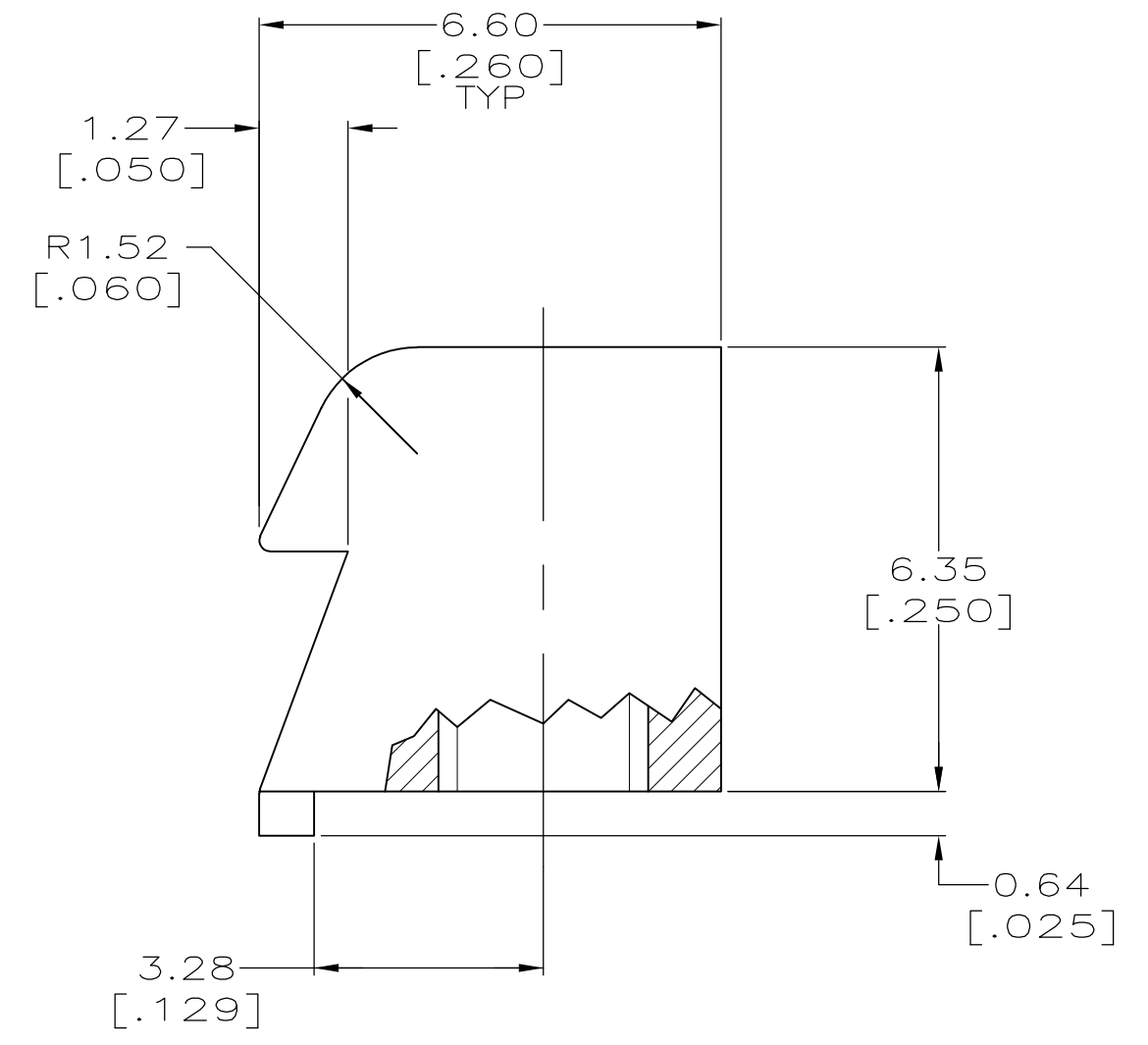
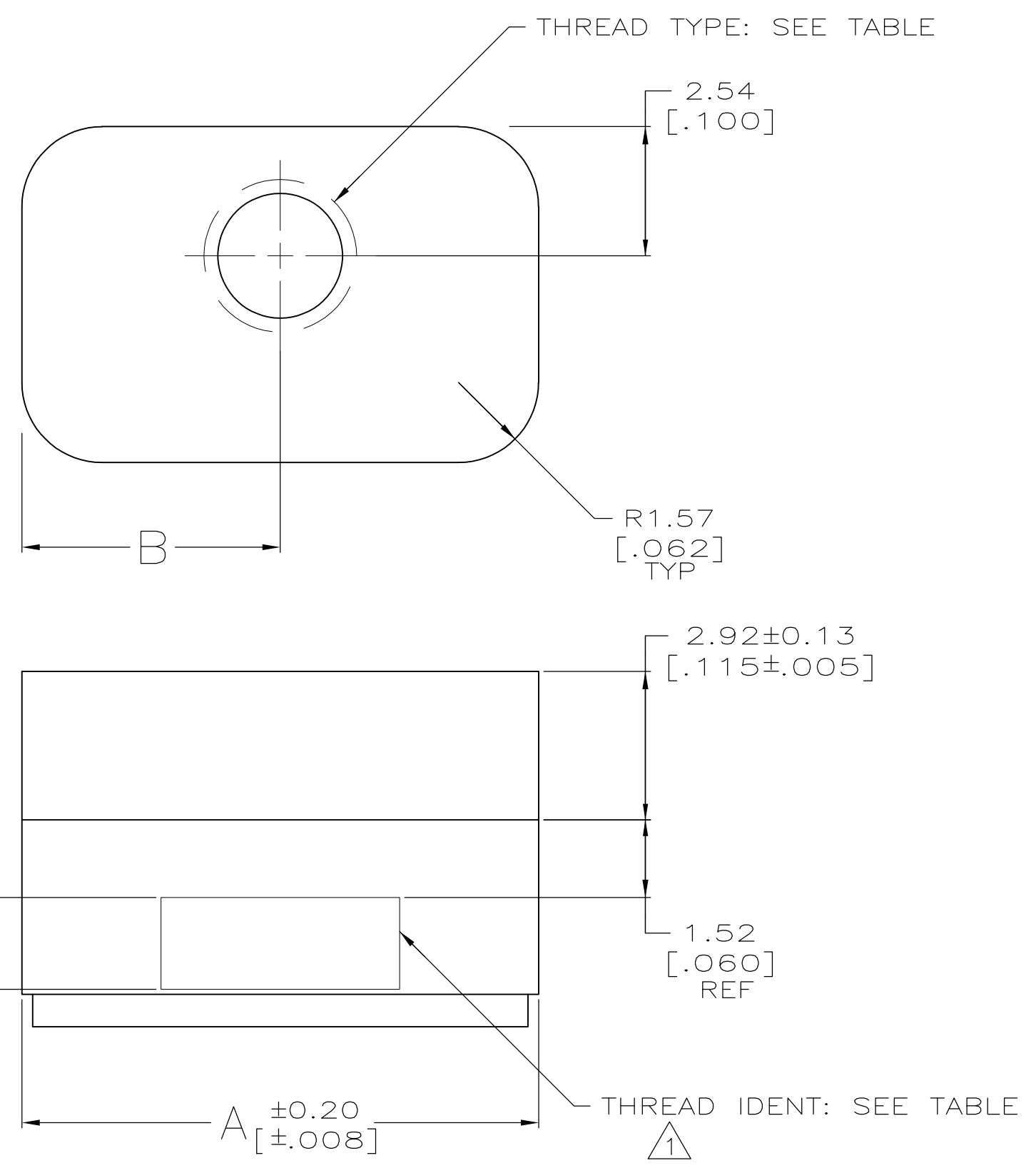


LOC	DIST	REVISIONS			
P	LTR	DESCRIPTION	DATE	OWN	APVD
GP	00	H1	REVISED PER ECO-11-004835	11MAR11	RK HMR



△ THREAD IDENTIFICATION LOCATED THIS AREA, 0.20 [0.008] MAX RAISED CHARACTERS.

4-40	ONE KIT PER BAG	2	4-40 UNC-2B	6.73 [0.265]	13.46 [0.530]	1-208101-1
4-40	BULK PACKAGED	2	4-40 UNC-2B	5.08 [0.200]	10.16 [0.400]	208101-9
4-40	ONE KIT PER BAG	2	4-40 UNC-2B	5.08 [0.200]	10.16 [0.400]	208101-8
M3	BULK PACKAGED	2	M3 X 0.5-6H	5.08 [0.200]	10.16 [0.400]	208101-2
M3	ONE KIT PER BAG	2	M3 X 0.5-6H	5.08 [0.200]	10.16 [0.400]	208101-1
THREAD IDENT	PACKAGING	QUANTITY	THREAD TYPE	B	A	PART NUMBER

THIS DRAWING IS A CONTROLLED DOCUMENT.

DWN B. MCMASTER 10MAR04	 TE Connectivity		
CHK C. ROHDE 10MAR04			
APVD M. WALMSLEY 10MAR04			
NAME			
DIMENSIONS: mm[INCHES]	TOLERANCES UNLESS OTHERWISE SPECIFIED:	PRODUCT SPEC	LATCHING BLOCK, AMPLIMITE™
	0 PLC ± - 1 PLC ± - 2 PLC ± 0.25 [010] 3 PLC ± - 4 PLC ± - ANGLES ± ± -	APPLICATION SPEC	SIZE CAGE CODE DRAWING NO RESTRICTED TO
MATERIAL ZINC	FINISH -	WEIGHT -	A2 00779 C-208101
CUSTOMER DRAWING		SCALE 10:1	SHEET 1 OF 1 REV H1