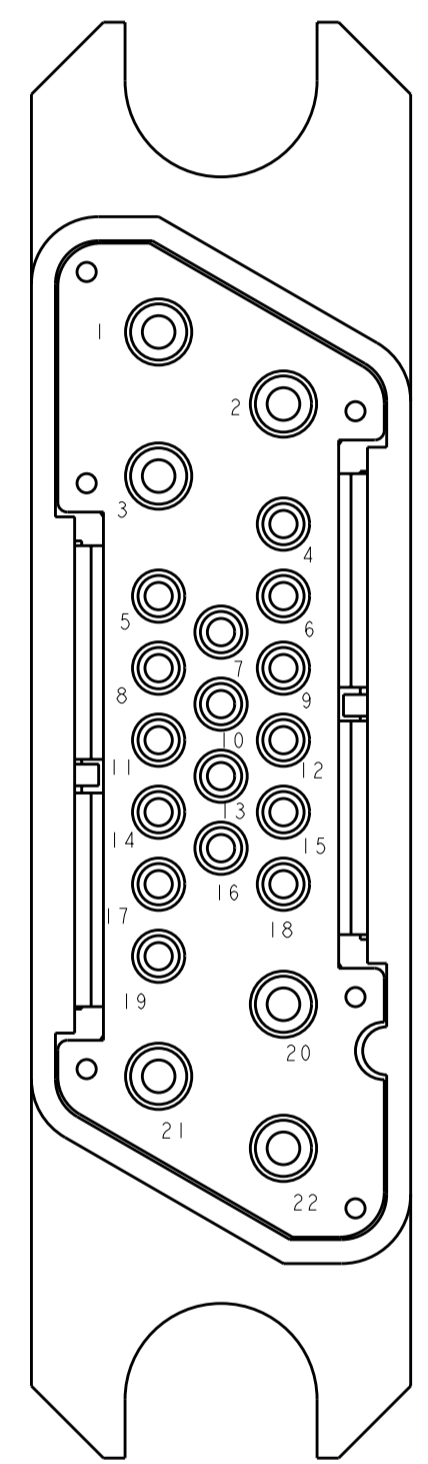
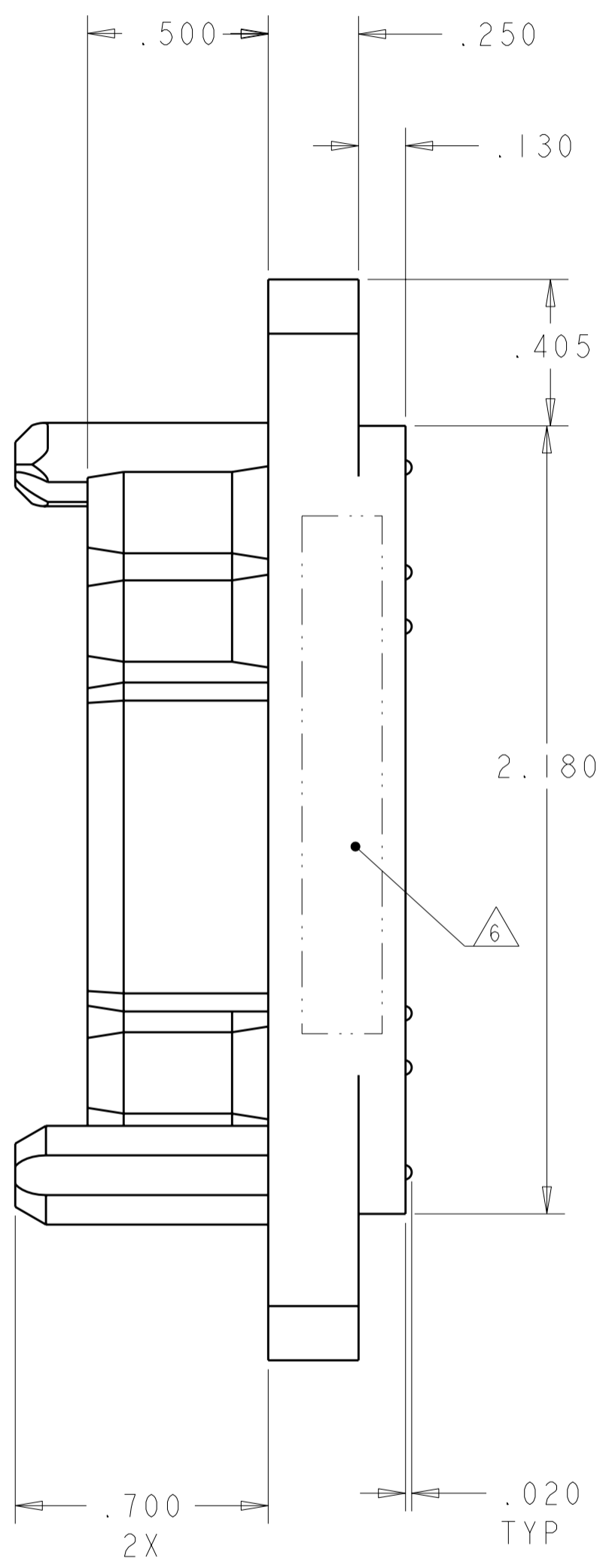
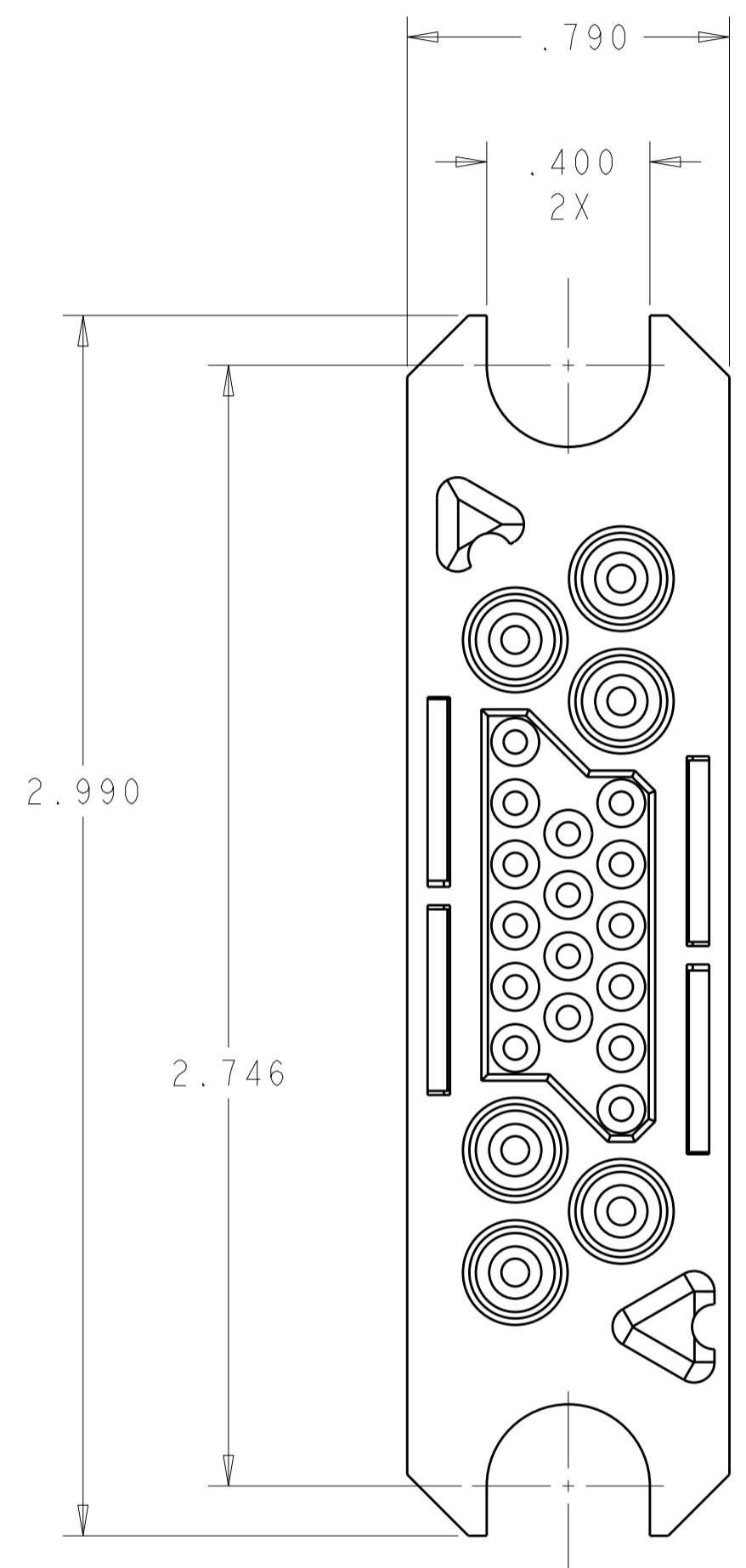


THIS DRAWING IS UNPUBLISHED. RELEASED FOR PUBLICATION 20  
 © COPYRIGHT 20 BY TYCO ELECTRONICS CORPORATION. ALL RIGHTS RESERVED.

LOC	DIST	REVISIONS					
GP	00	P	LTR	DESCRIPTION	DATE	DWN	APVD
			A	RELEASED	02SEP2008	RG	DO



SOCKET CONTACT (C)  
 SIZE #12

SOCKET CONTACT (B)  
 SIZE #20

SOCKET CONTACT (C)  
 SIZE #12

REAR VIEW

AS SHOWN	1926931-1
DESCRIPTION	PART NUMBER

ELCON MINI DRAWER

THIS DRAWING IS A CONTROLLED DOCUMENT FOR TYCO ELECTRONICS CORPORATION. IT IS SUBJECT TO CHANGE AND THE CONTROLLING ENGINEERING ORGANIZATION SHOULD BE CONTACTED FOR THE LATEST REVISION.		DWN R. GRZYBOWSKI 18AUG08	Tyco Electronics Harrisburg, PA 17105-3608	
DIMENSIONS: INCHES		CHK D. ORRIS 18AUG08	NAME SOCKET CONNECTOR ASSEMBLY WITH CRIMP CONTACTS MINI DRAWER	
TOLERANCES UNLESS OTHERWISE SPECIFIED: 0 PLC ± 1 PLC ± 2 PLC ±.02 3 PLC ±.010 4 PLC ± ANGLES ± FINISH		APVD M. PERCHERKE 18AUG08	RESTRICTED TO	
MATERIAL		PRODUCT SPEC	SIZE A200779	CAGE CODE C-1926931
		APPLICATION SPEC	SCALE 3:1 SHEET 1 OF 2 REV A	
		WEIGHT	CUSTOMER DRAWING	

