

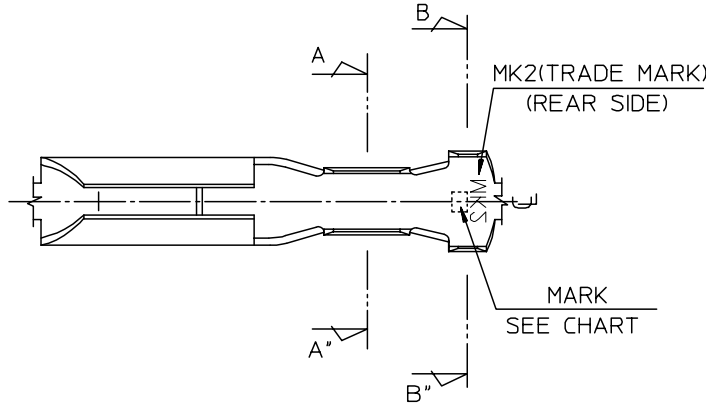
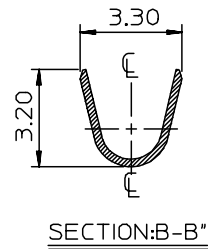
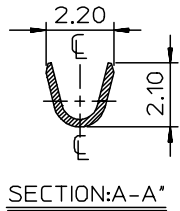
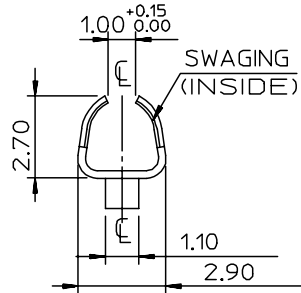
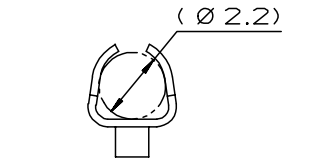
DWG. NO.  
SD-35716-001

SIMILAR ITEM

PROJECT NO.

B

DO NOT SCALE DRAWING  
DIMENSION IN METRIC



PITCH=16.40

NOTES

1. MATERIAL & PLATING: SEE CHART
2. MATING PIN : 2.36 DIA. ROUND PIN
3. APPLICABLE WIRE RANGE: AWG #24-#20  
INSULATION DIAMETER: 1.5-2.7mm
4. RECOMMENDED LENGTH OF WIRE STRIP IS 3.7-4.5mm.

CHART	ENG.NO.	ENG.NO.	MATERIAL	PLATING	MARK
	35716-0110	357160110	BRASS	PRE-TIN	I : (1UP LINE)
	35716-0111	357160111	PHOS.BRONZE	PRE-TIN	II : (2UP LINE)
	35716-0190	357160190	BRASS	PRE-Ni	N1 : (1UP LINE) N2 : (2UP LINE)
35716-0193	357160193	BRASS	PRE-Ni	SI : (1UP LINE) SII : (2UP LINE)	

REVISED ECN NO. KOR2004-0068 DRWN: C.B.CHIN 03/11/13 CHK: W.Y.YANG APPR: C.W.LEE	DESCRIPTION	QUALITY SYMBOLS	GENERAL TOLERANCES: (UNLESS SPECIFIED)		SCALE	DESIGN UNITS	THIRD ANGLE PROJECTION	DIMENSIONS:	SHT	REV
		MAJOR ▼ = 0	m/m	INCH	□ m/m □ INCH	□ mm □ INCH	□ mm ONLY	REVISION	DATE	
		CRITICAL ▽ = 0	4 PLACES ±0.	±-	DRAWN BY & DATE W.Y.YANG 91/10/14	TITLE: 2.36 DIA PIN RECEPTACLE TERMINAL				
			3 PLACES ±0.	±-	CHECKED BY & DATE B.K.CHOI 91/10/14	MOLEX INCORPORATED				
		2 PLACES ±0.30	±-	APPROVED BY & DATE C.W.LEE 91/10/14	CAD FILENAME S7160110.MI	MATERIAL NO. SEE CHART	DRAWING NO. SD-35716-001	SHEET NO. 10F1		
		1 PLACE ±0.30	±-	ANGULAR: ± °	DRAFT WHERE APPLICABLE MUST REMAIN WITHIN DIMENSIONS				THIS DRAWING CONTAINS INFORMATION THAT IS PROPRIETARY TO MOLEX INCORPORATED AND SHOULD NOT BE USED WITHOUT WRITTEN PERMISSION.	
G	REV									SIZE B