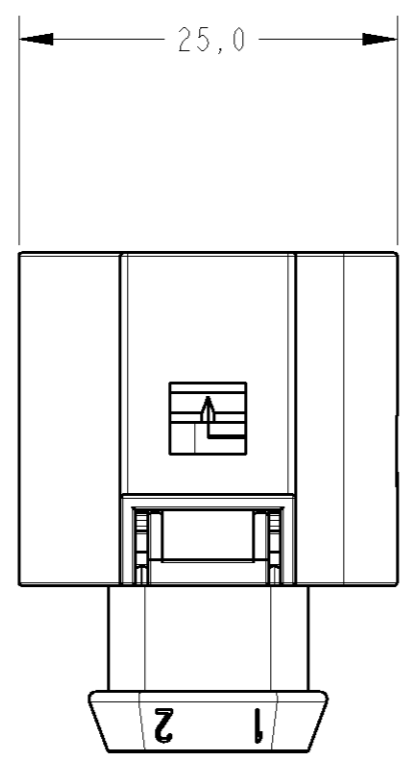
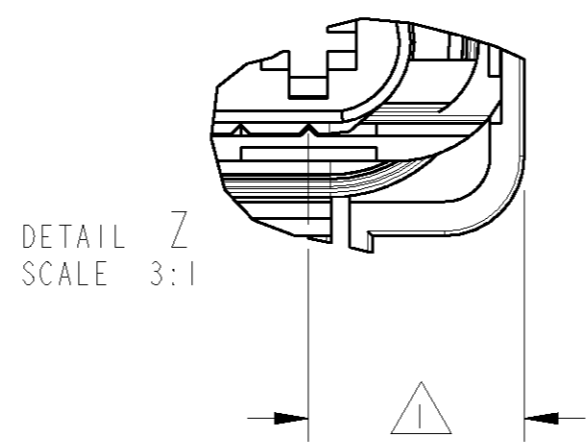
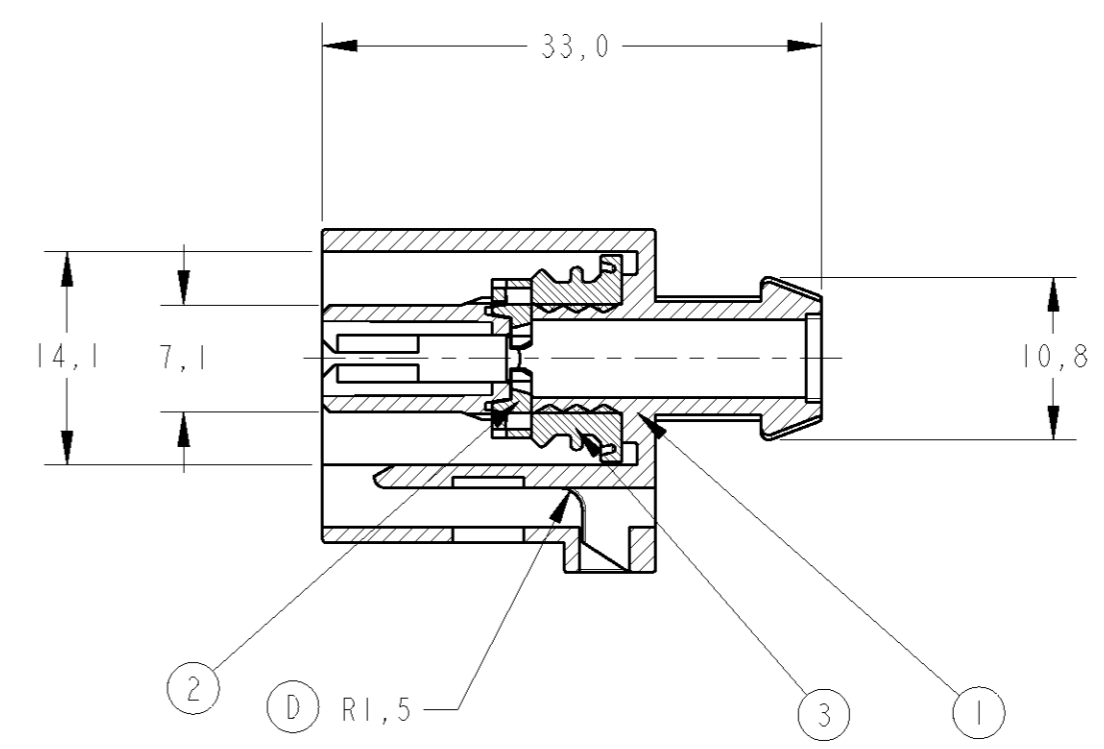
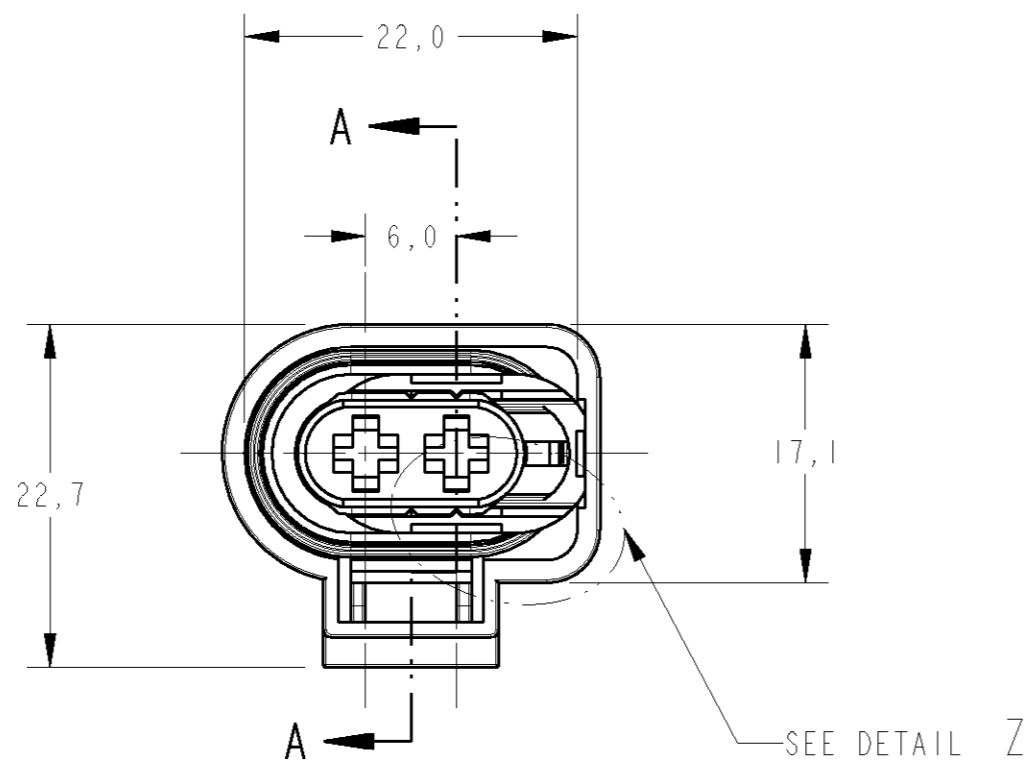


THIS DRAWING IS UNPUBLISHED. RELEASED FOR PUBLICATION 20  
 © COPYRIGHT 20 BY TYCO ELECTRONICS CORPORATION. ALL RIGHTS RESERVED.

LOC	DIST	REVISIONS					
AP	-	P	LTR	DESCRIPTION	DATE	DWN	APVD
		D		REVISED BY EC-211/03	16SEP2003	EJGS	PLF
		E		REVISED BY EC-161/04	12APR2004	NCL	PLF
		F		UP DATE EC-239/04	27APR04	NCL	PLF

**CAD**  
 DO NOT REVISE  
 EXCEPT BY CAD

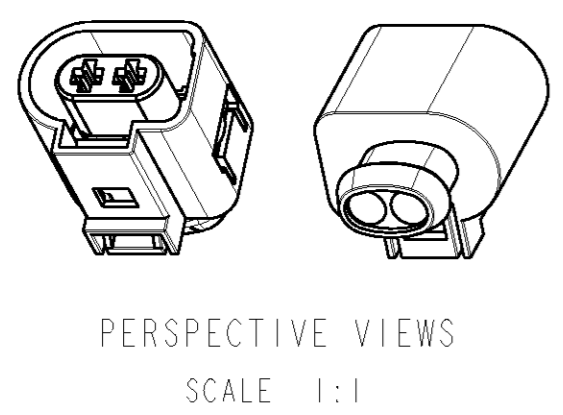


GRAVAÇÃO MARKING
LOGOTIPO AMP AMP LOGO
CÓDIGO PAÍS PRODUTOR MANUFACTURER COUNTRY CODE
NOMENCLATURA MATERIAL MATERIAL NOMENCLATURE
NÚMERO COMPONENTE AMP AMP COMPONENT NUMBER
NÚMERO CAVIDADE CAVITY NUMBER
IDENTIFICAÇÃO CIRCUITO CIRCUIT IDENTIFICATION

⚠ - O CONJUNTO DEVE SER FORNECIDO COM O SPACER NA CONDIÇÃO DE PRÉ TRAVA.

⚠ - THE ASSEMBLY MUST BE SUPPLIED WITH SPACER IN PRE LOCKED CONDITION.

REQ. PER ASSY	ITEM	DESCRIPTION	MATERIAL	FINISH
	3	SEAL 2 POSN. JUNIOR P. TIMER	SILICONE	LARANJA / ORANGE
	2	SPACER 2 POSN. JUNIOR P. TIMER	PBT +10% FV / GF	VIOLETA / VIOLET
	1	HOUSING 2 POSN. JUNIOR P. TIMER	PBT	PRETO / BLACK
493989	-1	ITEM		



THIS DRAWING IS A CONTROLLED DOCUMENT FOR TYCO ELECTRONICS CORPORATION. IT IS SUBJECT TO CHANGE AND THE CONTROLLING ENGINEERING ORGANIZATION SHOULD BE CONTACTED FOR THE LATEST REVISION.

DWN: P.L.FARIA 27JAN00  
 CHK: M.L.OGAWA 27JAN00  
 APVD: F.ALEXANDRONI 27JAN00

**tyco Electronics** TYCO ELECTRONICS do Brasil LTDA. São Paulo - Brasil

NAME: HOUSING ASSY., 2 POSN., JUNIOR POWER TIMER

SIZE: A2 CAGE CODE: 00779 DRAWING NO: 493989 RESTRICTED TO: - / -

MATERIAL: SEE TABLE TOLERANCES UNLESS OTHERWISE SPECIFIED: SEE TABLE DIMENSIONS: mm ANGLES: ±0° 30' FINISH: SEE TABLE WEIGHT: -

CUSTOMER DRAWING SCALE: 2:1 SHEET 1 OF 1 REV F

493989