

PROPRIETARY INFORMATION:

PROPRIETARY OF GLOBTEK, INC. ANY REPRODUCTION, DISCLOSURE OR USE OF THIS DRAWING, IN WHOLE OR IN PART, IS HEREBY PROHIBITED EXCEPT AS SPECIFIED IN WRITING BY GLOBTEK, INC.

REVISION HISTORY

REV	DESCRIPTION	SALES	RFS	DATE	APPROVED
A	Initial Release	SV	26758	6/7/2017	DR
B	Update pin assignment to include wire color	SV	26878	8/29/2017	DR
C	Update overcharge release voltage from 4.150 to 4.025; over current protection from 2-4A92 sec delay) to 3-6A(9.6-14.4msec delay)	SV	26907	9/20/2017	DR
D	Update pcm schematic;revise NTC B value from 4100 to 3950	SV	26946	10/30/2017	DR
E	Update label to include IEC62133 file designation. Update approval section to include Pack approved to UN38.3 and Pack approved to IEC62133-2: 2017.	SV	27238	1/2/2019	DR
F	Update over charge protection from 4.225±.025V to 4.3±0.06V; update over charge protection release from 4.025±0.08V to 4.1±0.06V; update over dischagre protection from 2.50±0.08V to 2.4±0.11V	SV	27298	3/20/2019	DR

See Page 2 for important battery warranty and usage information.

Foot Note:

Globtek Inc. will not be liable for the safety and performance of these power supplies if unauthorized access and repair occurs. End user should consult applicable UL, CSA or EN standards for proper installation instruction.

Limitation of Use:

Globtek product are not authorized for use as mission critical components in life support hazardous environment, nuclear or aircraft applications without prior written approval from the CEO of Globtek Inc.

Contents of this document are subject to change without prior notice

RELEASED

By N.Frost at 11:45 am, Mar 20, 2019

 GlobTek, Inc.
www.globtek.com

186 Veterans Drive, Northvale, NJ 07467
Tel. 201-784-1000 Fax 201-784-0111

Drawing Title: Li-Ion Polymer Battery with Fuel Gauge

3.7Volts @ 800 mAh

Model No.: 542465

Part No.: BL0800F5424651S1PSXH

Rev. F

PROPRIETARY INFORMATION:

PROPRIETARY OF GLOBTEK, INC. ANY REPRODUCTION, DISCLOSURE OR USE OF THIS DRAWING, IN WHOLE OR IN PART, IS HEREBY PROHIBITED EXCEPT AS SPECIFIED IN WRITING BY GLOBTEK, INC.

By customer signing or accepting this document, they agree to acknowledge and accept the **Guidelines and cautions, Safety Notes, and Safety Precautions published on GlobTek's website** http://en.globtek.com/safety-cautions.php#.UUD-NRzU_I8

GlobTek offers a 5-year warranty on workmanship and electrical components assembly on all new battery pack products excluding the battery cells themselves which are covered by the Manufacturer's original warranty at their published warranty period. Please refer to the manufacturer's manufacturer's warranty policy for cells. For GlobTek brand cells, GlobTek provides a 12-month warranty for Li-Ion batteries. The warranty period is based upon the expectation that the battery will deliver 80% of its initial capacity after 300 cycles at low to moderate power loads. High power loads may cause a battery to reach 80% of initial capacity in less than the 12-month warranty period. Li-Ion batteries will continue to operate below the 80% capacity threshold; however, the capacity (run time) delivered between charges will continue to decrease.

The purchaser of this product (Customer) agrees that it is their sole responsibility to determine suitability of the product described for their application and to take precautions for protection against any hazards attendant to the handling and use of the product. Products sold are not returnable. GlobTek, Inc. will produce or provide its products to our published specifications. The purchaser of this product (Customer) shall be solely responsible for determining the products' fitness for use in their applications.

Customer Approval of Specification:

Please approve, sign and send back to GlobTek so we can complete order processing.

A delay in receipt of this form will delay delivery schedule.

Company Name:


Customer P/N:

Quote Number:

Date:

Authorized Representative Name:

Authorized Representative Signature:

 GlobTek, Inc.

www.globtek.com

186 Veterans Drive, Northvale, NJ 07467

Tel. 201-784-1000 Fax 201-784-0111

Drawing Title: Li-Ion Polymer Battery with Fuel Gauge

3.7 Volts @ 800 mAh

Model No.: 542465

Part No.: BL0800F5424651S1PXSH

Rev. F

PROPRIETARY INFORMATION:

PROPRIETARY OF GLOBTEK, INC. ANY REPRODUCTION, DISCLOSURE OR USE OF THIS DRAWING, IN WHOLE OR IN PART, IS HEREBY PROHIBITED EXCEPT AS SPECIFIED IN WRITING BY GLOBTEK, INC.

1.GENERAL SPECIFICATION:

CELL:	ATL 542465
PCM:	GLOBTEK STANDARD
NTC:	10K at 25C B-value 3950K
FUEL GAUGE:	BQ27542
CONFIGURATION:	1S1P
WEIGHT:	Approx. 30 grams

2.ELECTRICAL SPECIFICATION FOR PACK:

RATED CAPACITY:	800mAh (Nominal) 0.2C Discharge
NOMINAL VOLTAGE:	3.7V
WATT-HOUR RATING:	2.96Wh
CHARGING METHOD:	CONSTANT CURRENT + CONSTANT VOLTAGE
MAX. CHARGE VOLTAGE [V]:	4.2 (±0.1V)
CHARGE CURRENT:	0.2C (Standard); 0.5C (Rapid)

MAX. CONTINUOUS DISCHARGE CURRENT:	1400mA
REC. DISCHARGE CUT OFF:	3.4V
INTERNAL IMPEDANCE:	≤150mΩ
EXP. CYCLE LIFE:	>300 cycles > 80% of initial capacity of cells

BATTERY PROTECTION:

OVER CHARGE DETECTION:	4.3±0.06V
OVER CHARGE RELEASE:	4.1±0.06V
OVER DISCHARGE DETECTION:	2.4±0.11V

OVER CURRENT DETECTION: 3.0A to 6.0A (9.6 - 14.4msec. delay)

3. AMBIENT CONDITIONS

TEMPERATURE RANGE:	
CHARGE:	0 to +45°C
DISCHARGE:	-20 to +60°C
CHARGE RETENTION/STORAGE [%]:	< 1 year at -20 to +25°C >80%
	< 3 months at -20 to +45°C >80%
	<1 month at -20 to +60°C >80%
HUMIDITY:	45 ±25%RH

4.ENVIRONMENTAL AND SAFETY

PLEASE FOLLOW GlobTek, Inc. HANDLING AND SAFETY PRECAUTIONS FOR Lilon & LiPolymer.

5. CELL REGULATORY APPROVALS:

UL:	UL1642 Approved
-----	-----------------

5 BATTERY PACK APPROVALS:

RoHS:	COMPLIES WITH EU 2002/95/EC AND CHINA SJ/T 11363-2006
CE Mark:	COMPLIES WITH 2004/108/EC ELECTROMAGNETIC COMPATIBILITY INCLUDING BUT NOT LIMITED TO EN61000-6-1:2007, EN61000-6-3:2007
TRANSPORTATION:	Pack approved to UN38.3
IEC62133:	Pack approved to IEC62133-2: 2017



GlobTek, Inc.

www.globtek.com

186 Veterans Drive, Northvale, NJ 07467

Tel. 201-784-1000 Fax 201-784-0111

Drawing Title: Li-Ion Polymer Battery with Fuel Gauge

3.7Volts @ 800 mAh

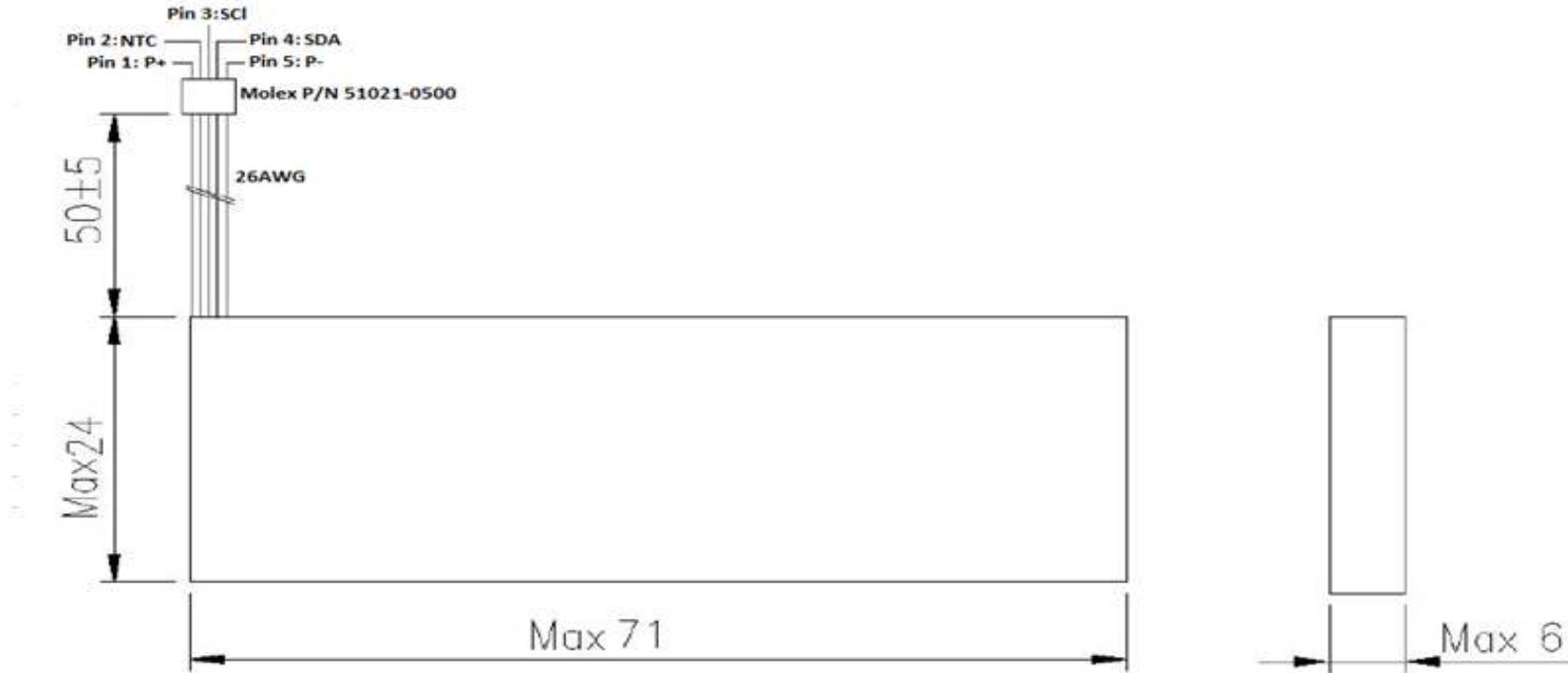
Model No.: 542465

Part No.: BL0800F5424651S1PSXH

Rev. F

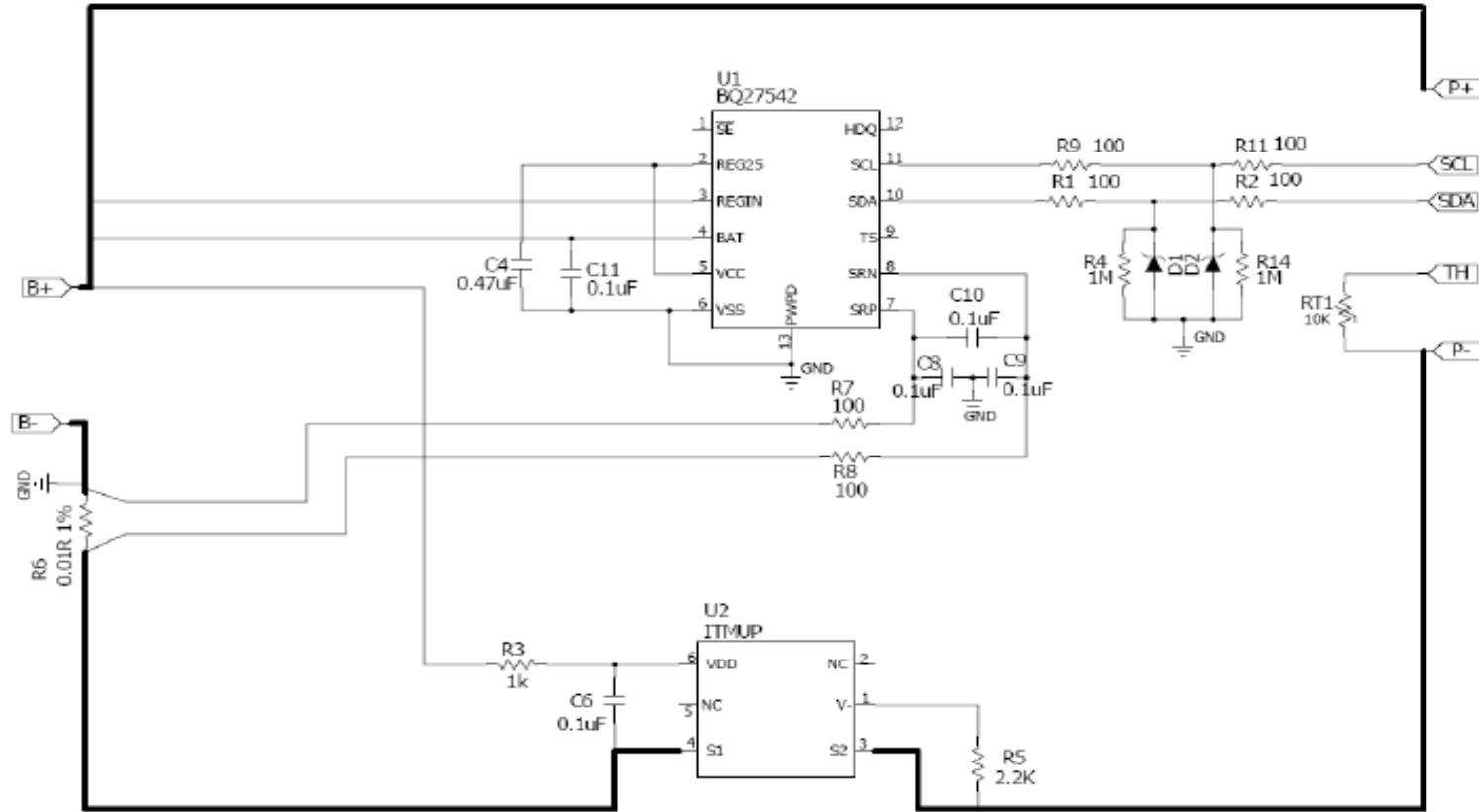
6. MECHANICAL:

DIMENSIONS:	24mm*71mm *6mm(Max.)
SHRINK WRAP:	PVC
WIRE TYPE:	UL1007 26AWG
WIRE LENGTH:	50mm +/- 5.0
WIRE POLARITY (Pin 1):	Red Positive (+)
WIRE POLARITY (Pin 2):	Yellow NTC (10K)
WIRE POLARITY (Pin 3):	Blue SCL (clock line)
WIRE POLARITY (Pin 4):	White SDA (data line)
WIRE POLARITY (Pin 5):	Black Negative (-)



[ADDITIONAL OUTPUT PLUG OPTIONS ARE AVAILABLE BY CLICKING THIS LINK.](#)
[STANDARD PLUGS AND CONNECTORS CAN BE SEEN ONLINE BY CLICKING THIS LINK](#)

7. PCM SCHEMATIC



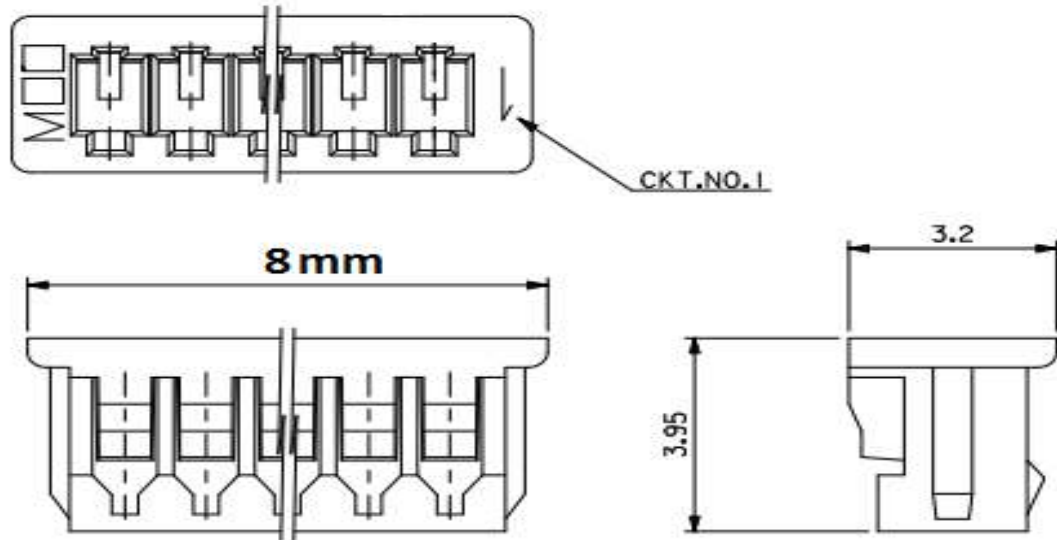
PROPRIETARY INFORMATION:

PROPRIETARY OF GLOBTEK, INC. ANY REPRODUCTION, DISCLOSURE OR USE OF THIS DRAWING, IN WHOLE OR IN PART, IS HEREBY PROHIBITED EXCEPT AS SPECIFIED IN WRITING BY GLOBTEK, INC.

8. OUTPUT CONNECTOR:

ACTUAL CONNECTOR'S, OVERMOLDS, MAY VARY SLIGHTLY FROM THE PICTURE BELOW

	EQUIVALENT	Y / N	
Plug Type		Y	Molex P/N 51021-0500
Crimp Terminals		Y	Molex P/N 50058 (Qty 5)
Pin Assignment			Pin 1: Red Positive (+)
			Pin 2: Yellow NTC (10K)
			Pin 3: Blue SCL (clock line)
			Pin 4: White SDA (data line)
			Pin 5: Black Negative (-)



PROPRIETARY INFORMATION:

PROPRIETARY OF GLOBTEK, INC. ANY REPRODUCTION, DISCLOSURE OR USE OF THIS DRAWING, IN WHOLE OR IN PART, IS HEREBY PROHIBITED EXCEPT AS SPECIFIED IN WRITING BY GLOBTEK, INC.

9. LABEL:

MATERIAL:	TBD
BACKGROUND COLOR:	WHITE
TEXT COLOR:	BLACK
LABEL WIDTH: (mm)	TBD
LABEL HEIGHT: (mm)	TBD
ADDITIONAL REQUIREMENTS:	N/A



PROPRIETARY INFORMATION:

PROPRIETARY OF GLOBTEK, INC. ANY REPRODUCTION, DISCLOSURE OR USE OF THIS DRAWING, IN WHOLE OR IN PART, IS HEREBY PROHIBITED EXCEPT AS SPECIFIED IN WRITING BY GLOBTEK, INC.

10. PACKAGING:

PE BAG SIZE	TBD
CARTON SIZE:	TBD
QUANTITY PER CARTON:	TBD
G.W.	TBD

