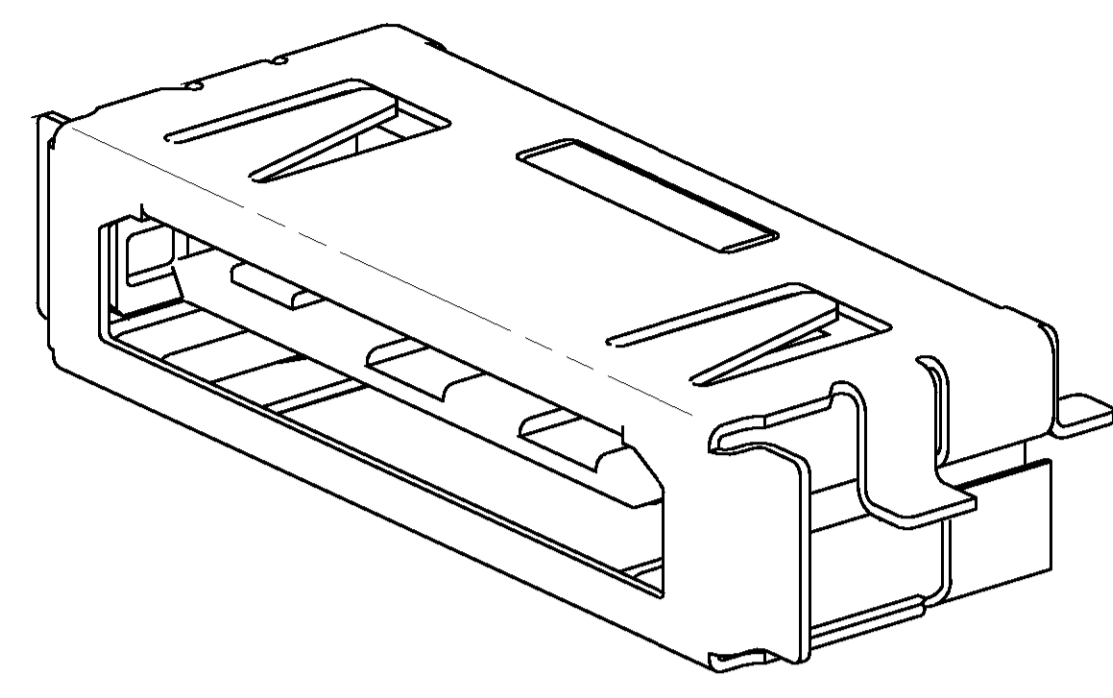
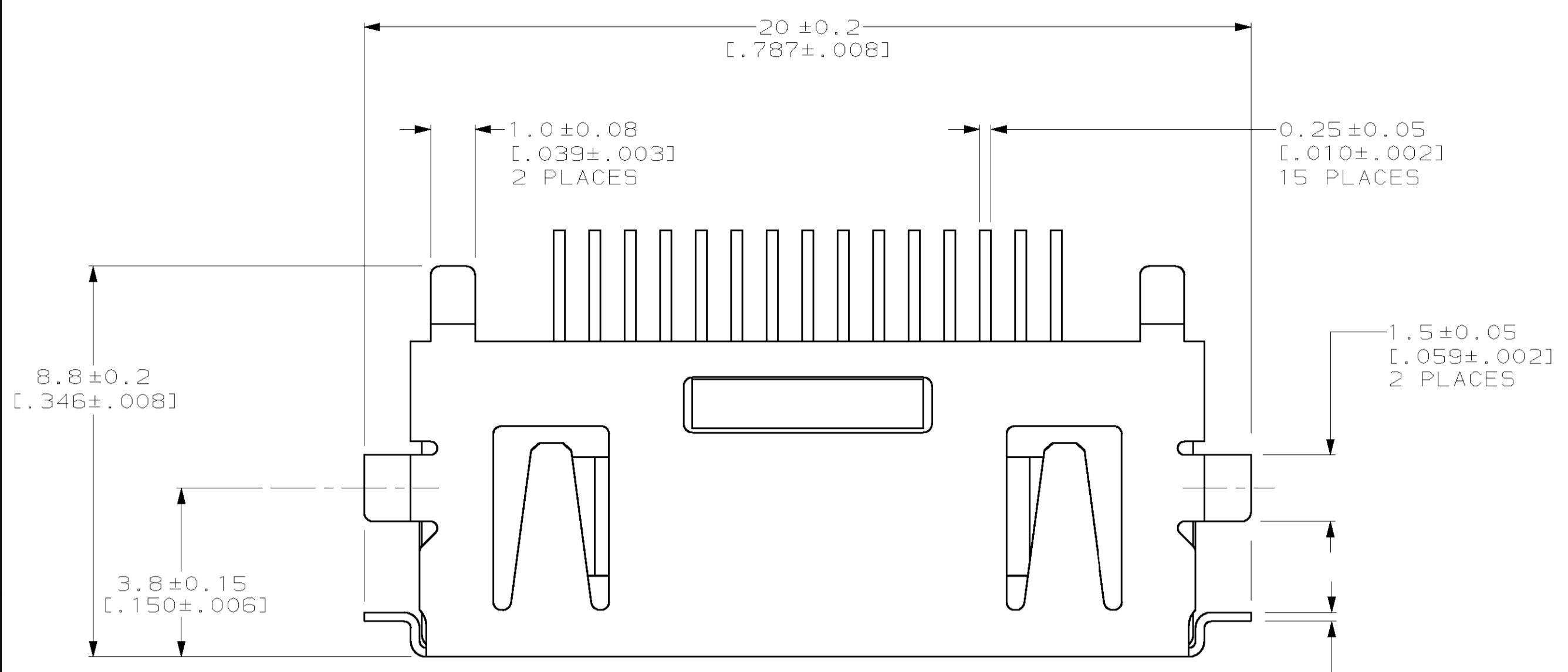
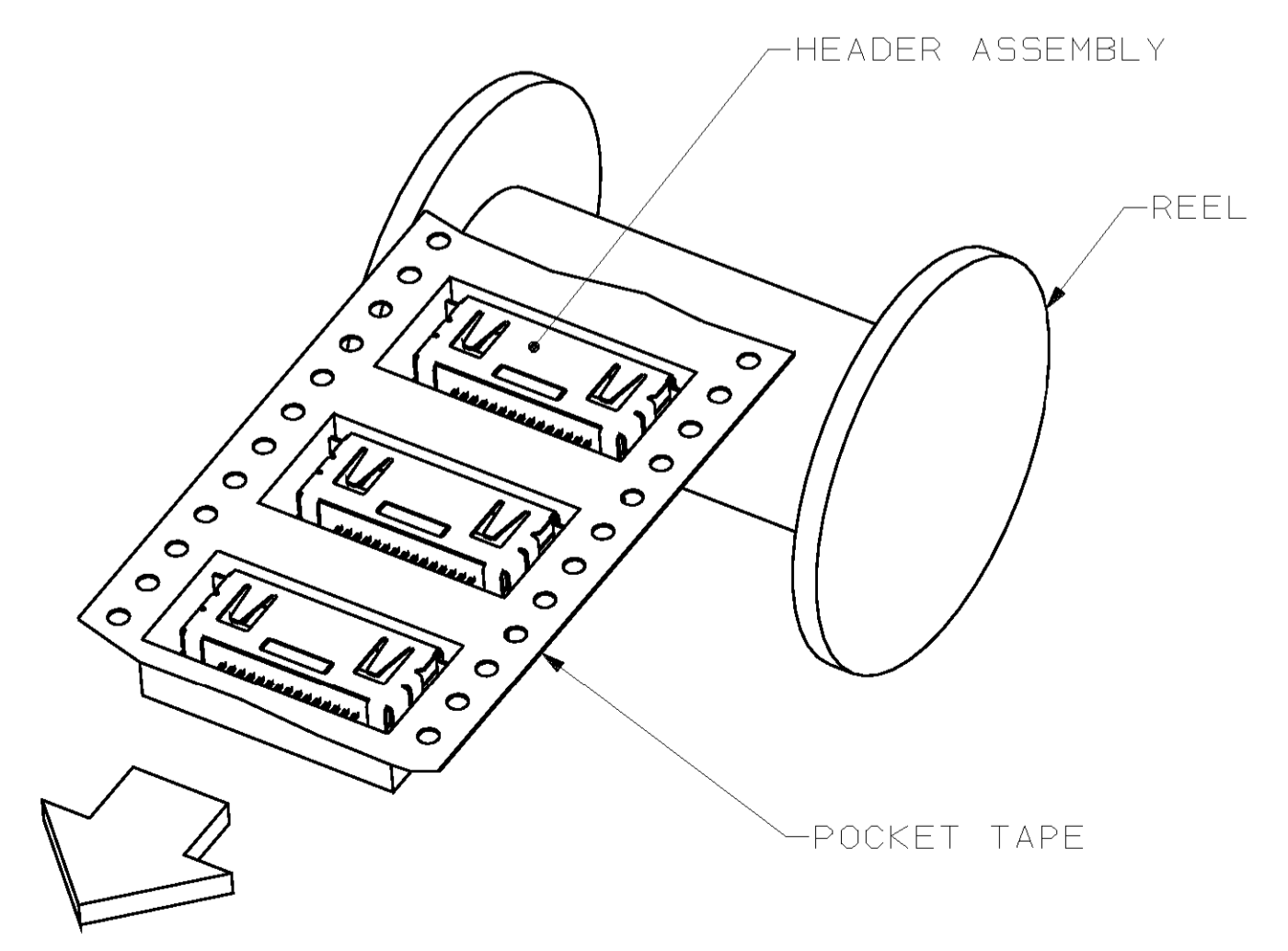
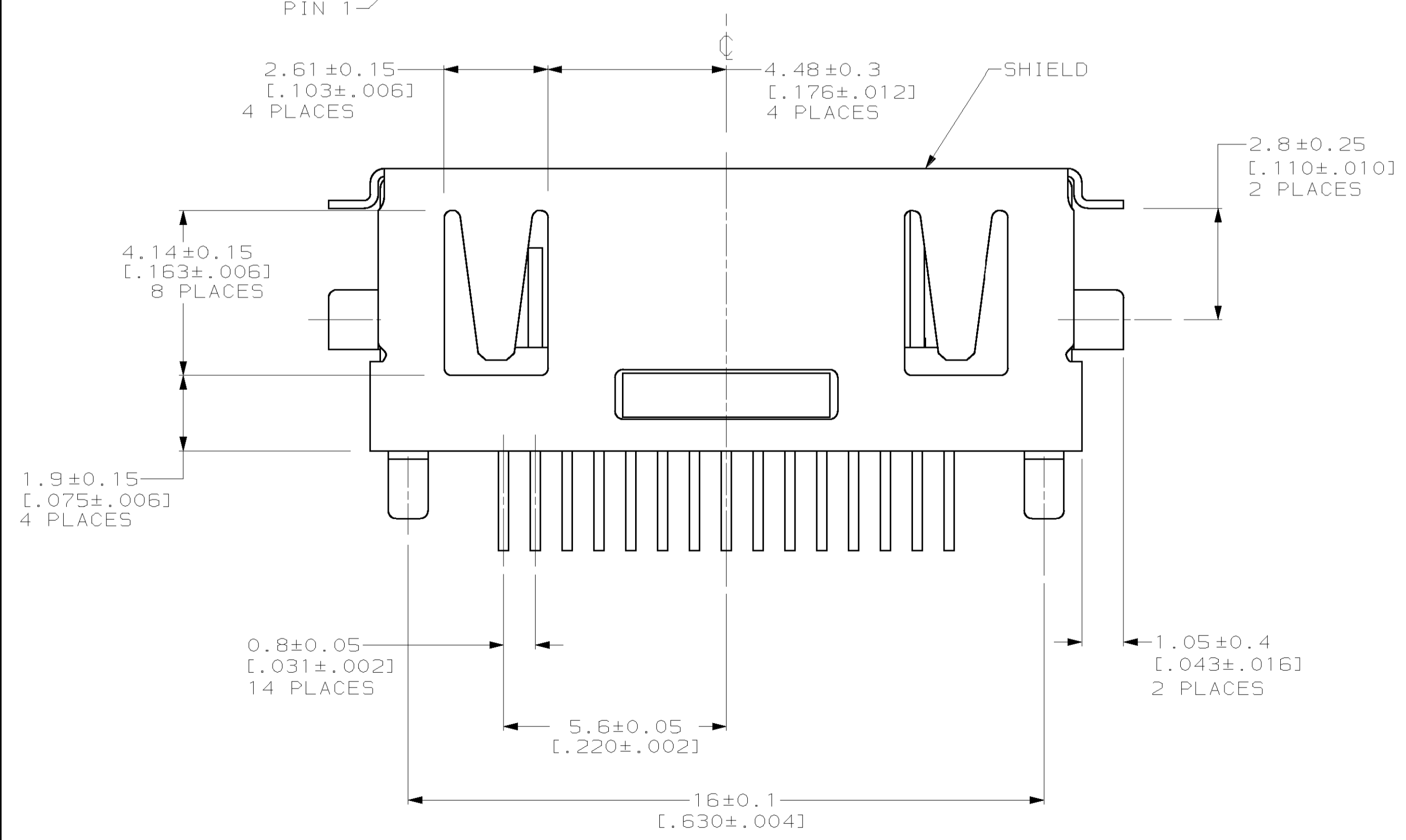
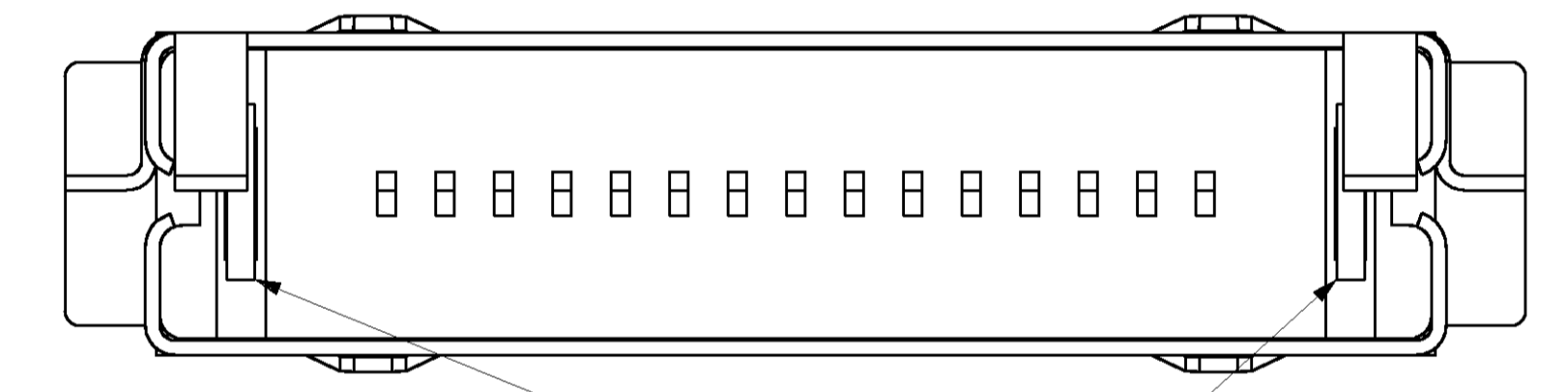
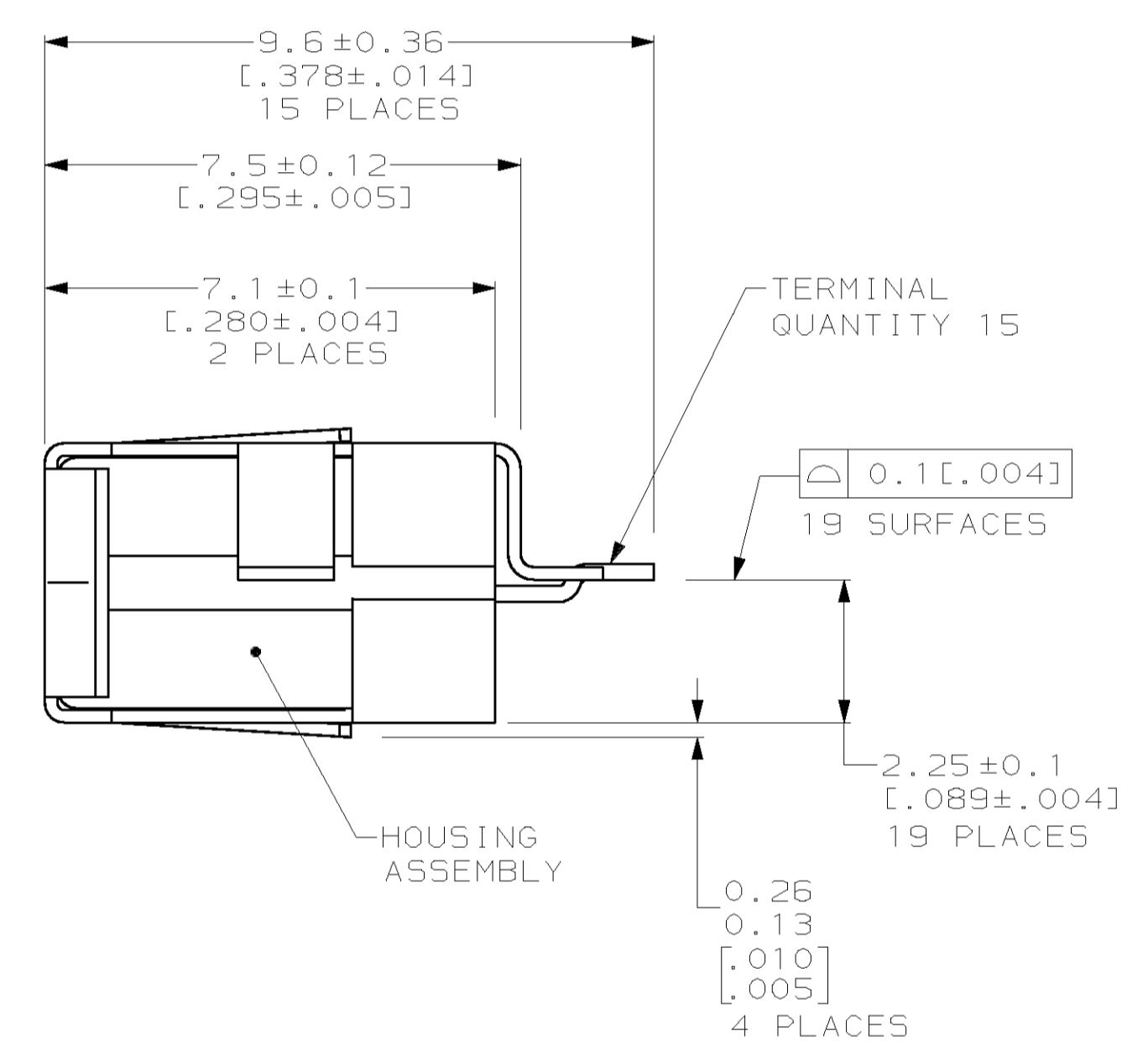
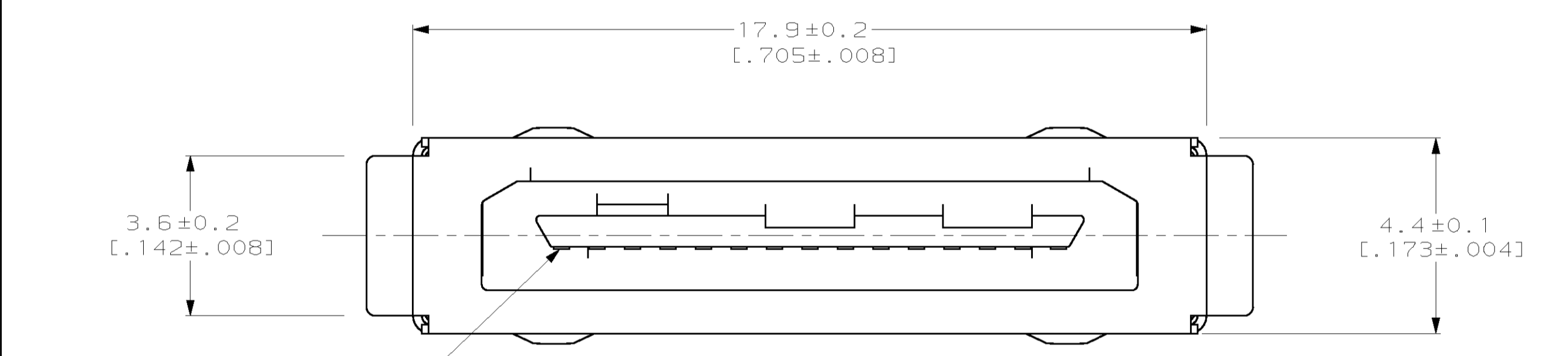


LOC	DIST	REVISIONS			
F	CHR	DESCRIPTION	DATE	OWN	APVD
C		REVISED PER EC 001D-0035-99	07OCT99	DD	MP

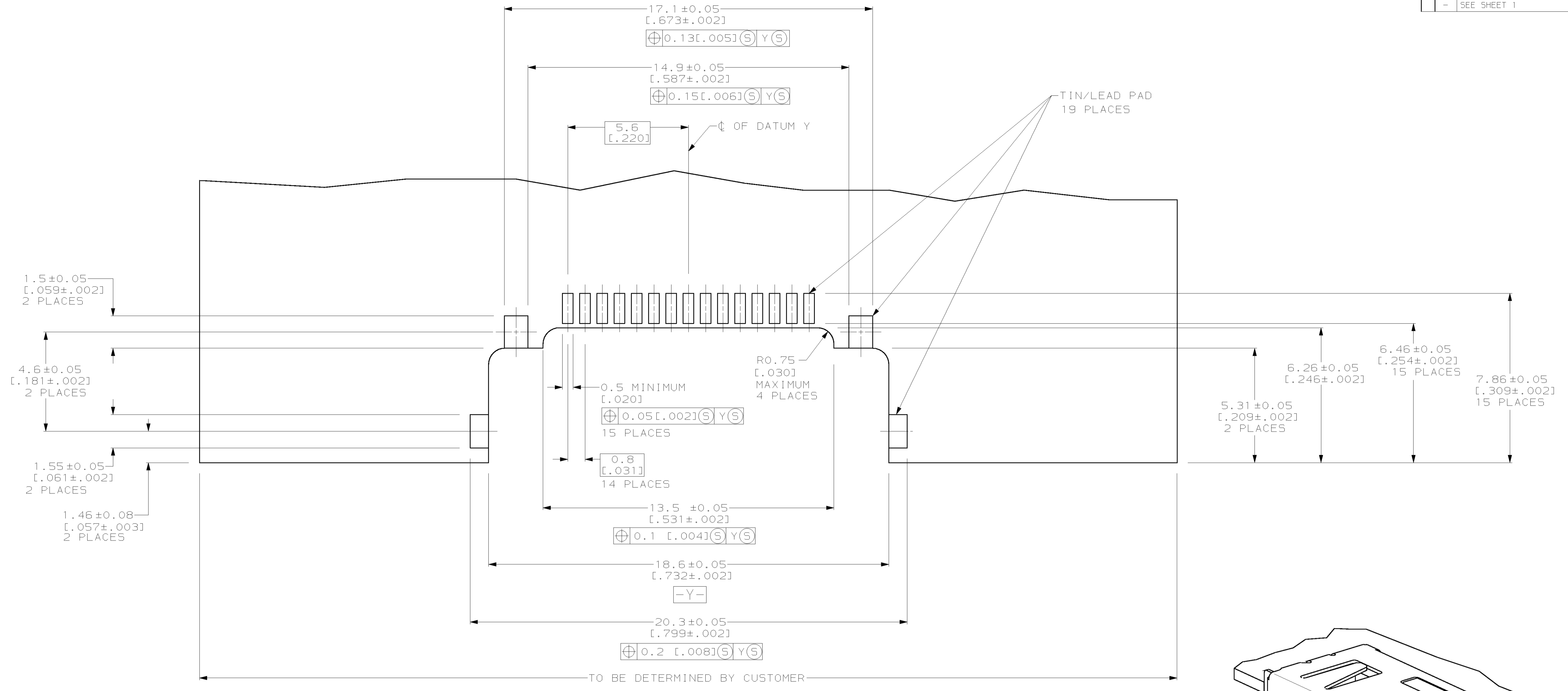


⚠ MATERIAL: HOUSING - NYLON MOLDING COMPOUND, 94V-0, GLASS FILLED, BLACK.  
 TERMINALS - 0.25[.010] THICK BRASS PLATED WITH 0.254 MICRONS[.000010] MINIMUM THICK GOLD OVER 1.016 MICRONS [.000040] MINIMUM THICK PALADIUM NICKEL OVER 0.05 MICRONS[.000002] MINIMUM THICK GOLD IN CONTACT AREAS AND 3.8 MICRONS[.000150] MINIMUM THICK TIN-LEAD ON SOLDER TINES OVER 2.54 MICRONS[.000100] MINIMUM THICK NICKEL UNDERPLATE.  
 SHIELD - STAINLESS STEEL, TIN-LEAD PLATED  
 STRIKER PLATE - STAINLESS STEEL.

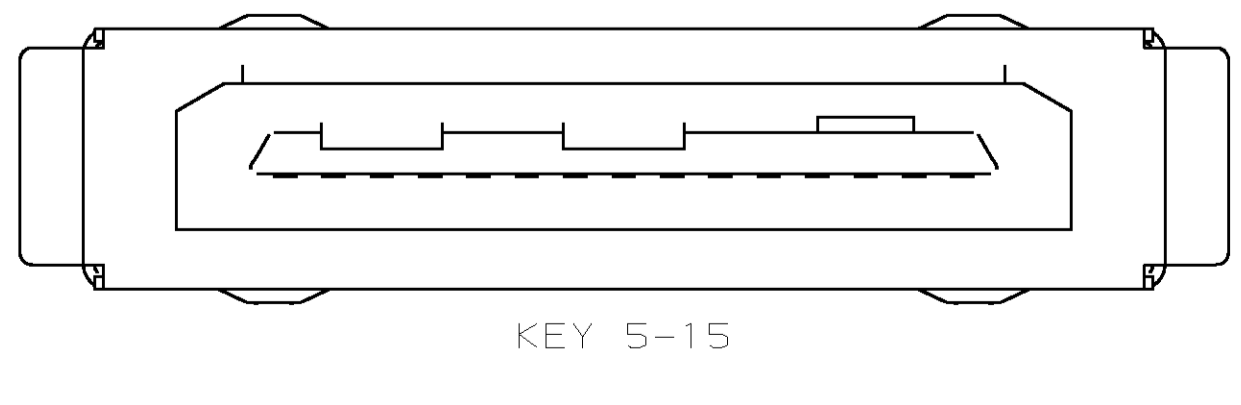
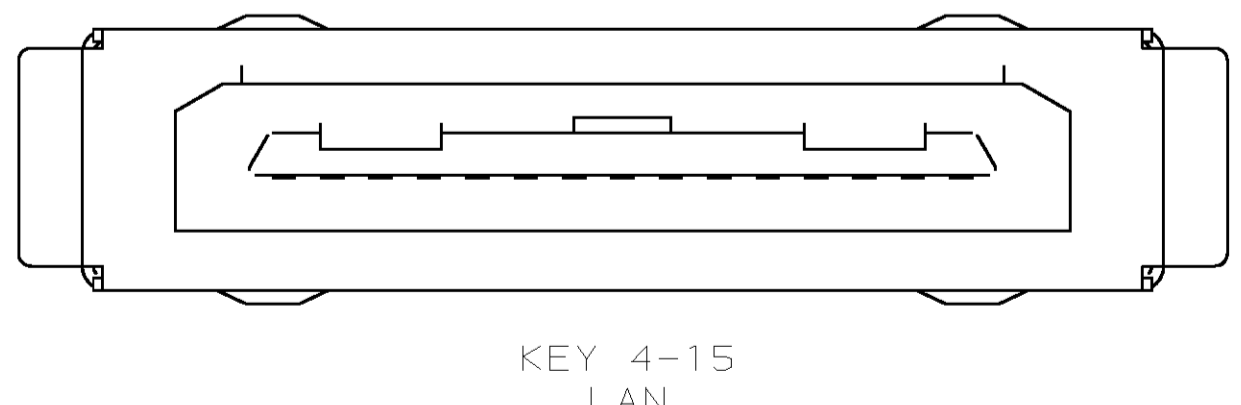
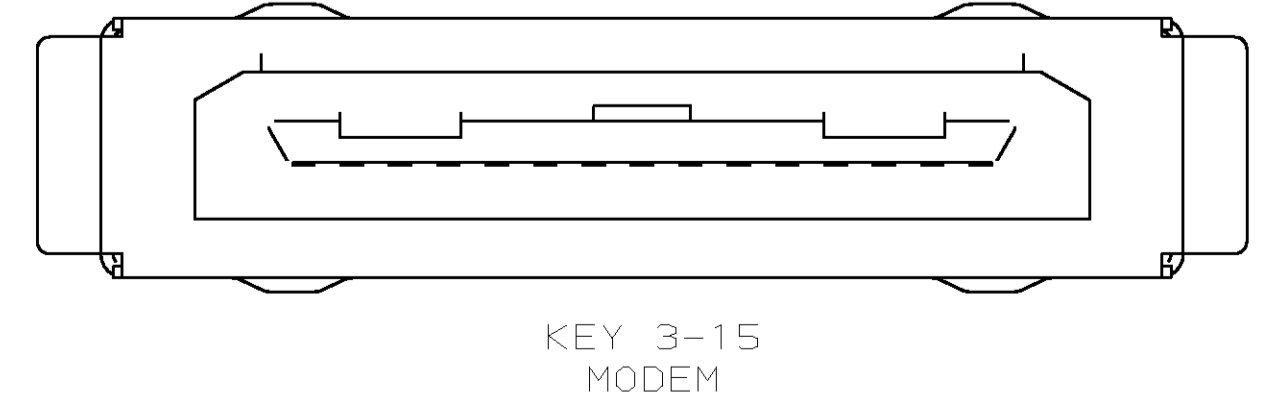
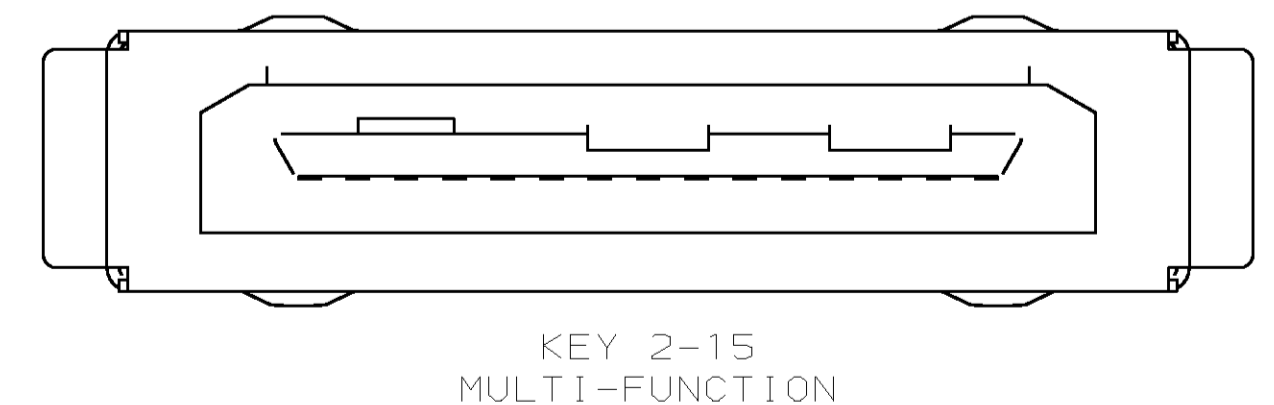
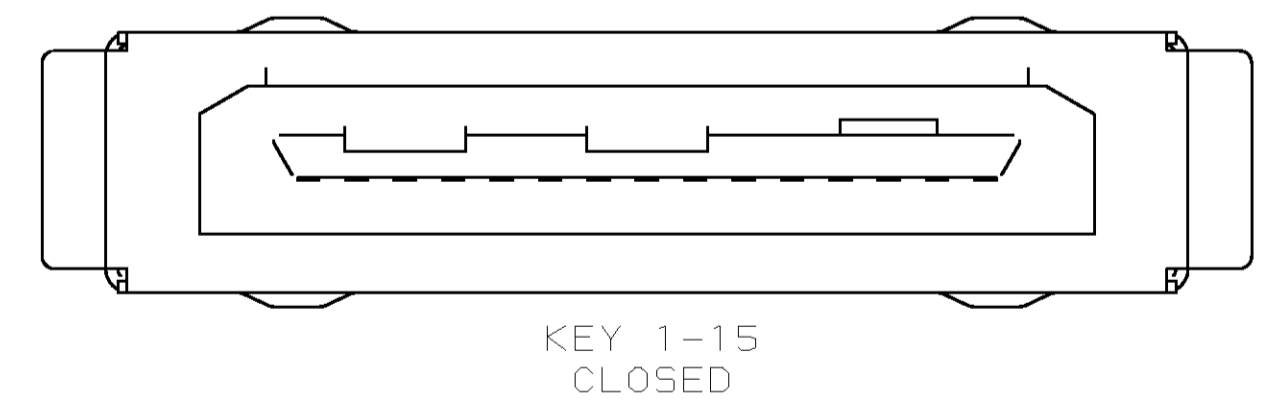
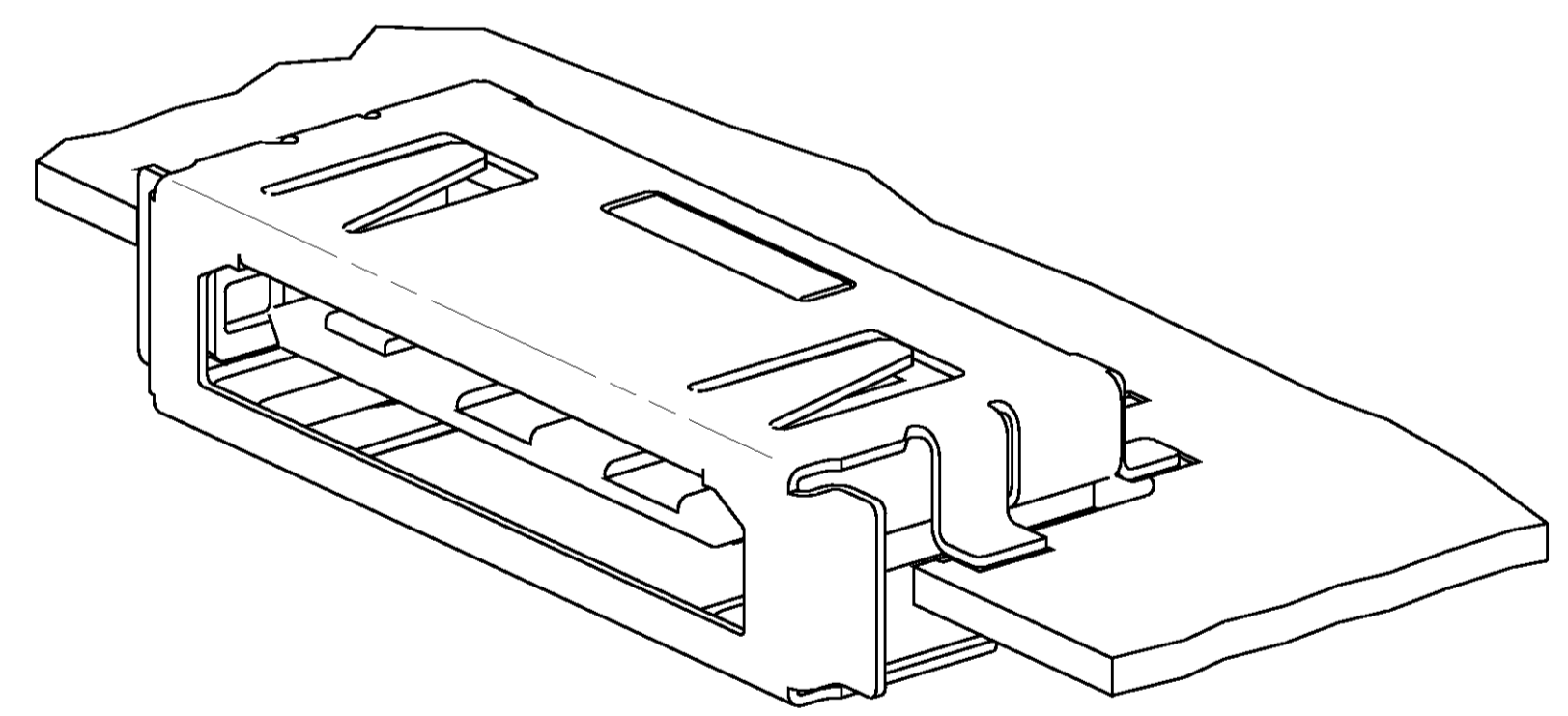


OBSELETE	TAPE & REEL	KEY 5-15	5-569331-5
	TAPE & REEL	KEY 4-15 LAN	5-569331-4
	TAPE & REEL	KEY 3-15 MODEM	5-569331-3
	TAPE & REEL	KEY 2-15 MULTI-FUNCTION	5-569331-2
	TAPE & REEL	KEY 1-15 CLOSED	5-569331-1
	PACKAGING	KEYING OPTION	PART NUMBER

<small>THIS DRAWING IS A CONTROLLED DOCUMENT FOR AMP INCORPORATED. IT IS SUBJECT TO CHANGE AND THE CONTROLLING ENGINEERING ORGANIZATION SHALL BE CONTACTED FOR THE LATEST REVISION.</small>		DWN E. BURCH/UTA 24 SEPT 96 CHK N. JONES 11 OCT 96 APVD J. TRAMMEL 18 OCT 96	AMP AMP Incorporated Harrisburg, PA 17105-3608
DIMENSIONS: mm [INCHES]	TOLERANCES UNLESS OTHERWISE SPECIFIED: 0 PLC ± 1 PLC ± 2 PLC ± 3 PLC ± 4 PLC ± ANGLES ±	NAME HEADER ASSEMBLY, SHIELDED, DUAL 15, TYPE II, SERIES III INFOPORT™	SIZE A1
MATERIAL	FINISH	WEIGHT CUSTOMER DRAWING	CAGE CODE 00779
		DRAWING NO C-569331	SCALE 10:1 SHEET 1 OF 2 REV C



SUGGESTED PC BOARD MOUNTING DIMENSIONS



KEYING OPTIONS  
SCALE 8:1

<small>THIS DRAWING IS A CONTROLLED DOCUMENT FOR AMP INCORPORATED. IT IS SUBJECT TO CHANGE AND THE CONTROLLING ENGINEERING ORGANIZATION SHALL BE CONTACTED FOR THE LATEST REVISION.</small>		DWN: R. BURCH/UTA 24 SEPT 96 CHK: N. JONES 11 OCT 96 APPV: J. TRAMMEL 18 OCT 96	<b>AMP</b> AMP Incorporated Harrisburg, PA 17105-3608
DIMENSIONS: mm [INCHES]	TOLERANCES UNLESS OTHERWISE SPECIFIED: 0 PLC ±.01 1 PLC ±.02 2 PLC ±.03 3 PLC ±.04 4 PLC ±.05 DIMENSIONS ±.01	NAME: HEADER ASSEMBLY, SHIELDED, DUAL 15, TYPE II, SERIES III INFOPORT™ PRODUCT SPEC: - APPLICATION SPEC: - WEIGHT: -	SIZE: A1 CAGE CODE: 00779 DRAWING NO: C-569331 SCALE: 10:1 SHEET: 2 OF 2 REV: C
MATERIAL: - FINISH: -		CUSTOMER DRAWING	