

THIS DRAWING IS UNPUBLISHED.

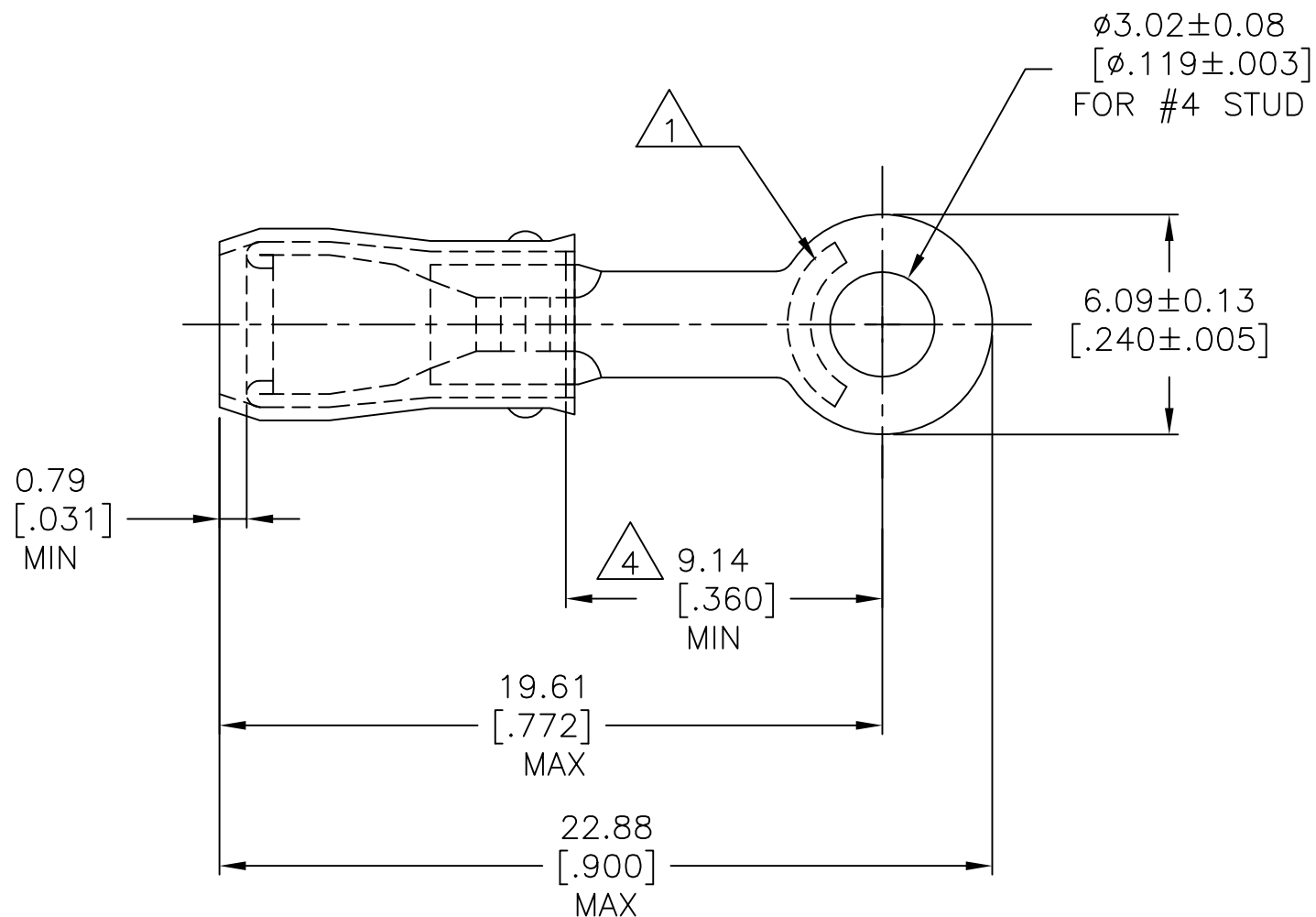
RELEASED FOR PUBLICATION

ALL RIGHTS RESERVED.

© COPYRIGHT - TE Connectivity

REVISIONS

P	LTR	DESCRIPTION	DATE	DWN	APVD
	B1	REV PER ECR 07-014387	19JUN07	JR	TM
	C	REVISED PER ECO-17-001534	06MAY2017	RS	DR



- 1 STAMP AMP 18-16, APPROX AS SHOWN
- 2 WIRE INSULATION DIA IS  $\phi 1.4-2.8\text{mm}$  [ $\phi.055-.110$ ]
- 3 TONGUE MATERIAL THICKNESS IS  $0.79 \pm 0.05$  [ $.031 \pm .002$ ].
- 4 APPLIES FROM EDGE OF WIRE BARREL TO CENTER OF STUD HOLE.
- 5 MATERIAL: BODY - COPPER PER ASTM B-152  
SLEEVE - NYLON
- 6 FINISH: BODY - TIN PLATE PER ASTM B-545  
SLEEVE - COLOR, ORANGE

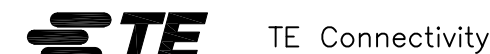
1000	LOOSE PIECE	154927
QTY	PACKAGE TYPE	PART NO.

AMP INCORPORATED  
CUSTOMER SERVICE SYSTEMS

MAX RECOMMENDED OPERATING TEMPERATURE:  
105°C [221°F]

THIS DRAWING IS A CONTROLLED DOCUMENT.

DWN JR RUTH 19JUN2007



FOR ADDITIONAL PRODUCT INFORMATION OR COPIES OF DRAWINGS AND TECHNICAL DOCUMENTS

PRODUCT INFORMATION CENTER  
1-800-522-6752

VOLTAGE RATING:  
300 V MAX

DIMENSIONS:  
mm [INCHES]

TOLERANCES UNLESS OTHERWISE SPECIFIED:

CHK T MICHELUTTI 19JUN07

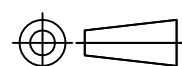
APVD T MICHELUTTI 19JUN07

NAME  
TERMINAL, RING TONGUE,  
PIDG, WIRE SIZE: 18-16 AWG

FOR APPLICATION TOOLING INFORMATION

TOOLING ASSISTANCE CENTER  
1-800-722-1111

CIRCULAR MIL AREA:  
 $0.81-1.65\text{mm}^2$  [1600-3260]  
SOLID OR STRANDED



0 PLC	± -
1 PLC	± -
2 PLC	± 0.20 [.008]
3 PLC	± -
4 PLC	± -
ANGLES	± -

PRODUCT SPEC

APPLICATION SPEC

SIZE CAGE CODE DRAWING NO RESTRICTED TO

FOR ORDER ENTRY

1-800-526-5142

THIS DRAWING IS A CONTROLLED DOCUMENT FOR AMP INCORPORATED. IT IS SUBJECT TO CHANGE AND THE CONTROLLING ENGINEERING ORGANIZATION SHOULD BE CONTACTED FOR THE LATEST REVISION.

MATERIAL



FINISH



CUSTOMER DRAWING

A3 00779 C-154927

SCALE 5:1 SHEET 1 OF 1 REV C