

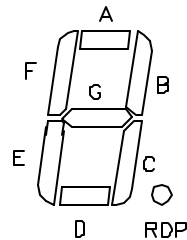
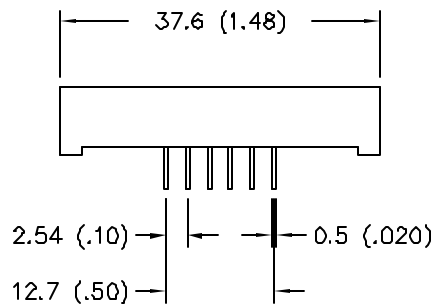
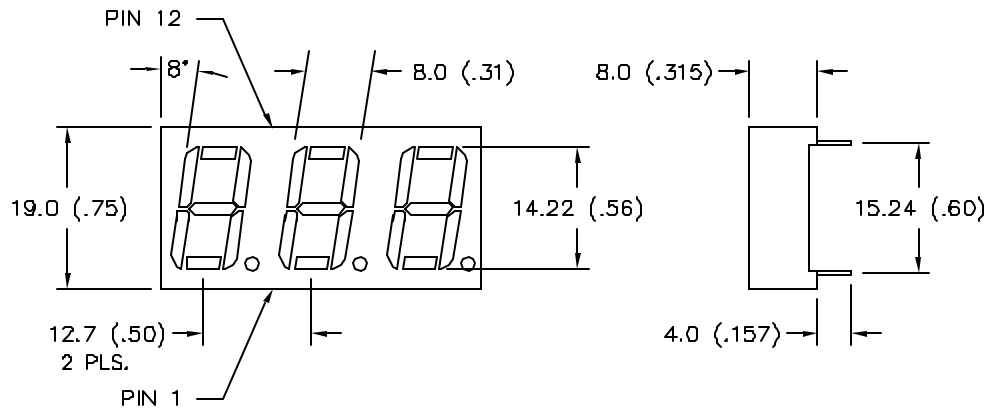
DATE

REVISIONS

REV

DRAWING NUMBER  
LDT-M512RI

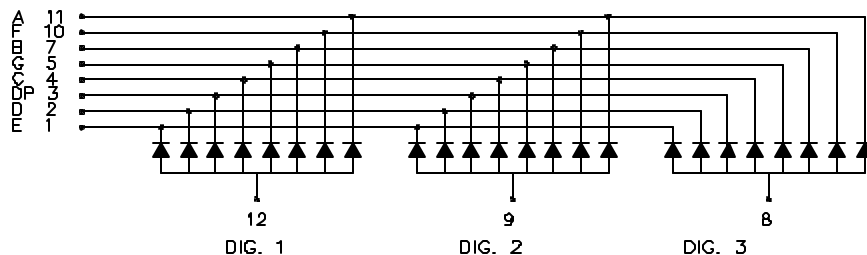
REV

ELECTRO-OPTICAL CHARACTERISTICS  $T_A = 25^\circ\text{C}$   $I_f = 20\text{mA}$ 

| PARAMETER         | MIN   | TYP         | MAX | UNITS | TEST COND                |
|-------------------|-------|-------------|-----|-------|--------------------------|
| PEAK WAVELENGTH   |       | 565 (GREEN) |     | nm    |                          |
| FORWARD VOLTAGE   |       | 2.1         | 2.8 | $V_f$ |                          |
| REVERSE VOLTAGE   | 5.0   |             |     | $V_r$ | $I_r = 100\ \mu\text{A}$ |
| AXIAL INTENSITY   |       | 3900        |     | ucd   | $I_f = 10\ \text{mA}$    |
| EMITTED COLOR     | GREEN |             |     |       |                          |
| EPOXY LENS FINISH | WHITE |             |     |       |                          |
| FONT COLOR        | GRAY  |             |     |       |                          |

LIMITS OF SAFE OPERATION AT  $25^\circ\text{C}$  (PER CHIP)

| PARAMETER                      | MAX        | UNITS                      |
|--------------------------------|------------|----------------------------|
| PEAK FORWARD CURRENT*          | 150        | mA                         |
| STEADY CURRENT                 | 25         | mA                         |
| POWER DISSIPATION              | 105        | mW                         |
| DERATE FROM $25^\circ\text{C}$ | -1.2       | $\text{mW}/^\circ\text{C}$ |
| OPERATING, STORAGE TEMP        | -40 TO +85 | $^\circ\text{C}$           |
| LEAD SOLDERING TEMP            | +260       | $^\circ\text{C}$           |
| 2.0mm FROM BODY                |            | 3 SEC. MAX                 |

\*  $t < 10\ \mu\text{s}$ COMMON ANODE NOTE:  $\theta$  (NP)

**LUMEX**  
OPTO COMPONENTS INC.

292 E. HELLEN ROAD  
PALATINE, ILLINOIS 60067  
(708) 359-2790

CONFIDENTIAL INFORMATION  
THE INFORMATION CONTAINED IN THIS DOCUMENT IS THE PROPERTY OF LUMEX OPTO/COMPONENTS, INC. EXCEPT AS SPECIFICALLY AUTHORIZED IN WRITING BY LUMEX OPTO/COMPONENTS, INC., THE HOLDER OF THIS DOCUMENT SHALL KEEP ALL INFORMATION CONTAINED HEREIN CONFIDENTIAL AND SHALL PROTECT SAME IN WHOLE OR IN PART FROM DISCLOSURE AND DISSEMINATION TO ALL THIRD PARTIES.

DATE: 4-29-96

DWN:

CHK'D:

APPD:

SCALE: N/A

TRIPLE DIGIT SEVEN SEGMENT DISPLAY,  
GREEN, COMMON ANODE

PAGE 1 OF 1

DRAWING NUMBER  
LDT-M512RI

REV

MS/DC