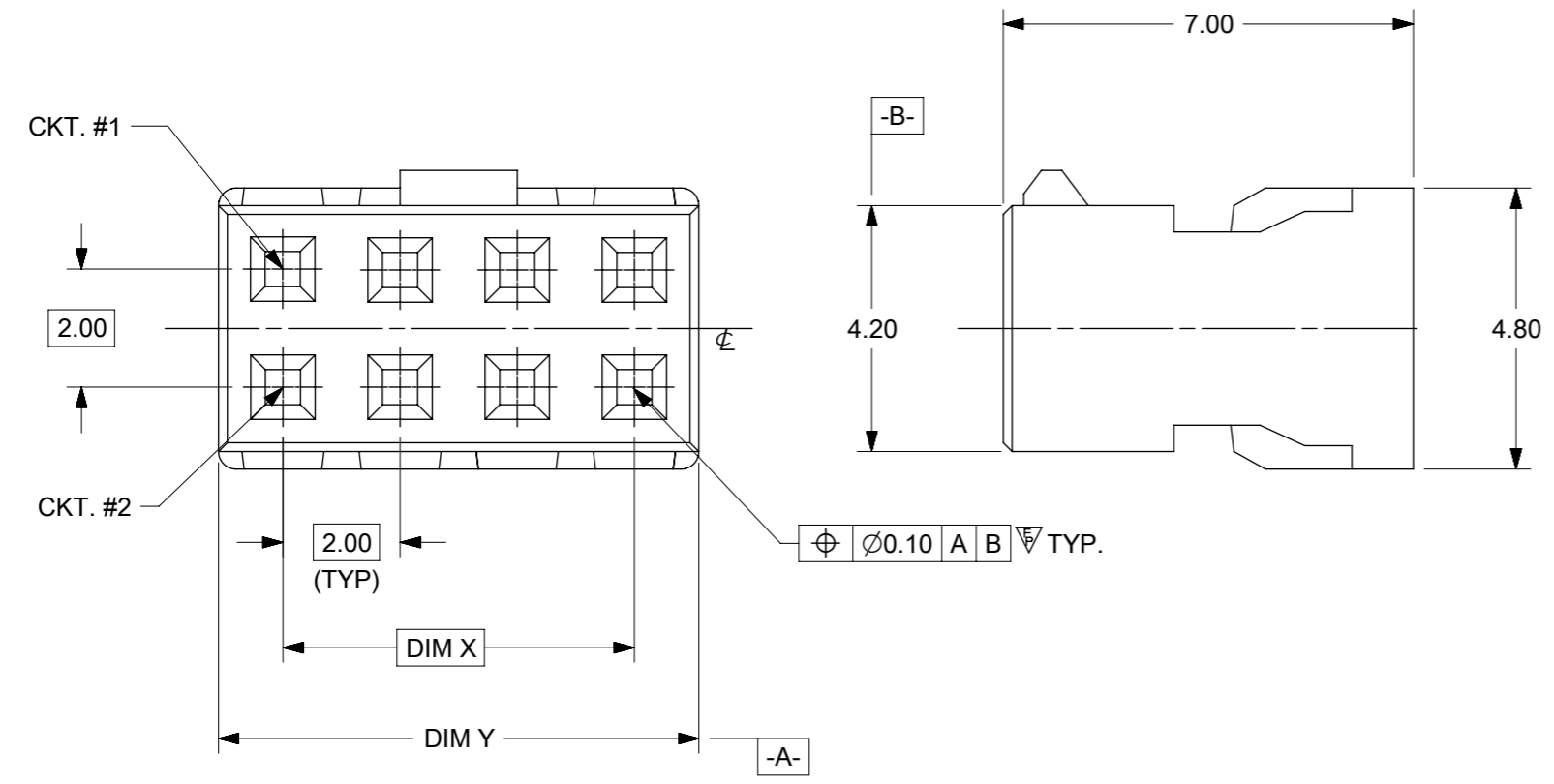
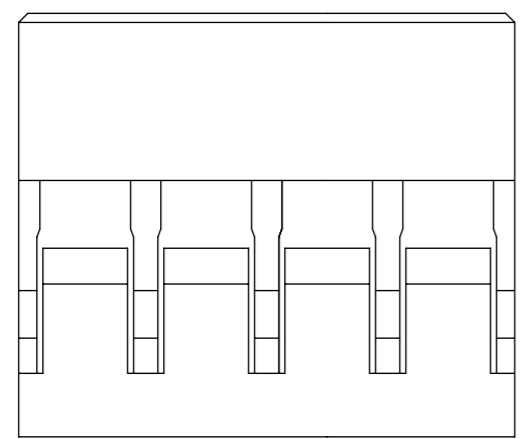


1ST CIRCUIT IDENTIFICATION



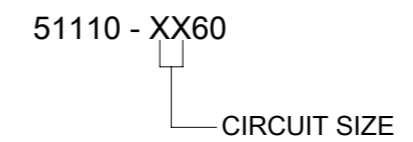
$\varnothing 0.10$  A B TYP.



PART NUMBERS WITHOUT VOID CIRCUIT OPTION

PART NUMBER	CKT SIZE	DIM X	DIM Y
51110-0460	4	2.00	4.20
51110-0660	6	4.00	6.20
51110-0860	8	6.00	8.20
51110-1060	10	8.00	10.20
51110-1260	12	10.00	12.20

LEGENDRAY FOR WITH OUT VOIDED CKT



PART NUMBERS WITH VOID CIRCUIT OPTION

VOIDED CKT	PART NUMBER	CKT SIZE	DIM X	DIM Y
51110-1261	51110-0460	4	2.00	4.20

NOTES :

- MATERIAL : GLASS FILLED POLYESTER UL RATED 94V-0, COLOUR BLACK.
- FOR ILLUSTRATION PURPOSES, 8CKT SIZE HOUSING IS AS SHOWN.
- PARTS TO BE USED WITH CRIMP TERMINAL PART NUMBER: 50394-8\*\*\*.
- APPLICABLE WIRE RANGE : AWG # 24 - #30"
- WIRE INSULATION RANGE : DIAMETER 1.40mm MAXIMUM.

6. MSH LOGO, CAVITY ID AND 1ST CKT IDENTIFICATION TO BE LOCATED APPROXIMATELY AS SHOWN.

THIS DRAWING CONTAINS INFORMATION THAT IS PROPRIETARY TO MOLEX ELECTRONIC TECHNOLOGIES, LLC AND SHOULD NOT BE USED WITHOUT WRITTEN PERMISSION									
DIMENSION UNITS		SCALE		CURRENT REV DESC: REDRAWN AND REVISED				<b>molex</b>	
mm		NTS							
GENERAL TOLERANCES (UNLESS SPECIFIED)				EC NO: 608139		DRWN: RMV02		2018/10/04	
				CHK'D: GJEEVANSURES		APPR: ISHWARG		2018/12/19	
				INITIAL REVISION:		DRWN: SEE		1995/05/22	
				ANGULAR TOL ± 3.0°		APPR:			
DRAFT WHERE APPLICABLE MUST REMAIN WITHIN DIMENSIONS				THIRD ANGLE PROJECTION		DRAWING		SERIES	
				A3-SIZE		51110		MATERIAL NUMBER	
				SEE TABLE		CUSTOMER		GENERAL MARKET	
				DOCUMENT NUMBER		DOC TYPE		DOC PART	
				SD-51110-XX60		PSD		001	
				REVISION		SHEET NUMBER		1 OF 1	
				B					