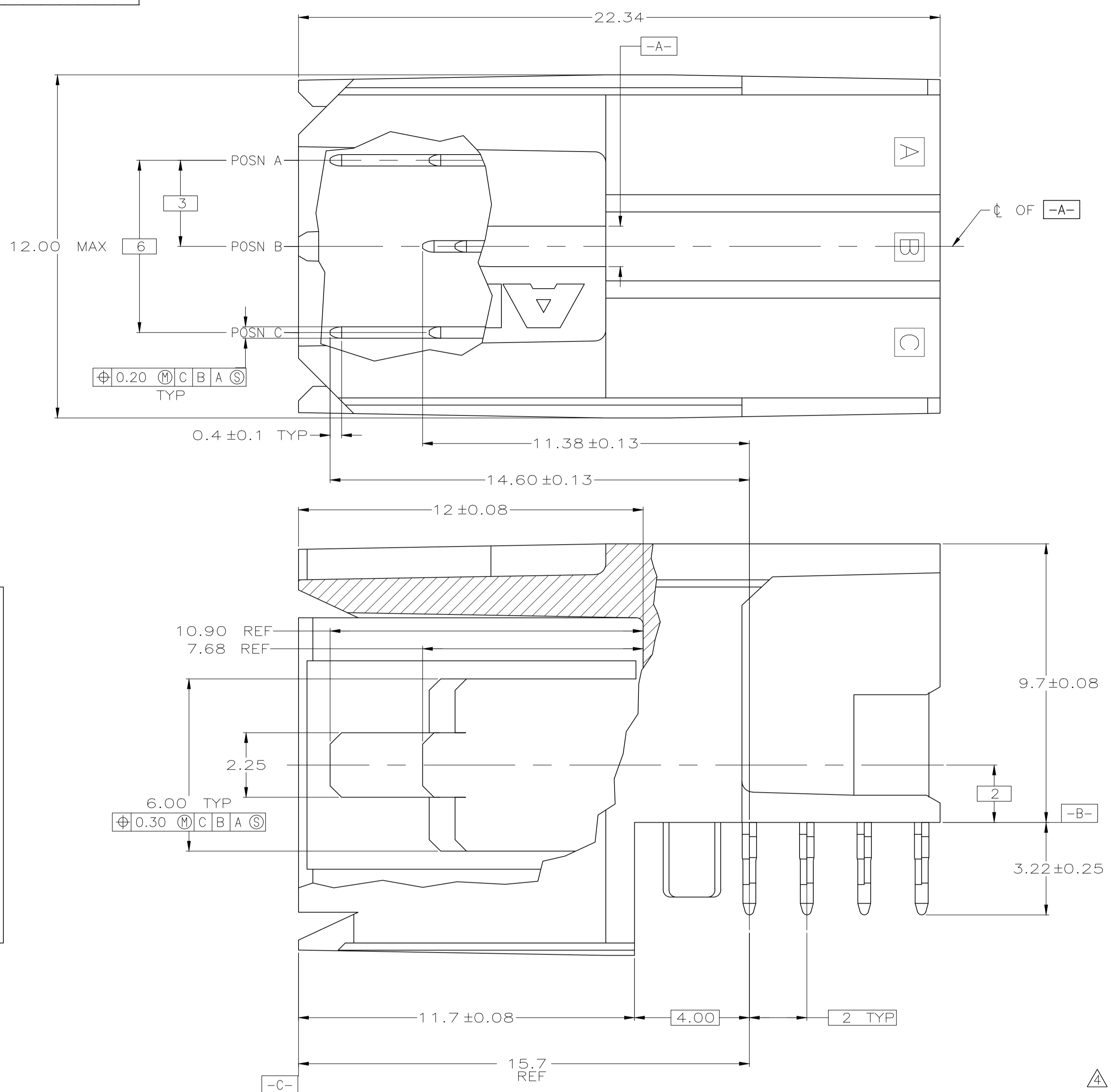
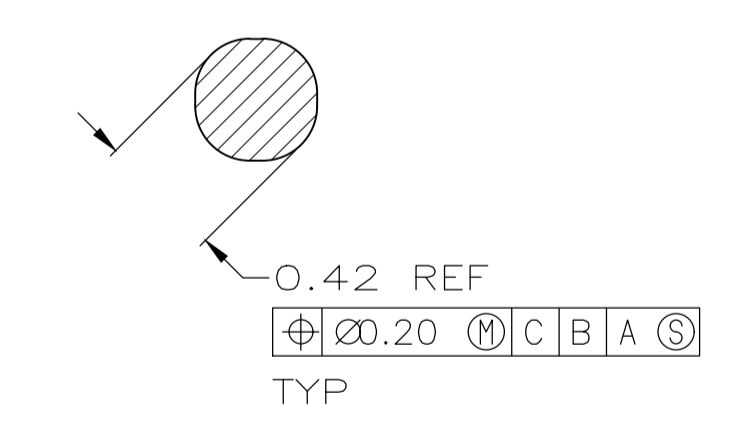
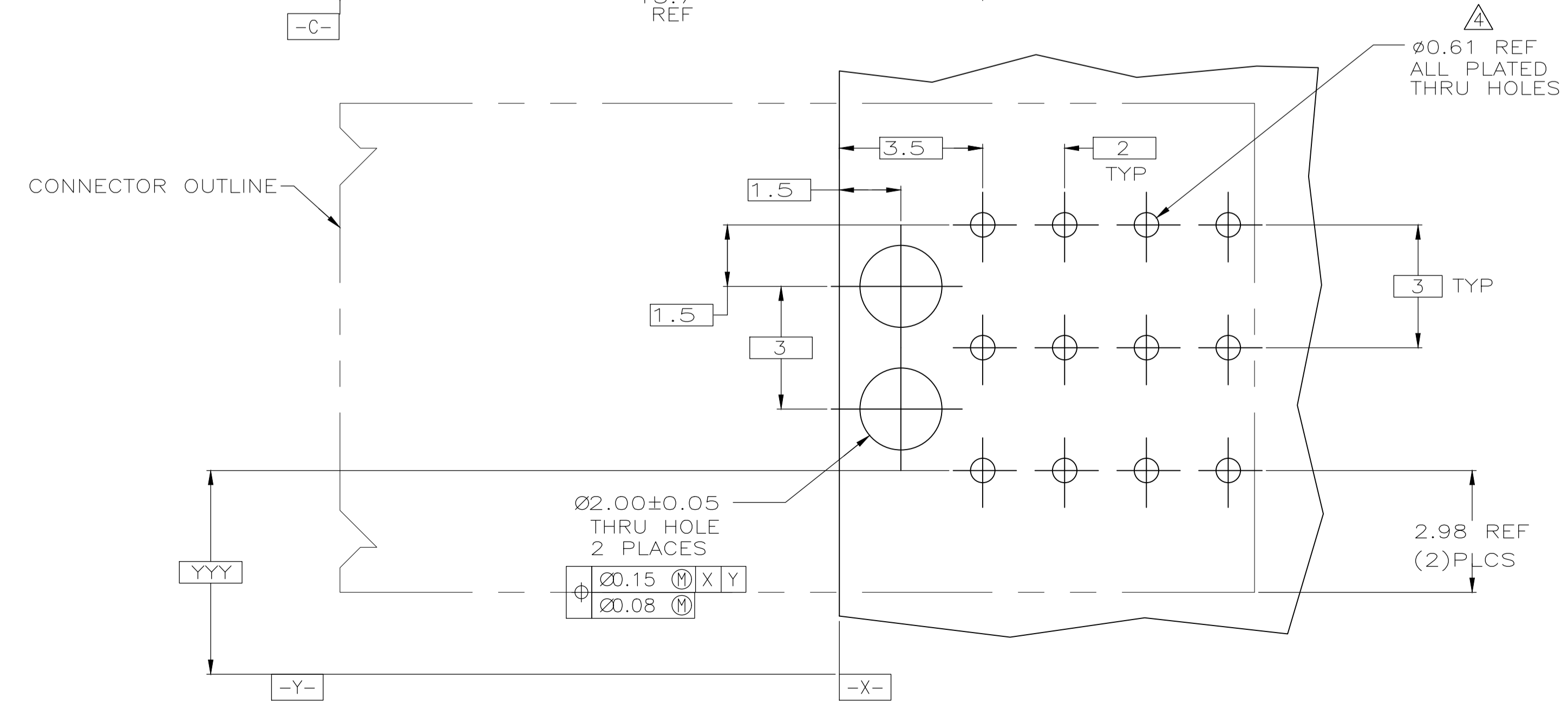
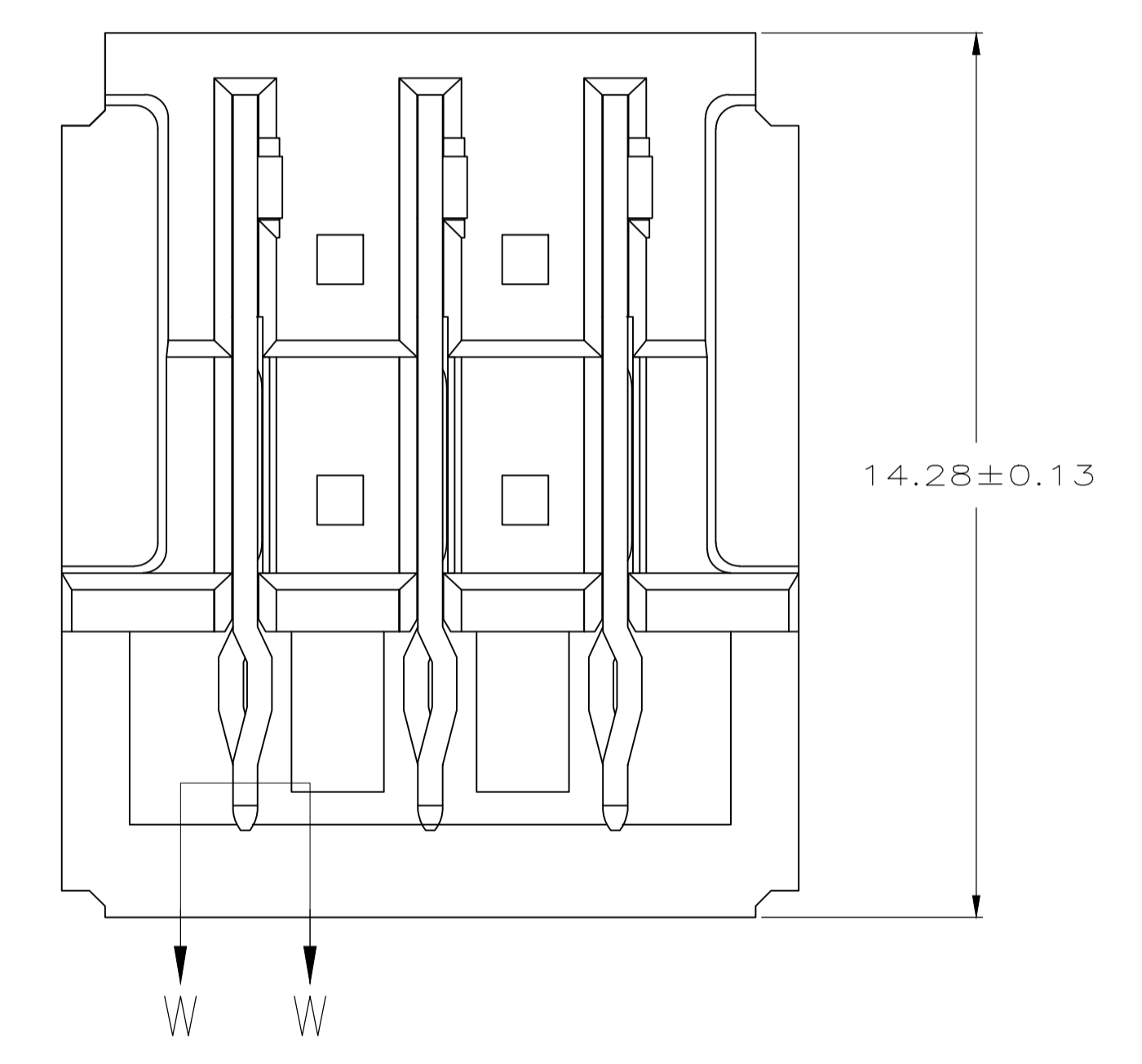
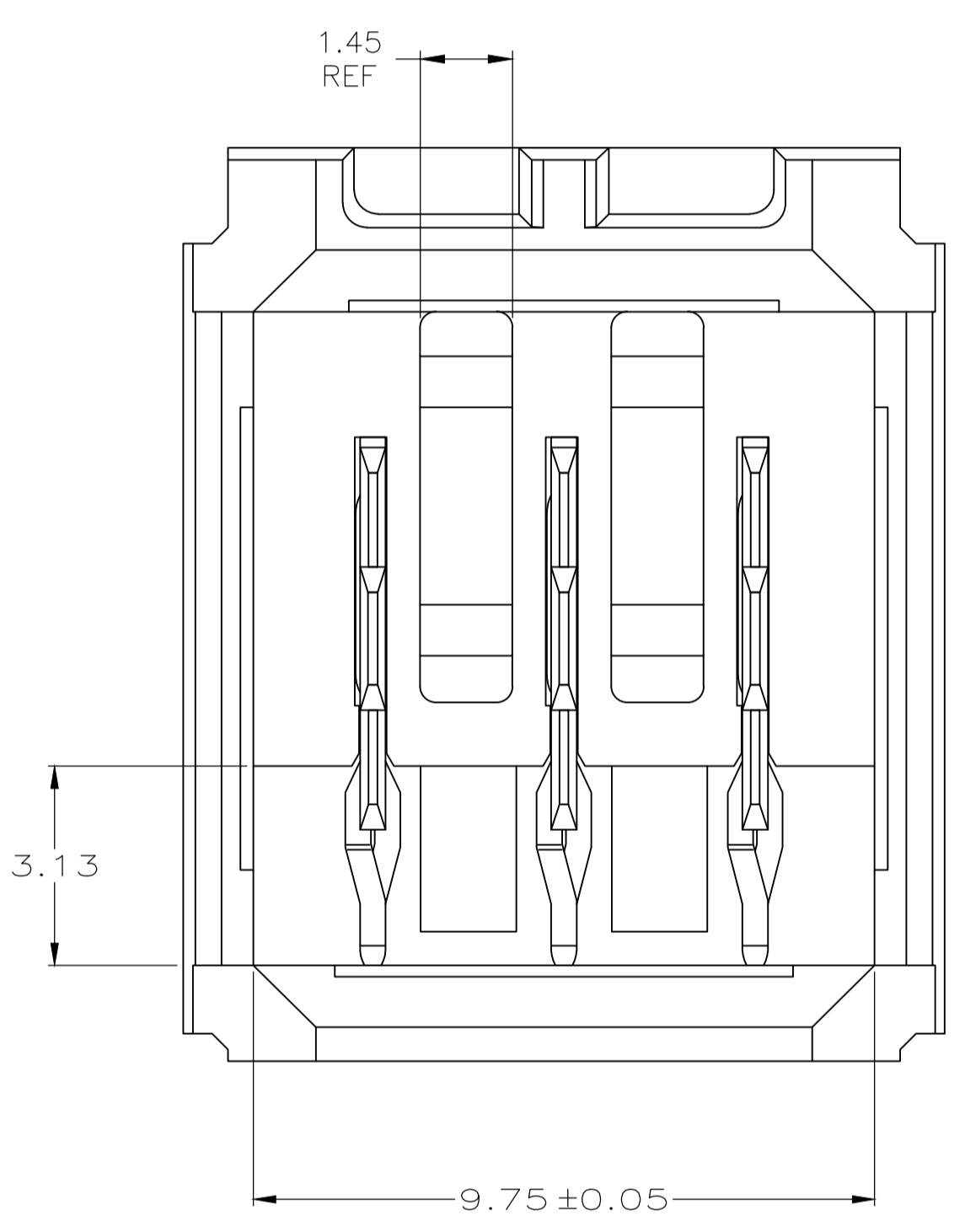


LOC		DIST		REVISIONS				
AD	00	REV	PER	ECO	DESCRIPTION	DATE	DWN	APVD
C1		REV	PER	ECO-20-004668		02JUN2020	ML	SZ



- ⚠ MATERIAL: HOUSING: POLYESTER. COLOR: GRAY. UL 94V-0. CONTACT: PHOSPHOR BRONZE.
- ⚠ FINISH: IN ACCORDANCE WITH PRODUCT SPECIFICATION 108-1651, GOLD PLATING OR EQUIVALENT PLATING ON PRODUCT CONTACT MATING AREA, AND MATTE TIN PLATING ON COMPLIANT PIN AREA, ALL OVER MATTE NICKEL UNDERPLATED. DETAIL PLEASE REFER TO PRODUCT SPECIFICATION 108-1651.
- ⚠ FINISH: CONTACT LUBRICATION WITH BELLCORE APPROVED LUBRICANT. TECHNICAL REFERENCE: TR-NWT-001217 ISSUE 1, SEPT 1992.
- ⚠ REFERENCE APPLICATION SPEC 114-1103 FOR RECOMMENDED PLATED THRU HOLE DIAMETER AND PLATING THICKNESS.
- 5 CURRENT RATING 10A/CONTACT PER PRODUCT SPEC 108-1651.



SECTION W-W
SCALE 40:1

5223972-1
PART NUMBER

THIS DRAWING IS A CONTROLLED DOCUMENT.		DIN B CARBO 130EC04	Tyco Electronics Corporation Harrisburg, PA 17105-3608
DIMENSIONS: UN		130EC04	
TOLERANCES UNLESS OTHERWISE SPECIFIED:		APVD R PATTERSON 130EC04	NAME R PATTERSON
0. PLC ± -	1. PLC ± -	PRODUCT SPEC 108-1651	
2. PLC ± 0.13	3. PLC ± -	APPLICATION SPEC 114-1103	SIZE A1
4. PLC ± -	ANGLES ± -	WEIGHT -	CAGE CODE DRAWING NO 00779 C=5223972
MATERIAL ⚠	FINISH ⚠ ⚠	CUSTOMER DRAWING	RESTRICTED TO -
		SCALE 10:1	SHEET 1 OF 1
		REV C1	