

NEWNEX PROPRIETARY

THIS DOCUMENT AND THE DATA DISCLOSED HEREIN OR WITHIN IS NOT TO BE REPRODUCED, USED, OR DISCLOSED IN WHOLE OR PART TO ANYONE WITHOUT THE WRITTEN PERMISSION OF NEWNEX

COMPANY NAME

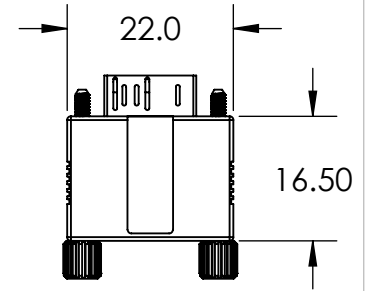
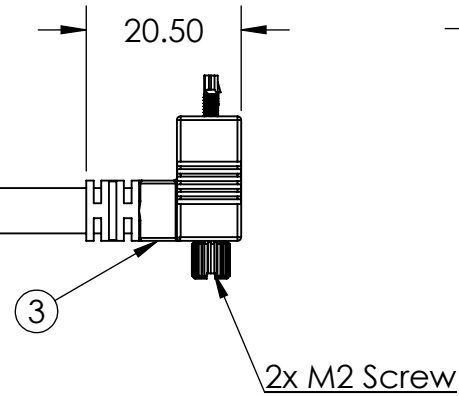
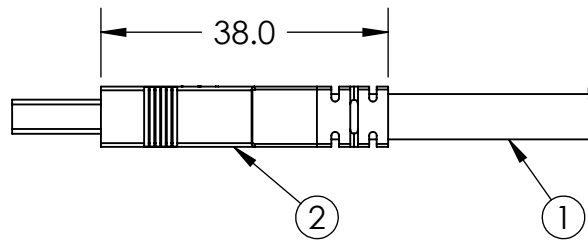
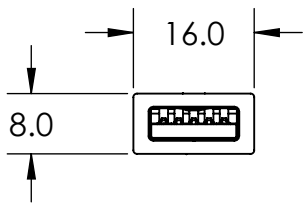
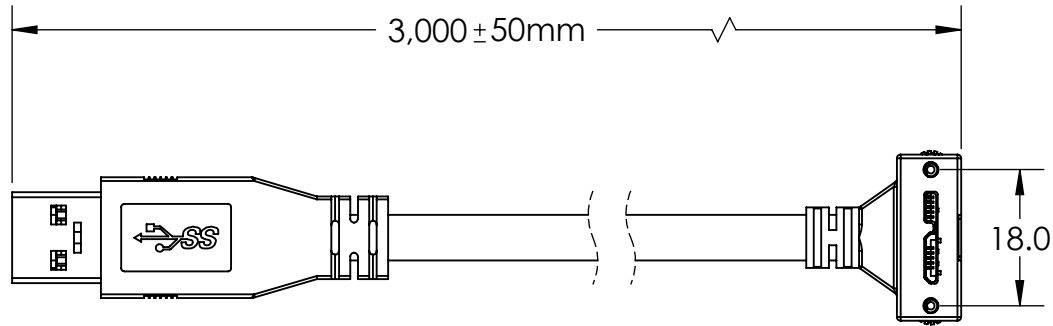
CUSTOMER SIGNATURE

DATE

COMMENTS:

P1

P2



WIRING STRUCTURE

P1	SIGNAL	P2
1	PWR	1
2	D-	2
3	D+	3
4	GND	5
5	SDP1-	6
6	SDP1+	7
7	DRAIN	8
8	SDP2-	9
9	SDP2+	10
SHELL	BRAID	SHELL

Notes:

1. Cable: USB 3.0 Black PVC Jacket.
2. Connector: USB 3.0 A Male.
3. Connector: USB 3.0 Angled Micro-B Male Dual Screw Locking.
4. Packaging: 1 Piece + PE bag.

Newnex Technology Corp.



UNLESS OTHERWISE SPECIFIED DIMENSIONS ARE IN MILLIMETERS TOLERANCES ARE:

FRACTIONS: X ± 0.5
 DECIMALS: XX ± 0.25
 ANGLES: XXX ± 0.125

PROJ: [Symbol] TITLE: USB 3.0 A Male to Angled Micro B Male with Dual Screw Locking, 3M, Black.

SCALE: 1:1 REV: A

DATE: 5/29/2014

PART NUMBER: US2-AMCBR11-3M

DRAWN BY: APPROVED BY:

CHECKED BY: SHEET 1 OF 1

*100% OPEN, SHORT, MISWIRE TESTING

*RoHS compliant product

*Both shell clam and copper foil have 360 degree contact with braiding

REVISION COMMENTS: Drawing generated