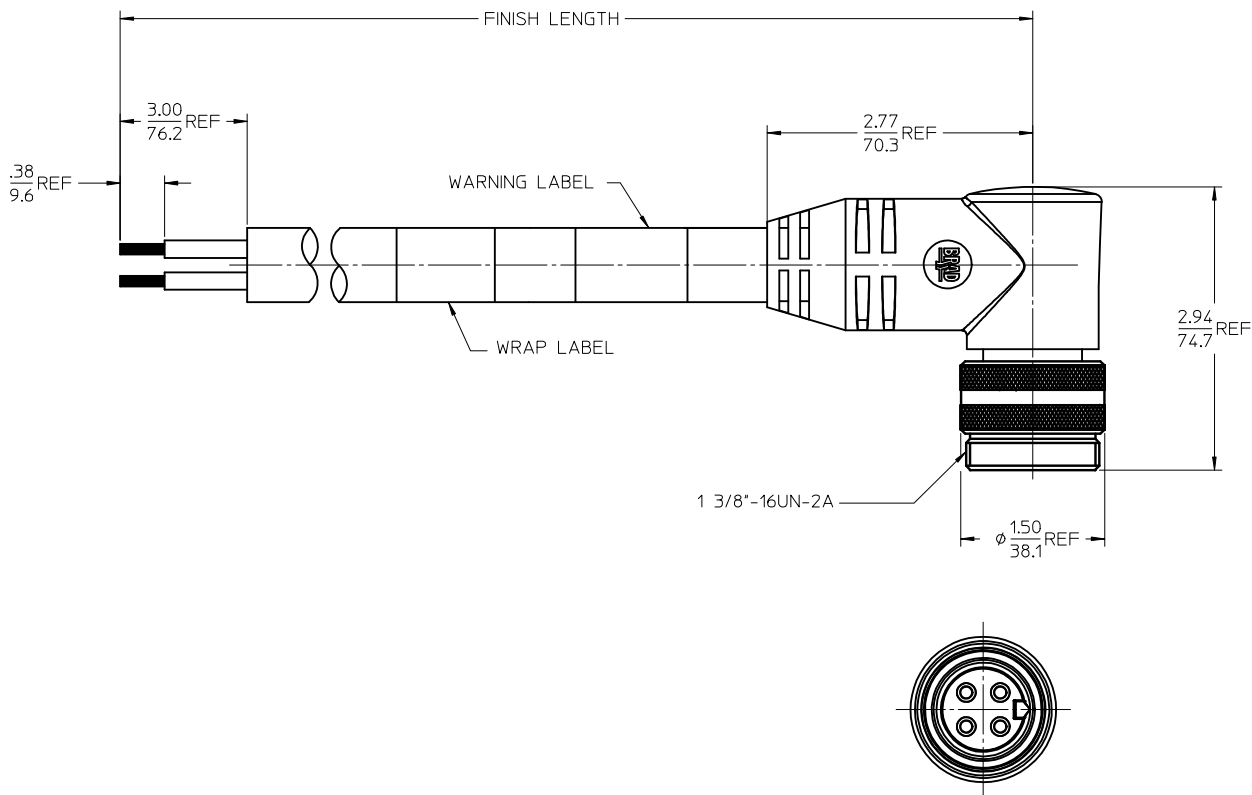
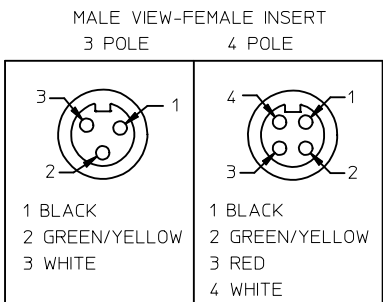


POLES	MATERIAL NO.	ENG. NO.	AMPS	LENGTH
3	1300630194	C03007A48M020	32	2M +89-0MM (6'7"+3.50-0)
4	1300630169	C04007A48M020	32	2M +89-0MM (6'7"+3.50-0)



SPECS:
OVERMOLD: GRAY PVC
INSERT: BLACK PVC
COUPLING NUT: ANODIZED ALUMINUM
CABLE: #10AWG GRAY PVC
DUAL RATED UL TC/OPEN WIRING & ST00W
ELECTRICAL: 600V AC/DC

UPDATED PROFILE EC NO: IPG2014-1160 DRWNG:GGUSTAFSON 2013/12/26 CHKD:VOU 2014/01/15 APPR:RWOODMAN 2014/05/12	DESCRIPTION REV B	QUALITY SYMBOLS ▽=0 ▽=0	GENERAL TOLERANCES (UNLESS SPECIFIED)		DIMENSION STYLE IN/MM		SCALE 1:2	DESIGN UNITS INCH	THIRD ANGLE PROJECTION		
			4 PLACES ± --- ± ---	mm INCH	DRAWN BY B.RUPERT	DATE 01/12/2010	QUICK CHANGE MALE 90 DEGREE 3 & 4 POLE PORTABLES MOLEX INCORPORATED DOCUMENT NO. SD-130063-194 SHEET NO. 1 OF 1				
			3 PLACES ± --- ± .005		CHECKED BY B. WOODMAN	DATE 01/12/2010					
			2 PLACES ± --- ± .010		APPROVED BY JFMURPHY	DATE 2010/01/15					
1 PLACE ± --- ± .020		ANGULAR ± 1/2°	MATERIAL NO. SEE CHART								
DRAFT WHERE APPLICABLE MUST REMAIN WITHIN DIMENSIONS			SIZE C		THIS DRAWING CONTAINS INFORMATION THAT IS PROPRIETARY TO MOLEX INCORPORATED AND SHOULD NOT BE USED WITHOUT WRITTEN PERMISSION						