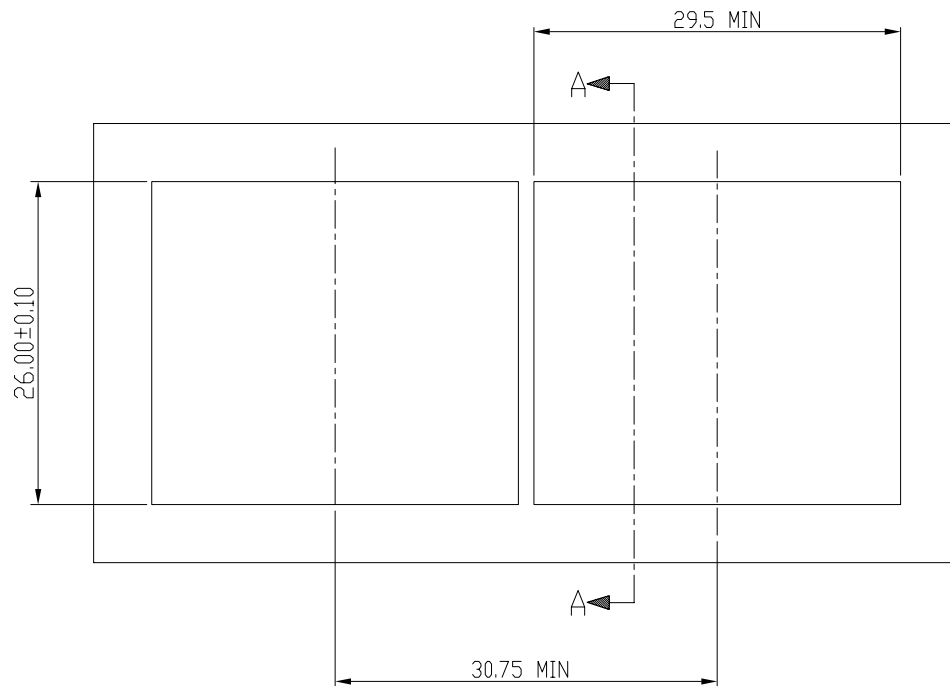
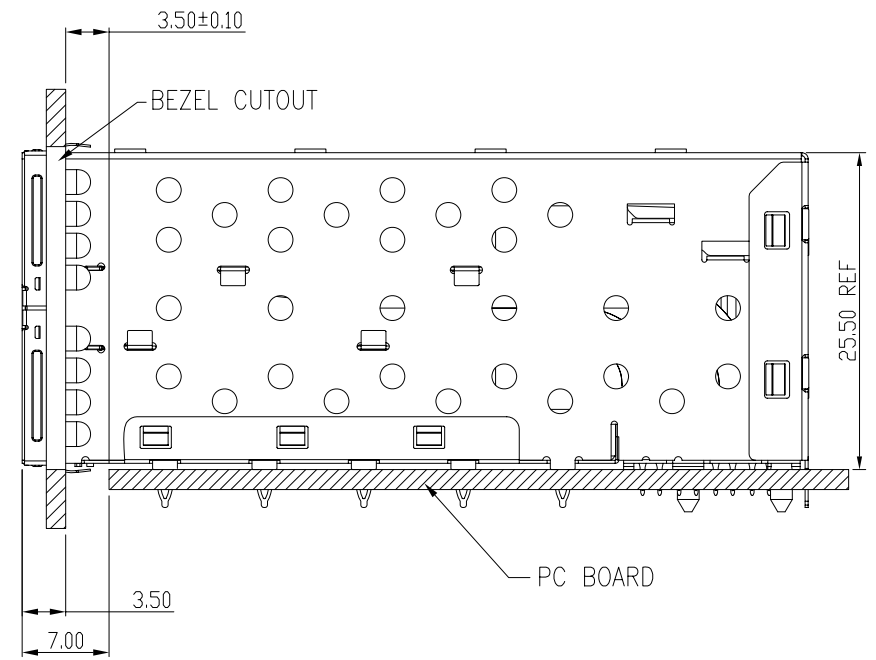


Qty Per:	TRAY	CARTON		
	12	72		
PART NUMBER	STATEMENT			
SFPP-3130-L	INNER/OUTER LIGHT PIPES			
No.	DESCRIPTION	Q'ty	MATERIAL	PLATING
01	SFP CAGE (Non-Logo)	1	ECOTRIO	
02	CONNECTOR	2	HIGH TEMP/COPPER ALLOY	GOLD
03	LIGHT PIPES	2	POLYCARBONITE	
04	EMI TAB	2	ECOTRIO	

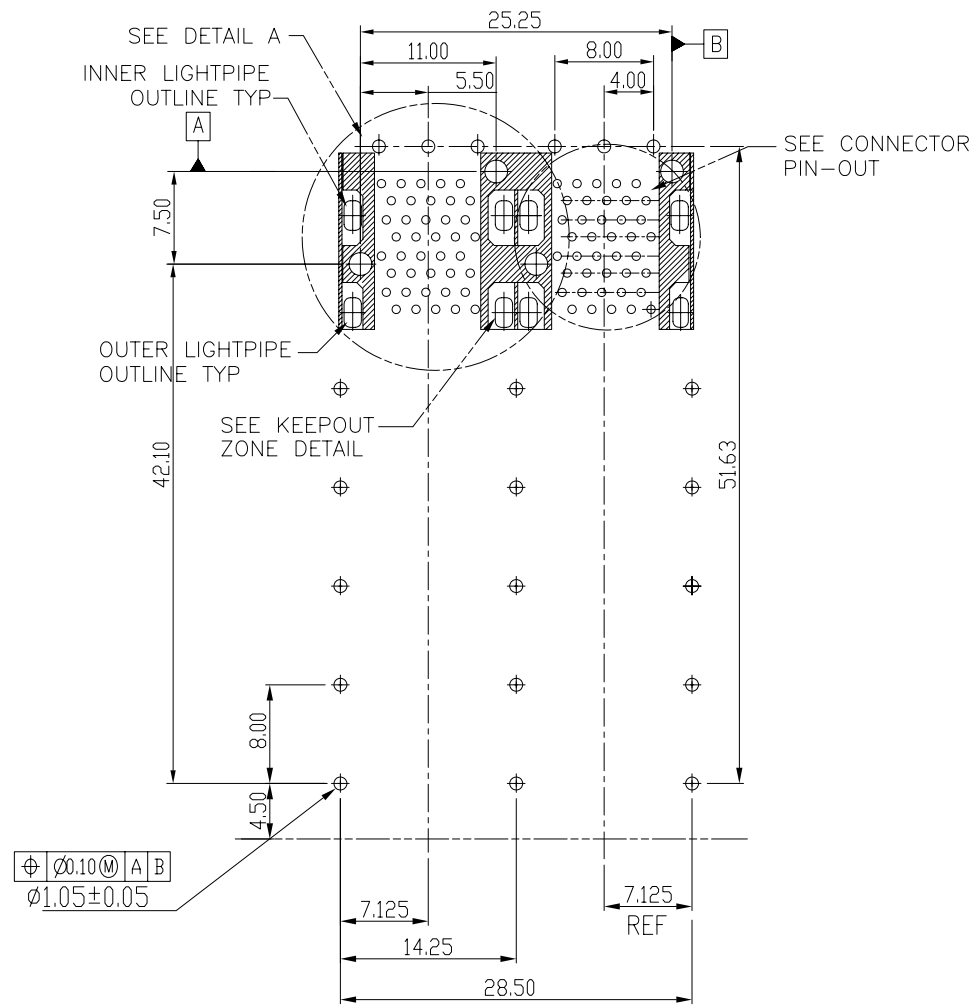
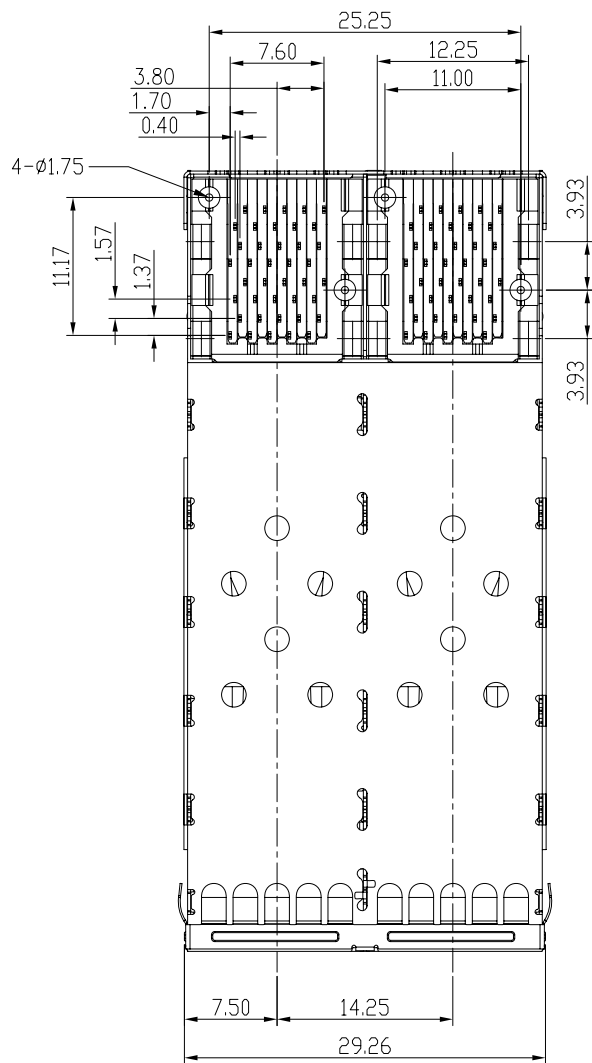
DETACHED LISTS	MM (INCH)	<b>RoHS Compliant</b>			
	TOLERANCES EXCEPT AS NOTED				
	MM	TITLE			
	.0 ± 0.25 ± .00 ± 0.2 ± .000 ± 0.10 ±	W/LIGHT PIPES&EMI TAB			
ANGLES ± 0.5	DFTD Jack		DRAWING NO. CSFPP-3130-L	SIZE	REV
	DATE 11/18/08'		/PART NO. SFPP-3130-L	A3	0
THIRD ANGLE PROJECTION	SCALE : 2:1	DO NOT SCALE DRAWING		SHEET 1	OF 4



BEZEL CUT-OUT CENTER SPACING DETAIL  
 BEZEL THICKNESS:0.8-2.6



DETACHED LISTS	$\longleftrightarrow$ MM (INCH)	<b>RoHS Compliant</b>				
	TOLERANCES EXCEPT AS NOTED					
	MM	±	TITLE W/LIGHT PIPES&EMI TAB SFP 2 BY 2 CAGE+CONNECTOR_P			
	.0 ± 0.25	±				
.00 ± 0.2	±	DFTD Jack		DRAWING NO. CSFPP-3130-L	SIZE	REV
.000 ± 0.10	±	DATE 11/18/08'		/PART NO. SFPP-3130-L	A3	0
ANGLES ± 0.5		SCALE : 2:1		DO NOT SCALE DRAWING	SHEET 2	OF 4
		THIRD ANGLE PROJECTION				

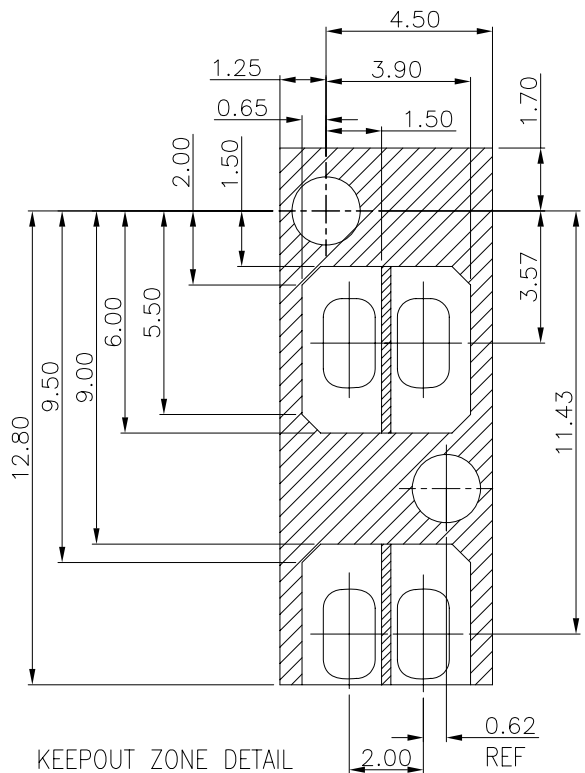


$\text{Ø} \text{Ø}1.05 \text{ (M) A B}$   
 $\text{Ø}1.05 \pm 0.05$

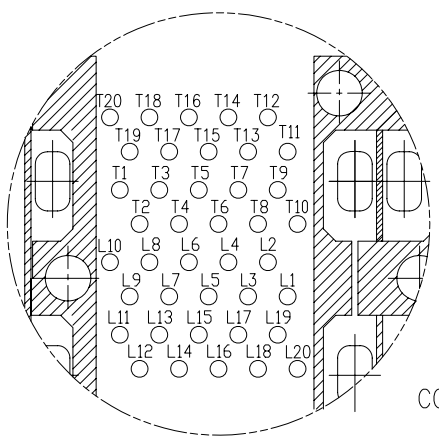
8 | 7 | 6 | 5 | 4 | 3 | 2 | 1

H  
G  
F  
E  
D  
C  
B  
A

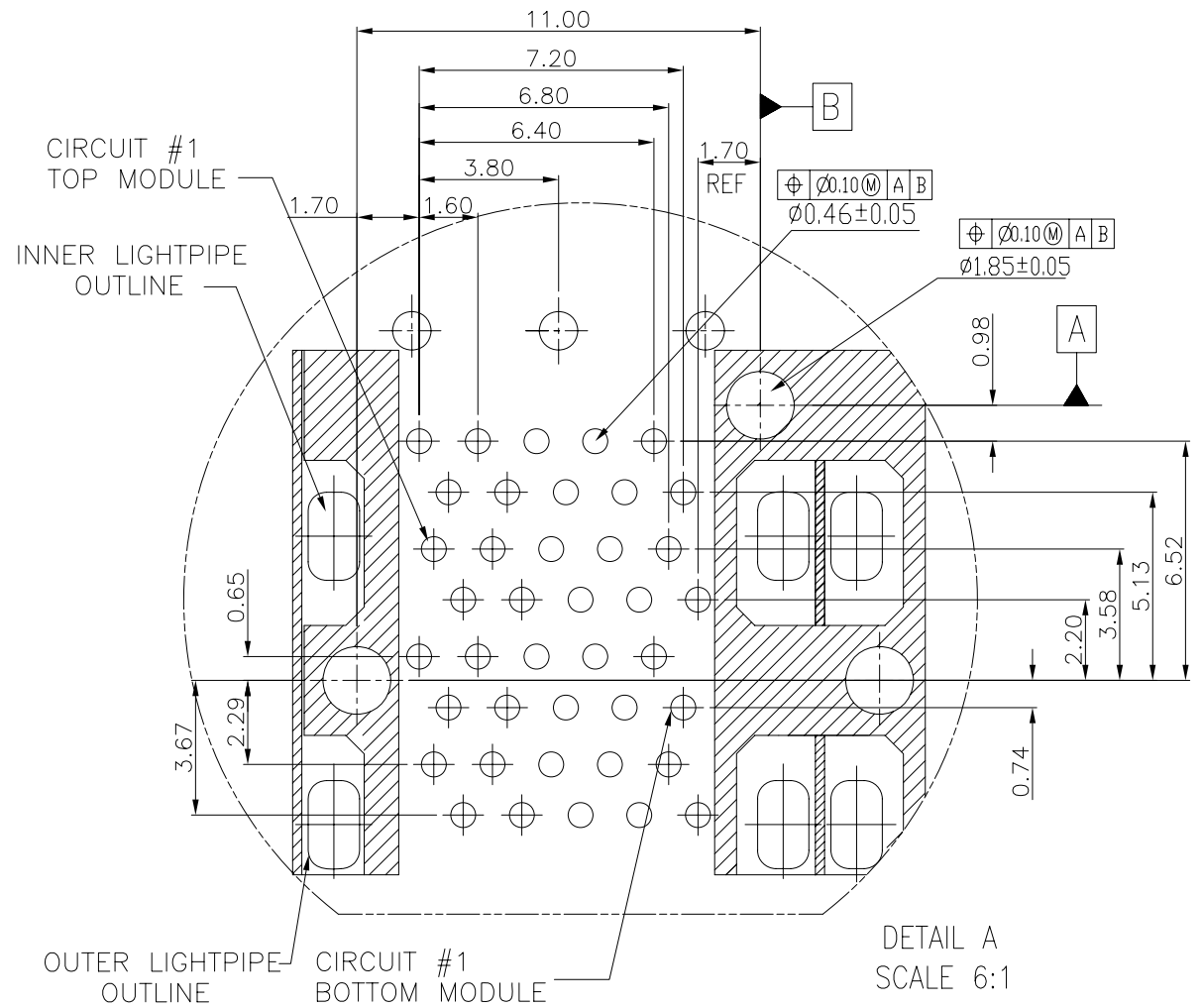
DETACHED LISTS	MM (INCH)	RoHS Compliant				
	TOLERANCES EXCEPT AS NOTED	TITLE				W/LIGHT PIPES&EMI TAB
	MM .0 ± 0.25 ± .00 ± 0.2 ± .000 ± 0.10 ± ANGLES ± 0.5 ±	SFP 2 BY 2 CAGE+CONNECTOR_P				
THIRD ANGLE PROJECTION	DFTD Jack	DRAWING NO. CSFPP-3130-L		SIZE	REV	
	DATE 11/18/08	/PART NO. SFPP-3130-L		A3	0	
	SCALE : 2:1	DO NOT SCALE DRAWING		SHEET 3	OF 4	



KEEPOUT ZONE DETAIL  
SCALE 6:1



CONNECTOR PIN-OUT  
COMPONENT SIDE OF BOARD



DETAIL A  
SCALE 6:1

MM (INCH)		<b>RoHS Compliant</b>			
TOLERANCES EXCEPT AS NOTED		TITLE SFP 2 BY 2 CAGE+CONNECTOR_P			
MM .0 ± 0.25 ± .00 ± 0.2 ± .000 ± 0.10 ±		DRAWING NO. CSFPP-3130-L /PART NO. SFPP-3130-L		SIZE A3	REV 0
ANGLES ± 0.5		DFTD Jack DATE 11/18/08		DO NOT SCALE DRAWING	
 THIRD ANGLE PROJECTION		SCALE : 2:1		SHEET 4 OF 4	