

ELR 3/ 9-500

Order No.: 2941714

The illustration shows the version ELR 3/9-400




<http://eshop.phoenixcontact.de/phoenix/treeViewClick.do?UID=2941714>

Electronic load relay, for direct driving of equipment in the 3-phase network, with light indicator and protection circuit, output: 110-550 V AC/3 x 9 A



Commercial data

GTIN (EAN)	 4 017918 104559
sales group	G411
Pack	1 pcs.
Customs tariff	85371099
Catalog page information	Page 172 (IF-2009)

Product notes

WEEE/RoHS-compliant since:
11/23/2006



<http://www.download.phoenixcontact.com>
Please note that the data given here has been taken from the online catalog. For comprehensive information and data, please refer to the user documentation. The General Terms and Conditions of Use apply to Internet downloads.

Technical data

Input data

Protective circuit	Protection against polarity reversal Polarity protection diode Surge protection
Status display	Yellow LED
Input name	Control input right/left

Nominal input voltage U_N	24 V DC
Input voltage range in reference to U_N	0.8 ... 1.2
Typical input current at U_N	16 mA
Switching threshold "0" signal in reference to U_N	> 0.8
Switching threshold "1" signal in reference to U_N	< 0.3
Reaction time in normal load operation	20 ms
Transmission frequency	10 Hz (With ohmic load)
	1 Hz (At $\cos \phi = 0.5$)

Output data, load relay

Output name	AC output
Nominal output voltage	500 V AC
Nominal output voltage range	110 V AC ... 550 V AC
Periodic peak reverse voltage	1200 V
Mains frequency	50 Hz
	60 Hz
Load current	9 A (see derating curve)
Leakage current	Typ. 7 mA
Residual voltage	Typ. 1.5 V
Surge current	230 A ($t_p = 10$ ms, at 25 °C)
Type of protection	RC element
Protective circuit/component	RC element
Type of protection	Surge protection
Surge voltage protection	> 750 V

Connection data

Type of connection	Screw connection
Stripping length	8 mm
Conductor cross section solid min.	0.2 mm ²
Conductor cross section solid max.	6 mm ²
Conductor cross section stranded min.	0.2 mm ²
Conductor cross section stranded max.	4 mm ²
Conductor cross section AWG/kcmil min.	24
Conductor cross section AWG/kcmil max	10
Screw thread	M3

General data

Width	62 mm
Height	84 mm
Depth	110 mm
Test voltage input/output	2.5 kV
Ambient temperature (operation)	-20 °C ... 60 °C
Ambient temperature (storage/transport)	-20 °C ... 70 °C
Mounting position	Vertical (horizontal DIN rail)
Assembly instructions	Can be aligned with > 20 mm spacing
Operating mode	100% operating factor
Degree of protection	IP20
Name	Air and creepage distances between the power circuits
Standards/regulations	EN 50178
	Basic insulation
Name	Power station requirements
	EMC regulations
Standards/regulations	EN 61000-6-2
	EN 61000-6-4

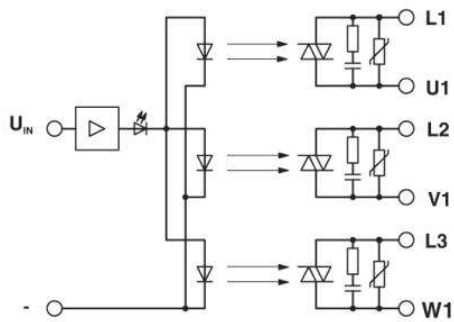
Certificates / Approvals

Certification

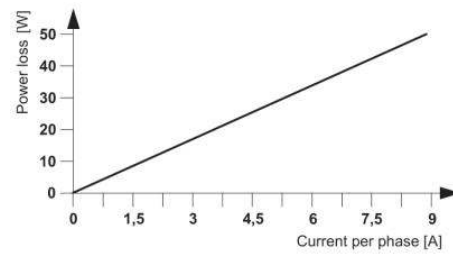
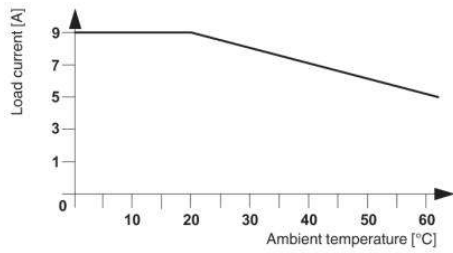
GOST

Diagrams/Drawings

Block diagram



Diagram



Address

PHOENIX CONTACT Deutschland GmbH
Flachmarktstr. 8
32825 Blomberg, Germany
Phone +49 5235 3 12000
Fax +49 5235 3 41200
<http://www.phoenixcontact.de>



© 2011 Phoenix Contact
Technical modifications reserved;