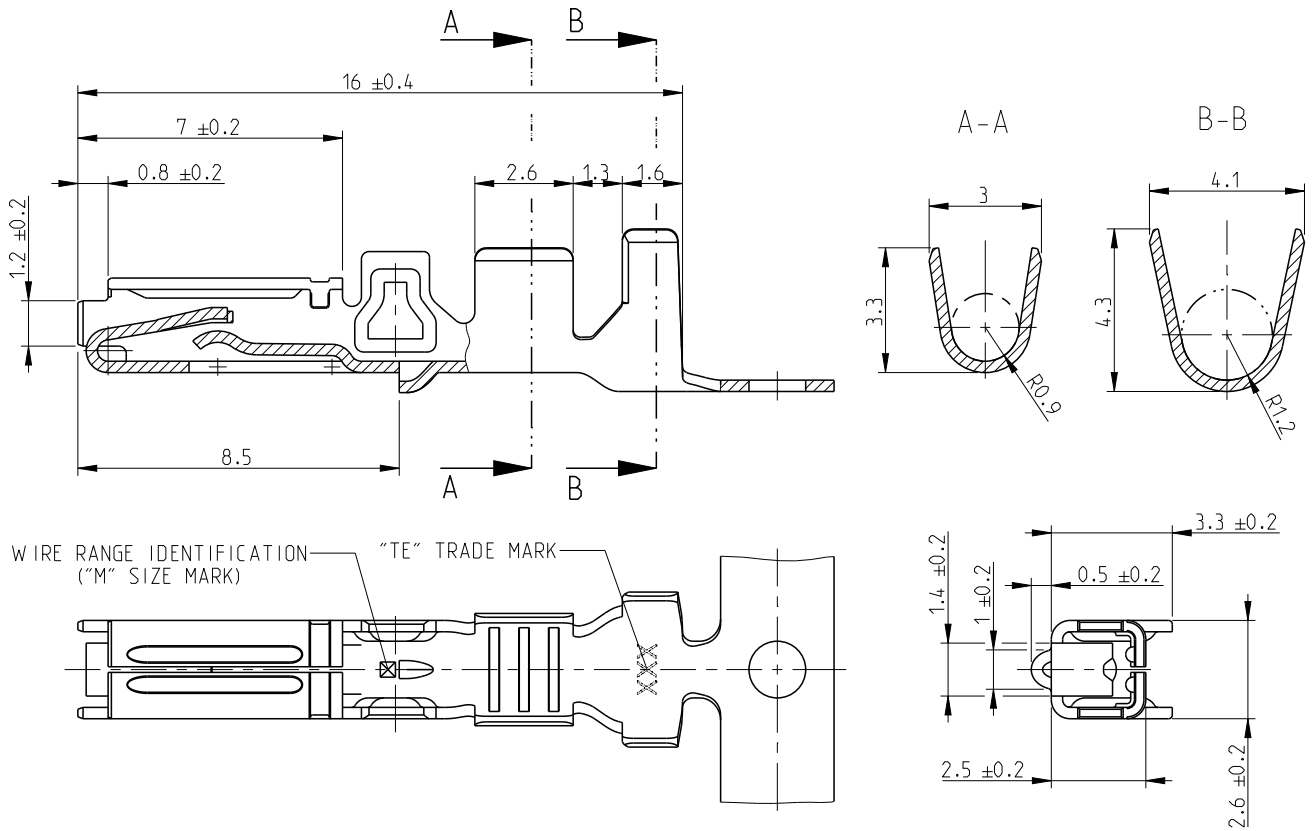


REVISIONS					
P	LTR	DESCRIPTION	DATE	DWN	APVD
	A3	Redrawn to Creo	08MAR2017	JJH	JP



1. DELIVERY STATE: ITEM IS SUPPLIED REELED ON CARTON REEL WITH STRIP PITCH = 11.9±0.2mm  
 STATO DI FORNITURA: AVVOLTI SU BOBINA CON PASSO TRA TERMINALI DI = 11.9±0.2mm

CUSTOMER DRAWING FOR INFORMATION ONLY  
 DISEGNO PER CLIENTE SOLO PER RIFERIMENTO

THIS DRAWING IS UNPUBLISHED. BY - ALL RIGHTS RESERVED. COPYRIGHT © 20

A3

INS. DIA. RANGE (DIAM. ISOLANTE)	WIRE RANGE (RANGO FILO)
∅1.9 - 2.4mm	0.75 - 1.5mm <sup>2</sup>

PRE-TIN (PRE-STAGNATO)	BRONZO FOSF. (PHOS. BRONZE)	284088-2
PRE-TIN (PRE-STAGNATO)	BRASS (OTTONE)	284088-1
FINISH/COLOUR (FINITURE/COLORE)	MATERIAL (MATERIALE)	PART NUMBER

DIMENSIONS: mm	DWN Q. CANUTO 17 JUL 1996	MATERIAL -	FINISH -
TOLERANCES UNLESS OTHERWISE SPECIFIED:	CHK A. BRUNI 17 JUL 1996	TE Connectivity	
0 PLC ± 1 PLC ± 2 PLC ± 3 PLC ± 4 PLC ±	APVD -		
±0.3 ±2°	PRODUCT SPEC 108-20175	NAME MULTILOCK .070 SRS REC. CONTACT FOR NEW GENERATION CONNECTOR	
	APPLICATION SPEC 114-20098	SIZE A 4	CAGE CODE -
	WEIGHT -	DRAWING NO C=284088	RESTRICTED TO -
CUSTOMER DRAWING		SCALE 5:1	SHEET 1 OF 1
			REV A3