

SACC-DSI-MS-4CON-M12 SCO

Order No.: 1551820



<http://eshop.phoenixcontact.de/phoenix/treeViewClick.do?UID=1551820>

Sensor/actuator flush-type connector, 4-pos., M12 SPEEDCON, A-coded, rear/screw mounting with M12 thread, with straight solder connection




Product notes

WEEE/RoHS-compliant since:
04/13/2007



Commercial data

GTIN (EAN)	
sales group	D125
Pack	20 pcs.
Customs tariff	85366990
Catalog page information	Page 29 (PC-2009)

<http://www.download.phoenixcontact.com>
Please note that the data given here has been taken from the online catalog. For comprehensive information and data, please refer to the user documentation. The General Terms and Conditions of Use apply to Internet downloads.

Technical data

General data

Rated current at 40°C	4 A
Rated voltage	250 V
Number of positions	4
Volume resistance	≤ 3 mΩ

Insulation resistance	≥ 100 MΩ
Ambient temperature (operation)	-25 °C ... 85 °C (connector)

General characteristics

Standards/regulations	M12 connector IEC 61076-2-101
Coding	A - standard
Surge voltage category	II
Pollution degree	3
Degree of protection	IP67
Contact material	Cu alloy
Contact surface material	Au
Contact carrier material	PA 66
Material, knurls	Zinc die-cast, (nickel-plated)
Sealing material	NBR
Mounting type	Rear mounting M12 x 1 With flat nut
Type of connection	Solder pins
Status display	No

Certificates / Approvals

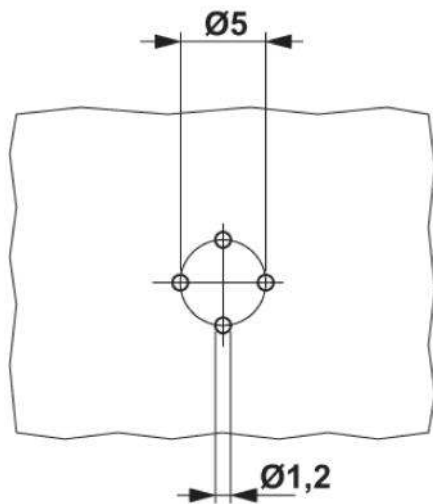


Certification

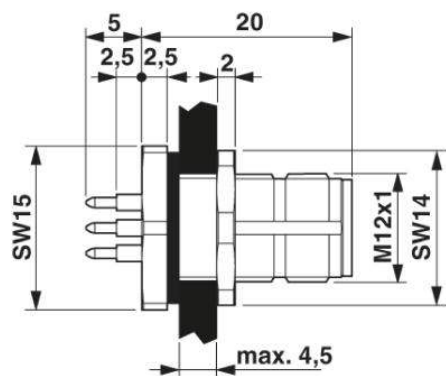
UL

Diagrams/Drawings

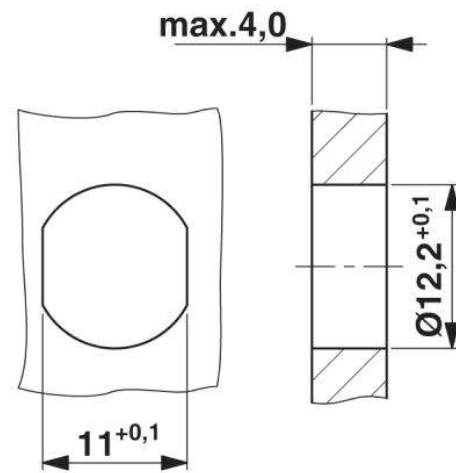
Drilling plan/solder pad geometry



Dimensioned drawing

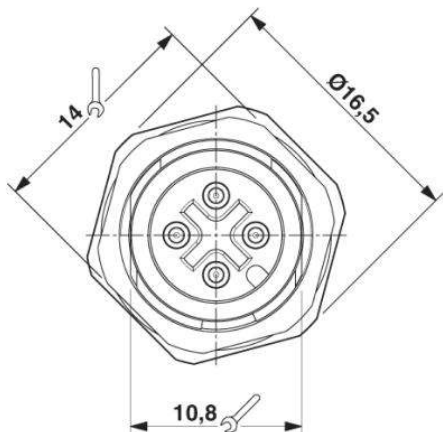


M12 flush-type connector



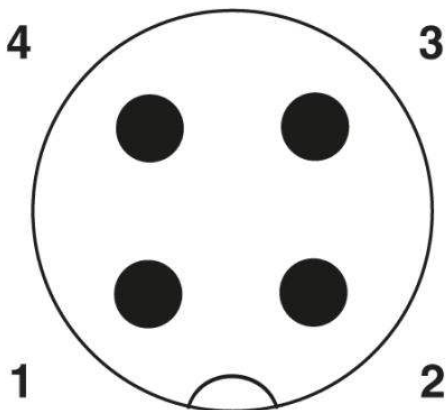
Mounting cut-out

Front view of M12 flush-type connector



Schematic diagram

Pin assignment M12 plug, 4-pos., A-coded, view plug side



Address

PHOENIX CONTACT Inc., USA
586 Fulling Mill Road
Middletown, PA 17057, USA
Phone (800) 888-7388
Fax (717) 944-1625
<http://www.phoenixcon.com>



© 2010 Phoenix Contact
Technical modifications reserved;