

- 1
- 2
- 3
- 4
- 5
- 6
- 7
- 8
- 9
- 10
- 11
- 12
- 13
- 14
- 15
- 16
- 17
- 18

STANDARD EXECUTIONS

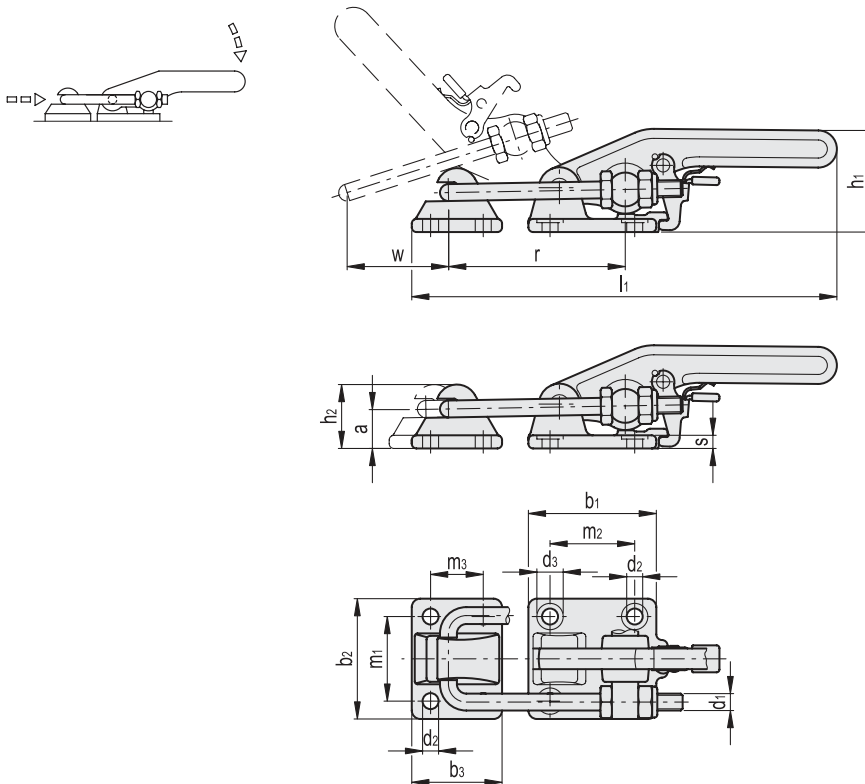
AISI 316 stainless steel spring.

- **MTP-S-T6**: body made out of black coated weldable steel. Ground and hardened steel pin. Zinc-plated steel pulling hook, oscillating pin, nuts, lever and safety hook.

- **MTP-S-T6X**: AISI 304 stainless steel body. AISI 303 stainless steel pin, pulling hook, oscillating pin, nuts, lever and safety hook.

FEATURES AND APPLICATIONS

All articulated joints are lubricated with special grease. MTP-S clamps ensure tight closing with each type of cover. Heavy-duty series: high mechanical strength of the materials used. Suitable for the most critical applications with strong vibration stresses where it is required to exert high forces against accidental opening. The position of the pulling hook can be adjusted in length according to the specific applications. The clamp opening is obtained by actuating the button to disengage the safety device, thus it is possible to operate with the control lever.



MTP-S-T6

METRIC

Code	Description	a	b1	b2	b3	d1	d2	d3	h1	h2	l1	m1	m2	m3	r	s	Stroke w	FH [N]*	Δ
GG.AL795	MTP-S-1700-T6	21	68	64	48	M10	8.5	14	55	34	226	45	45	28	94+106	7	54+58	17000	1134
GG.AL800	MTP-S-4000-T6	27	85	80	60	M12	10.5	16	68	42	282	57	57	35	112+124	9	62+65	40000	2164

MTP-S-T6X

INOX STAINLESS STEEL METRIC

Code	Description	a	b1	b2	b3	d1	d2	d3	h1	h2	l1	m1	m2	m3	r	s	Stroke w	FH [N]*	Δ
GG.AS615	MTP-S-1700-T6X	21	68	64	48	M10	8.5	14	55	34	226	45	45	28	94+106	7	54+58	14000	1145
GG.AS620	MTP-S-4000-T6X	27	85	80	60	M12	10.5	16	68	42	282	57	57	35	112+124	9	62+65	30000	2185

Toggle clamps

* Holding force.