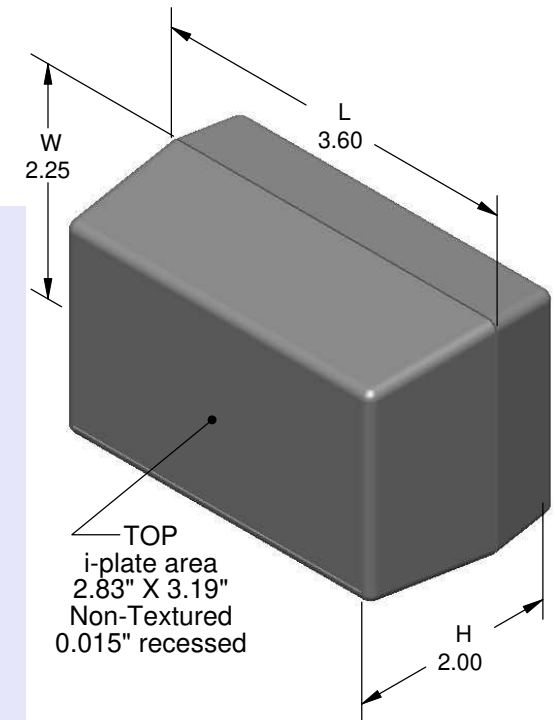
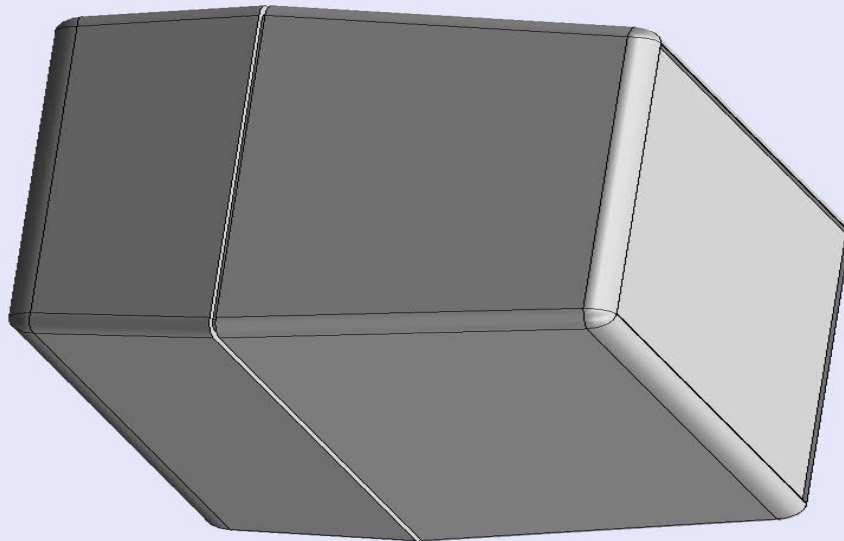


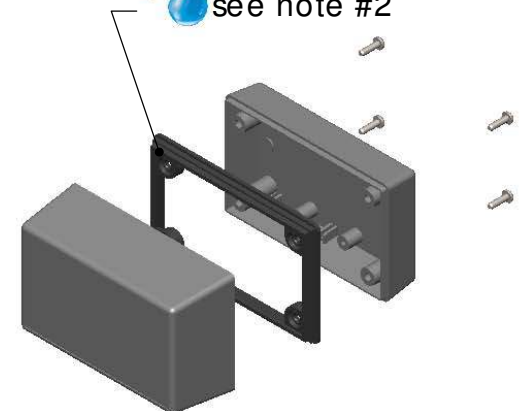
SERPAC112i (exploded isometric)

Electronic Enclosures

- Click on image to show toolbar. Use ▶ || to Play/Pause Animation.
- Left click and drag on image to move 3D model.



Water proofing gasket
 PS11 optional.
 see note #2



- Zoom in & out with center wheel.
- Pause at any moment to view and or print views.
- Change the views to ortho and section views if needed from the Views pull down menu.
- Explore options included in the tool bar like: Views, Transparency of model, Lighting type, etc.

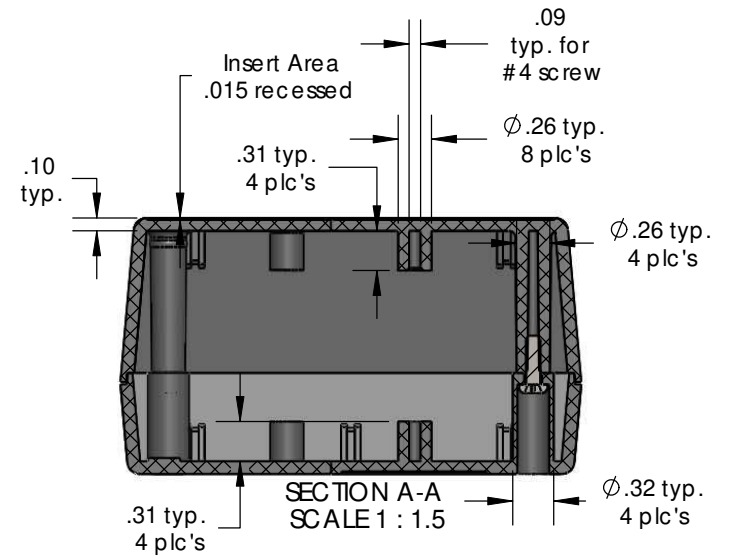
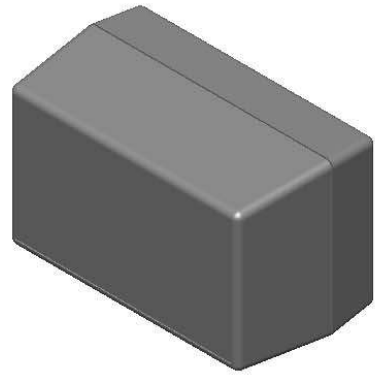
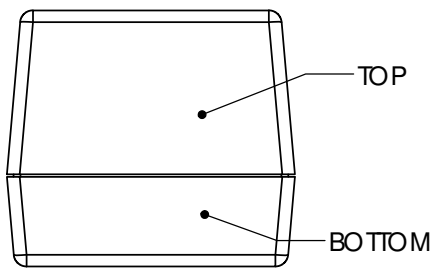
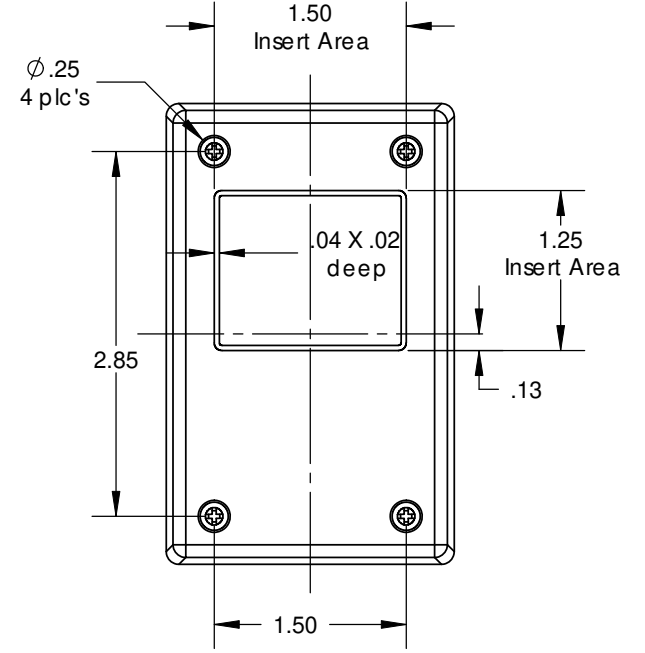
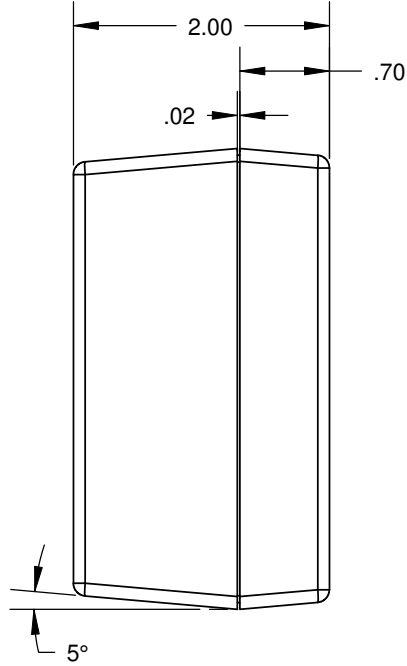
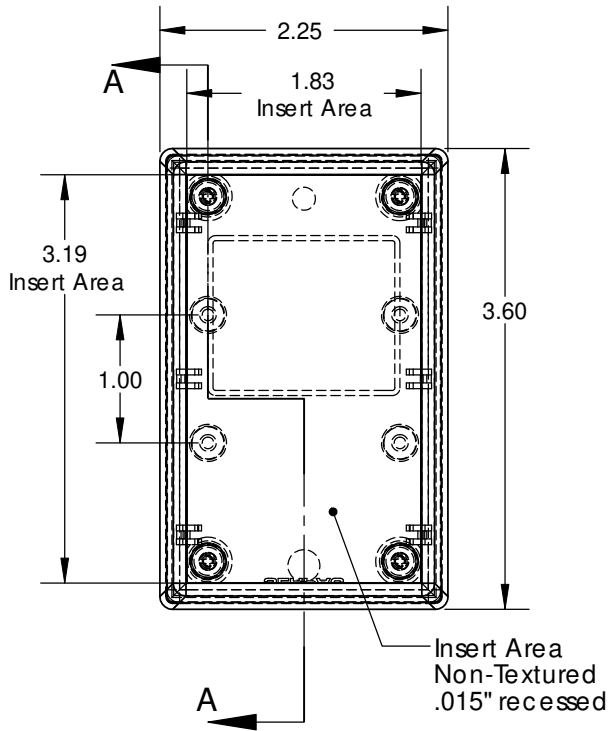
PART NO.	DESCRIPTION (Included)	ACCESSORIES (Optional)	
1-2-i	TOP	PART NO.	DESCRIPTION
11	BOTTOM	50	Non-skid Feet
6005	#4X3/8" Self tapping (4)	PS11	Perimeter Seal
		310	Prototype grid board
		410	Prototype clad board

Notes: Enclosure weight .16 lbs/ 71 gm
 1) Enclosure meets or exceeds IP40 and NEMA 1
 2) When used with PS11 the enclosure meets or exceeds IP 67 and NEMA 4X, 12 and 13 MIL-STD-810G 506.5
 3) Circuit Board drawings can be download at:
<http://www.serpac.com/Accessories/CircuitBoard/drawings/310-410.pdf>
 4) All components are RoHSC compliant.

ALL DIMENSIONS ARE ± .010" 3/18/10 (1 of 2)
 619 Commercial Ave. Covina, CA 91723
 Ph. (626) 331-0517 Fx. (626) 331-8584 serpac.com

SERPAC 112i (user print)

Electronic Enclosures



PART NO.	DESCRIPTION (Included)	ACCESSORIES (Optional)	
1-2-i	TOP	PART NO.	DESCRIPTION
11	BOTTOM	50	Non-skid Feet
6005	#4X3/8" self tapping (4)	PS11	Perimeter Seal
		310	Prototype grid board
		410	Prototype clad board

Notes: Enclosure weight .16 lbs / 71 gm
 1) Enclosure meets or exceeds IP40 and NEMA 1
 2) When used with PS11 the enclosure meets or exceeds IP 67 and NEMA 4X, 12 and 13 MIL-STD-810G 506.5
 3) Circuit Board drawings can be download at:
<http://www.serpac.com/Accessories/CircuitBoard/drawings/310-410.pdf>
 4) All components are RoHS Compliant.

ALL DIMENSIONS ARE ± .010" 3/22/10 (2 of 2)
 619 Commercial Ave. Covina, CA 91723
 Ph. (626) 331-0517 Fx. (626) 331-8584 www.serpac.com