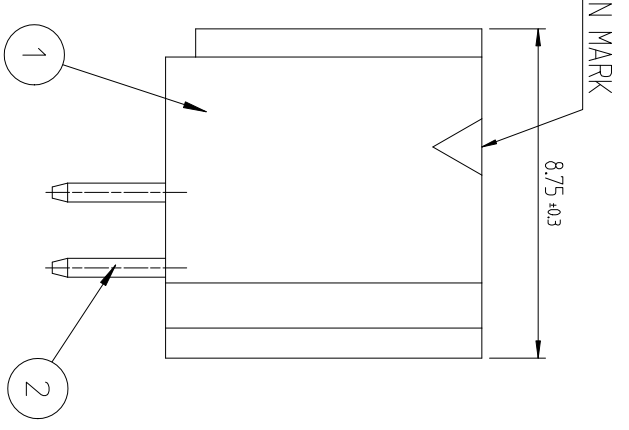
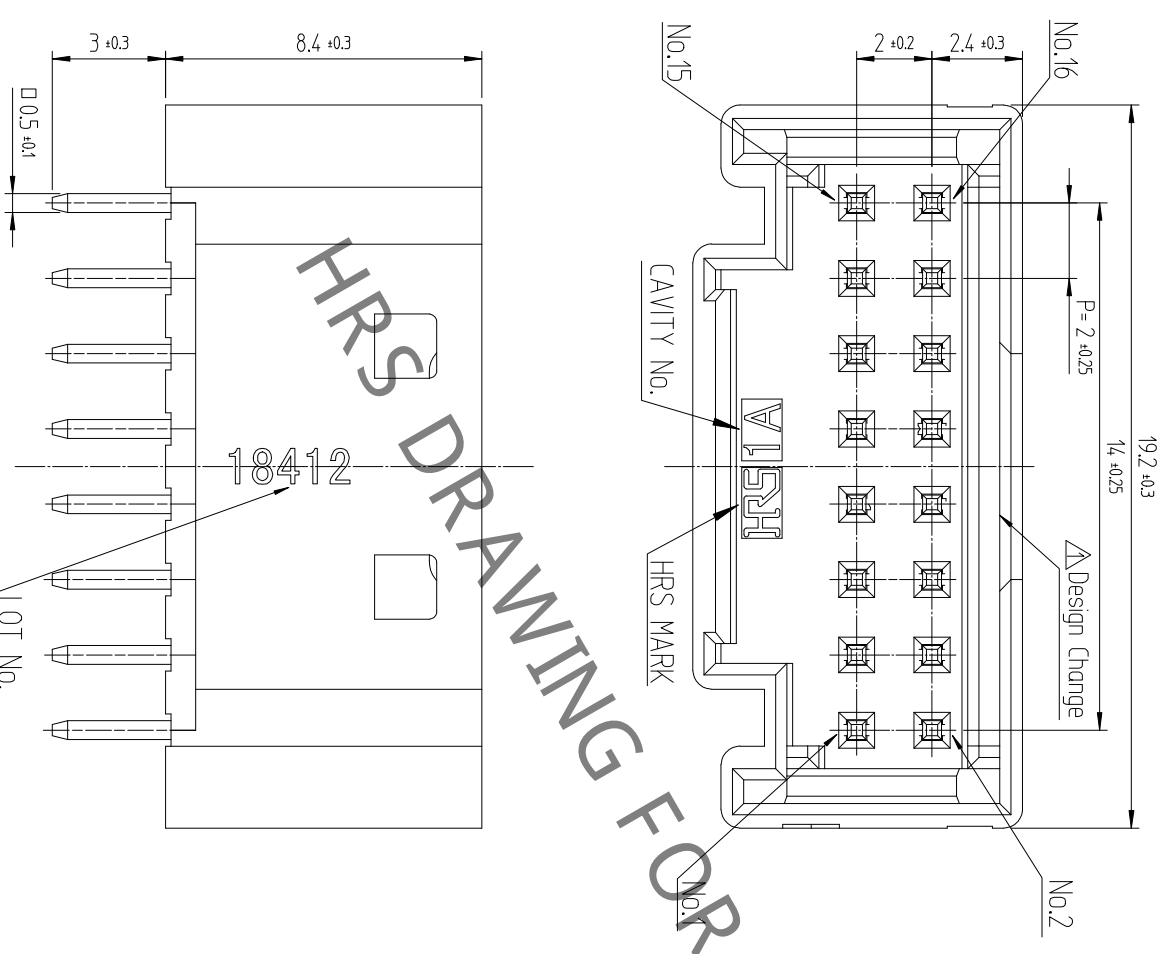
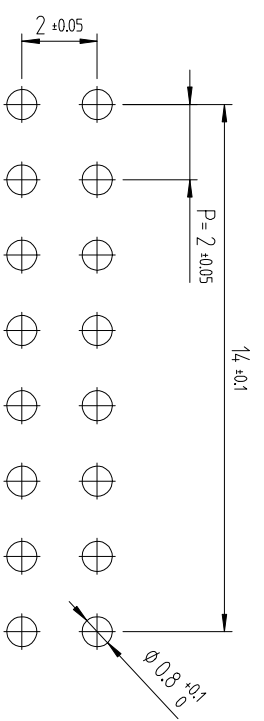
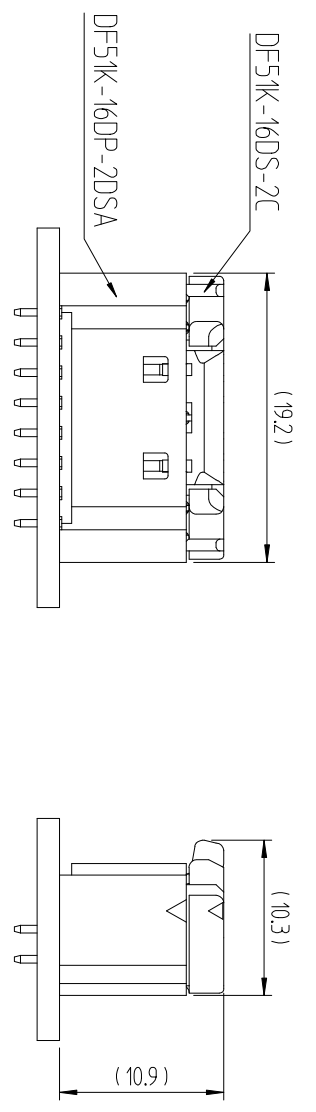
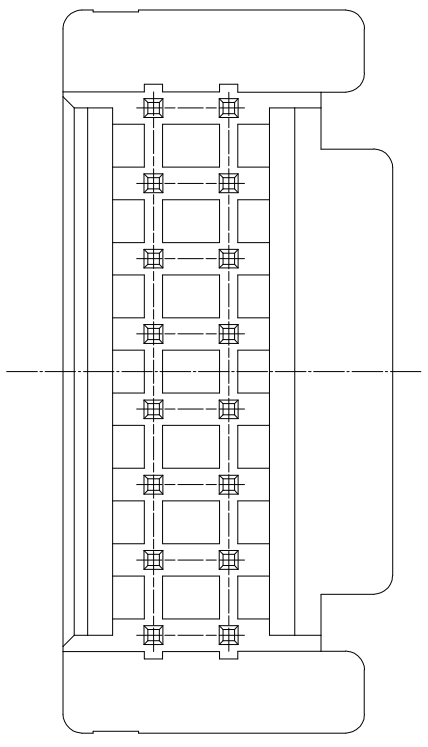


△數 COUNT	訂正事項 DESCRIPTION OF REVISIONS	檢圖 CHKD	年月日 DATE	△數 COUNT	訂正事項 DESCRIPTION OF REVISIONS	檢圖 CHKD	年月日 DATE
1	RE-6-1150	K.I.Y	18. 07. 04	△			.. .
2	RE-6-1579	K.I.Y	20. 01. 23	△			.. .

RECOMMENDED LAND PATTERN (FREE)
 (PCB THICKNESS t=1.6mm)



HRS DRAWING FOR REFERENCE



ENGAGEMENT FIGURE (2:1)

NOTE 1. 1PACK CONTAINS 100PCS.

2. () DIMENSIONS ARE ONLY REFERENCE.

△ 3. UL(File No. E132750) AUTHORIZATION ARTICLE.

C-UL(File No. E132750) AUTHORIZATION ARTICLE.



1	△ PA66	UL94V-0, BLACK	2	BRASS	TIN PLATING 1µm MIN. OVER NICKEL 0.5µm MIN
NO. MATERIAL		FINISH/REMARKS		FINISH/REMARKS	
CODE NO. (OLD)		DRAWN		APPROVED	
		CHOI (17.12.22) JS		KANG (17.12.22) T.S	
		DESIGNED		RELEASED	
		CHOI (17.12.22) JS		ENG (20.02.12) DEPT	
		CHECKED			
		LIM (17.12.22) S.M			
DRAWING NO.		PART NO.			
EDC3-632463		DF51K-16DP-2DSA (800)			
SCALE 5:1		CODE NO.			
UNITS mm		CL 6652-0012-8-800			

1/1