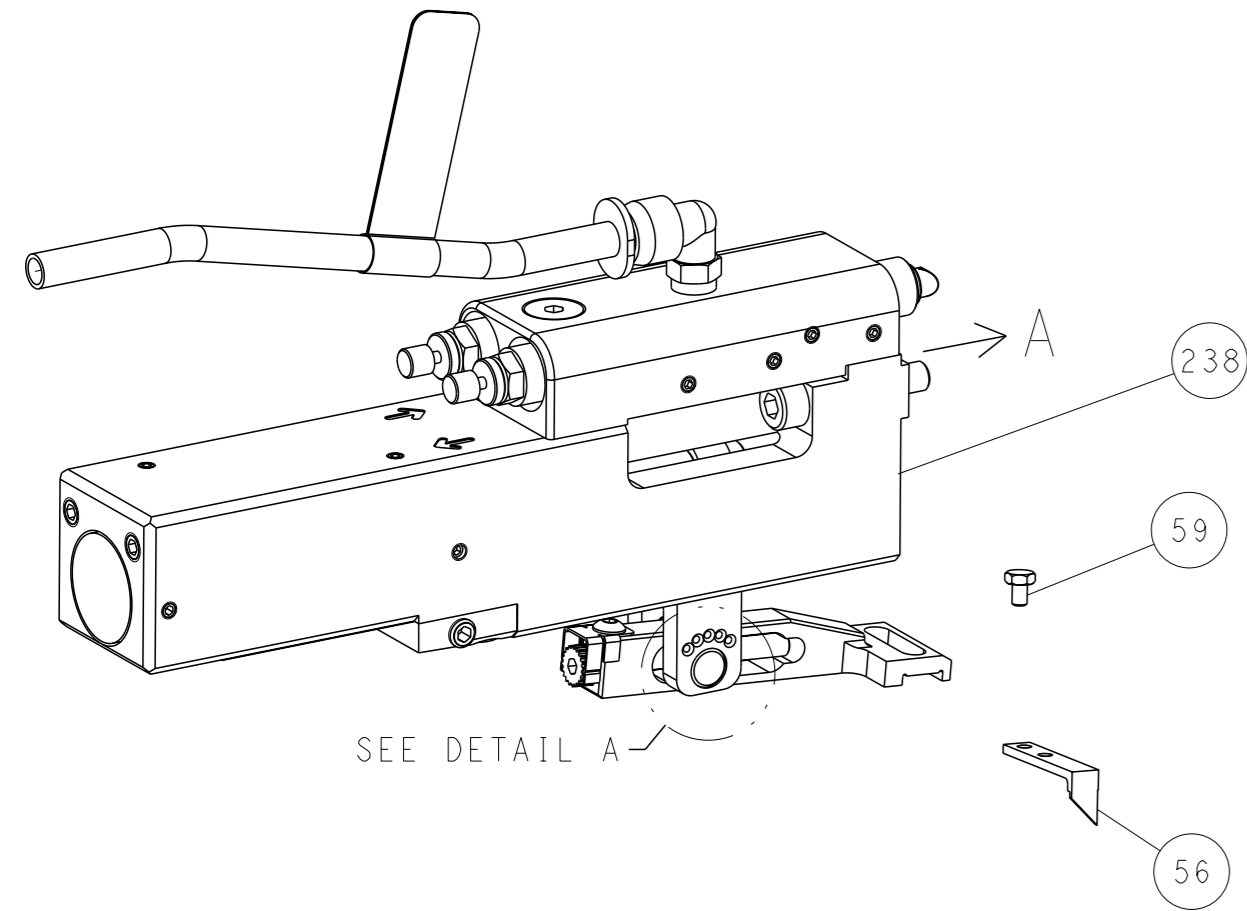


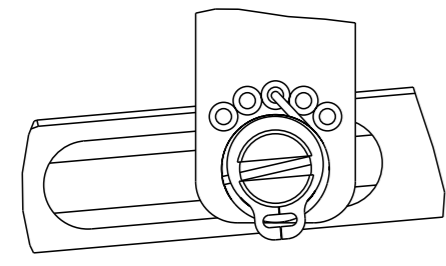
LOC		DIST		REVISIONS			
A		66		REV	DATE	OWN	APVD
-				1	SEE SHEET 1	-	-

FEED TYPE PNEUMATIC



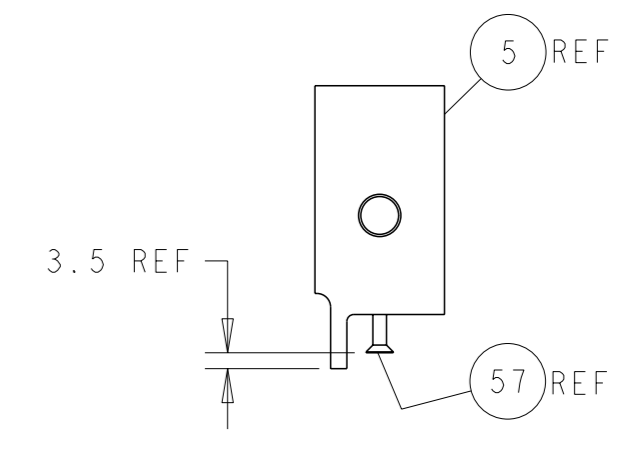
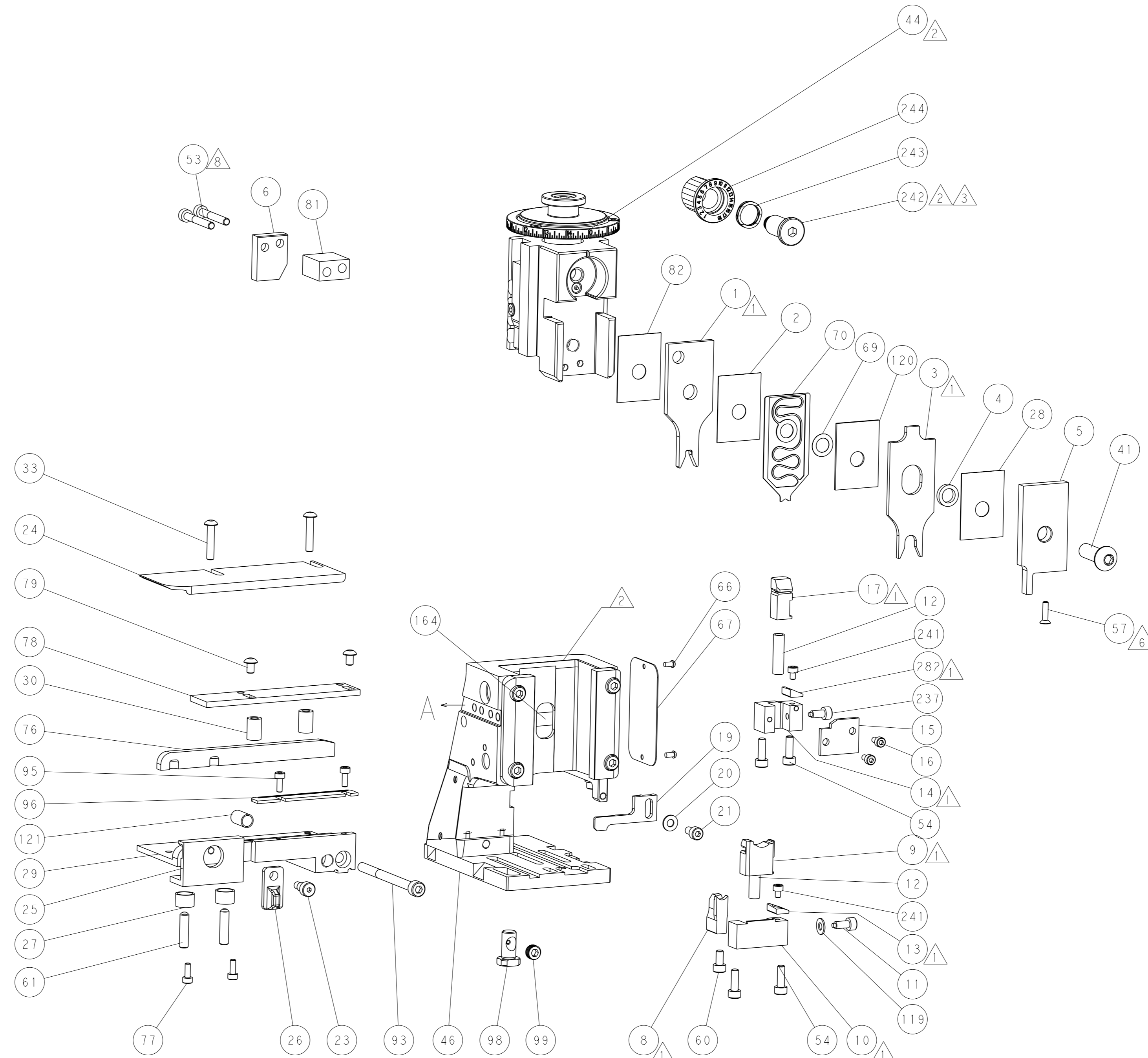
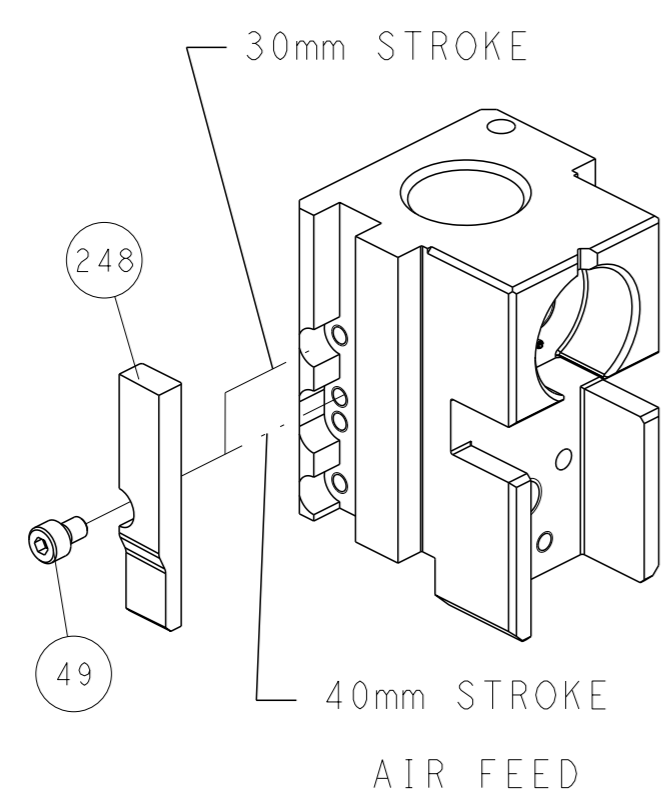
SEE DETAIL A

FEED SPRING SETTING POSITION (SHOWN FROM REAR SIDE)

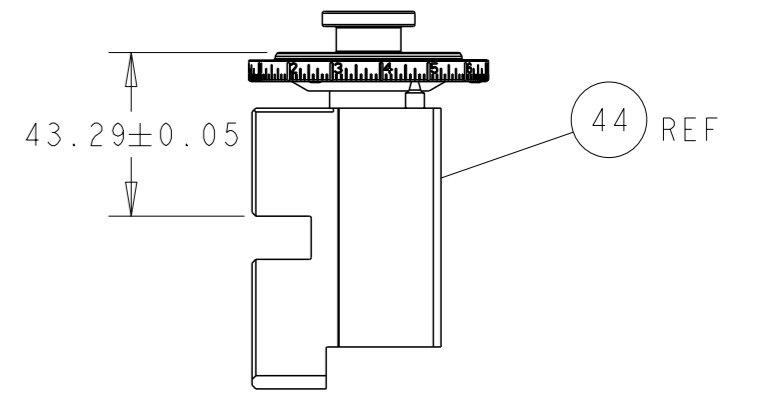


DETAIL A

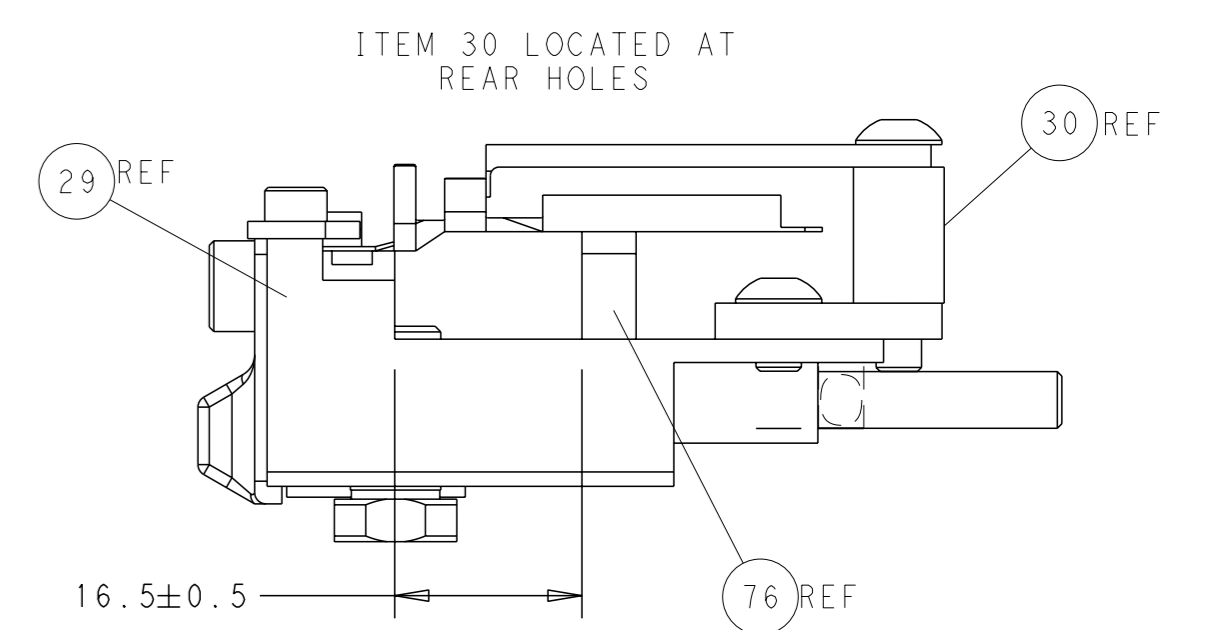
CAM POSITION



SHEAR DEPRESSOR DETAIL



HOLDDOWN SET-UP



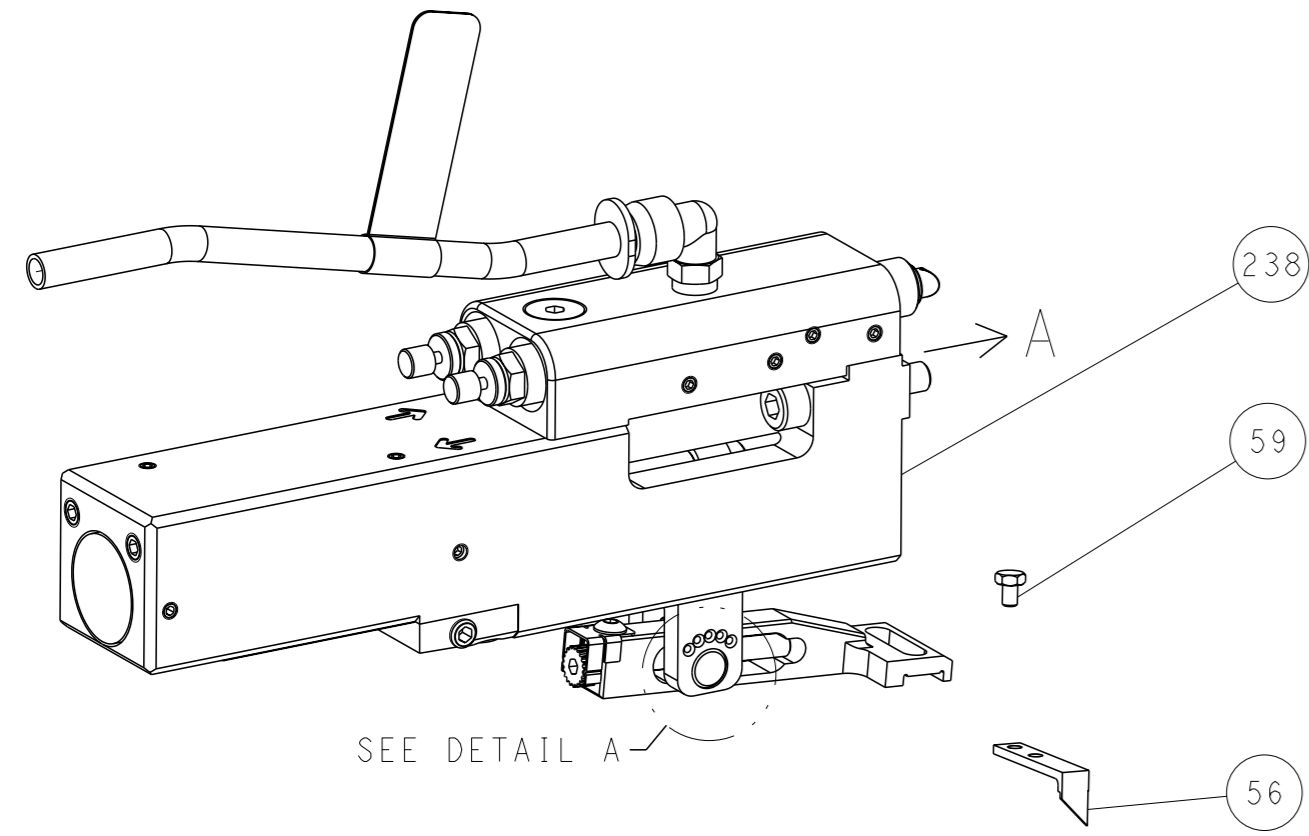
FEED TRACK POSITION
GUIDE BY WIRE BARREL

ATLANTIC VERSION
 Shown on sheets 1 of 4 & 2 of 4
 (Pacific version shown on sheets 3 of 4 & 4 of 4)

DIMENSIONS:		TOLERANCES UNLESS OTHERWISE SPECIFIED:		OWN: R. KNEPPER 30 JUL 2012		TE Connectivity	
mm		0 PLC ±		CHK: G. BAILEY 30 JUL 2012		Harrisburg, PA 17105-3608	
Ø		1 PLC ±		APVD: M. CLIFFORD 30 JUL 2012		NAME: Ocean Side Feed Applicator	
H		2 PLC ±		PRODUCT SPEC		SIZE: A	
L		3 PLC ±		APPLICATION SPEC		CAGE CODE: 00779	
R		4 PLC ±		WEIGHT		DRAWING NO: 2151711	
S		5 PLC ±		MATERIAL		RESTRICTED TO: -	
T		6 PLC ±		FINISH		SCALE: 1:2	
U		7 PLC ±		Customer Accessible Production Drawing		SHEET 2 of 4	
V		8 PLC ±				REV F	

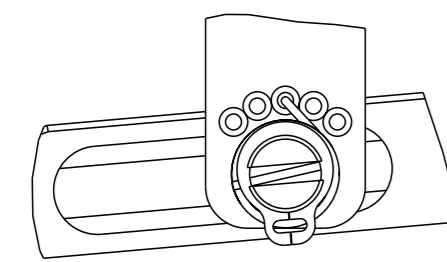
LOC	DIST	REVISIONS			
A	66	REV	DATE	OWN	APVD
		1	SEE SHEET 1		

FEED TYPE PNEUMATIC



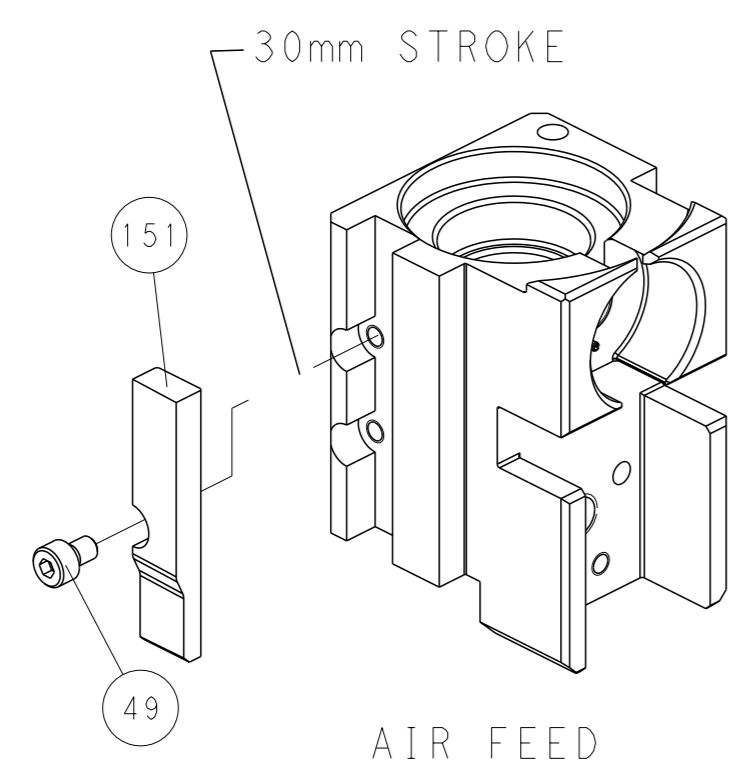
SEE DETAIL A

FEED SPRING SETTING POSITION (SHOWN FROM REAR SIDE)

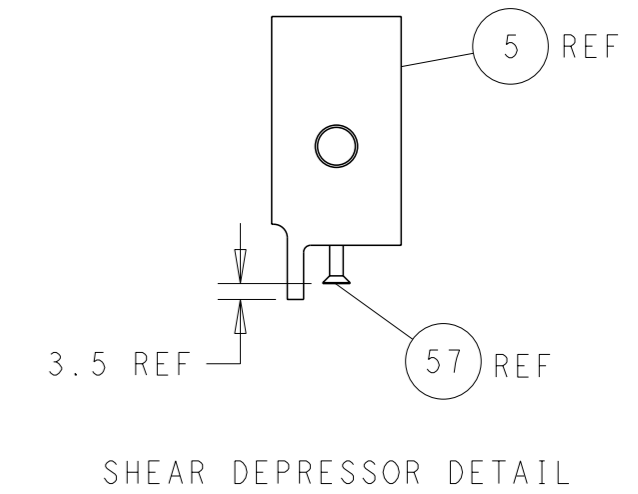
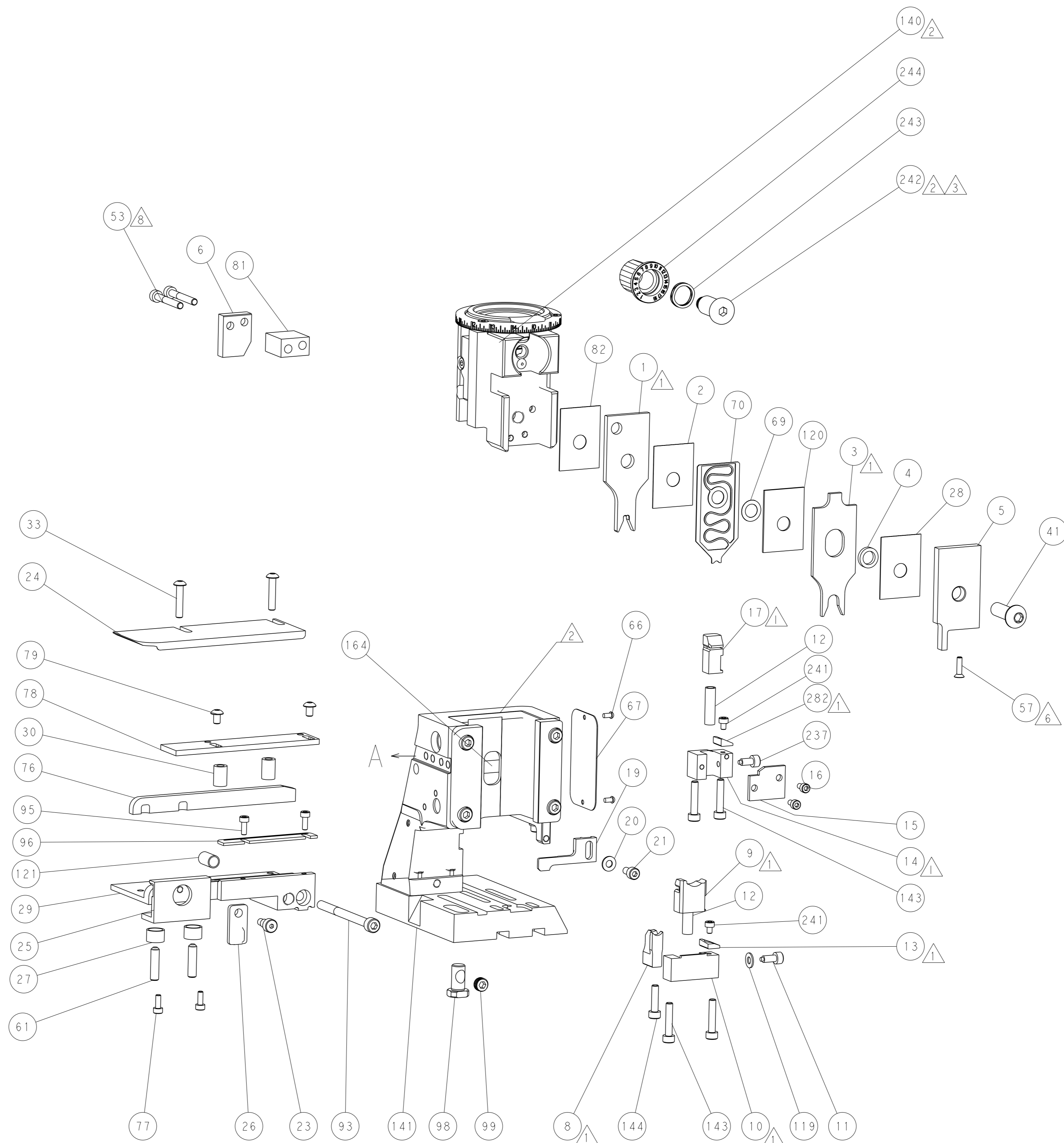


DETAIL A

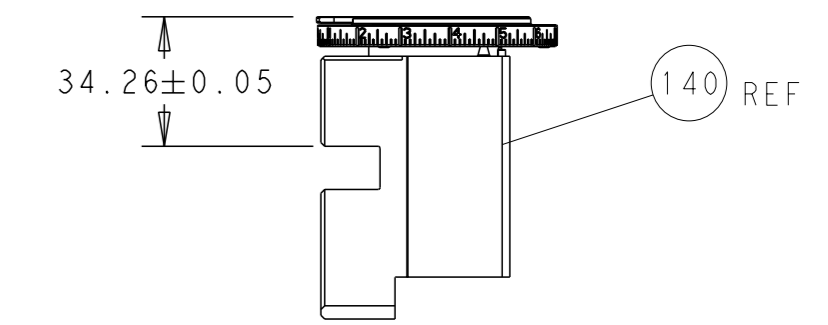
CAM POSITION



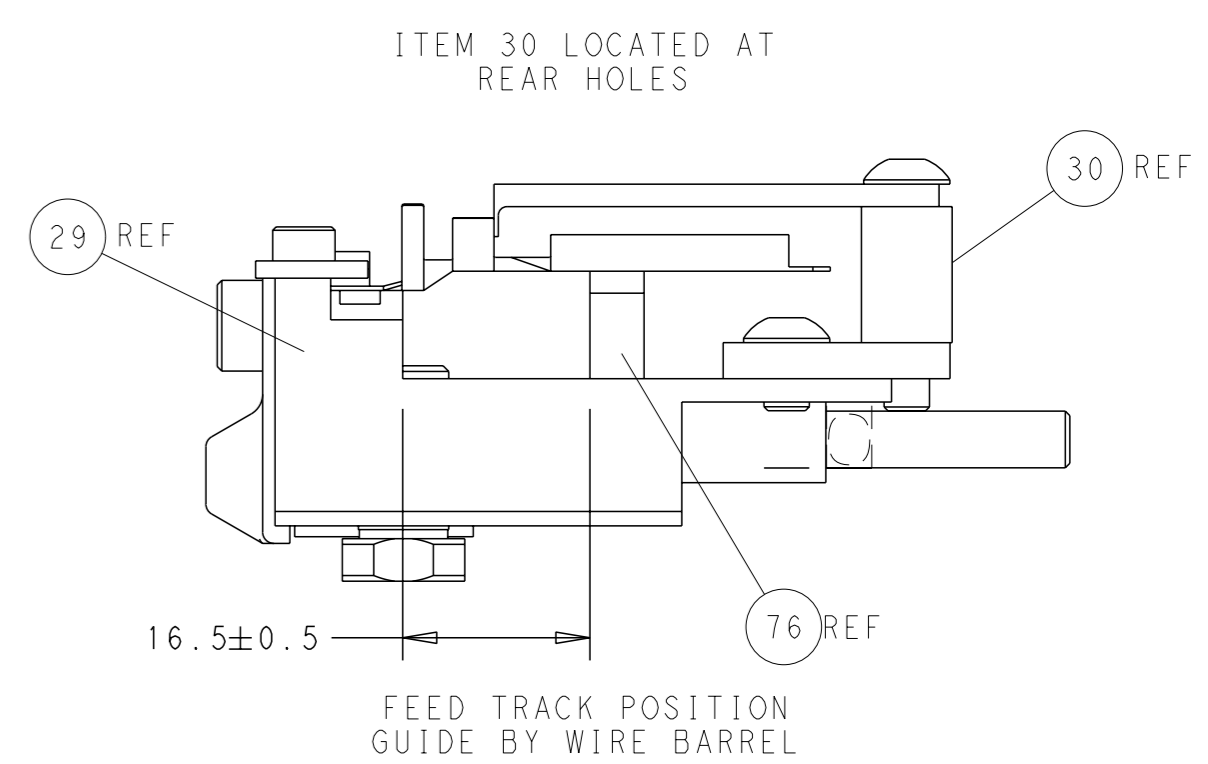
AIR FEED



SHEAR DEPRESSOR DETAIL



HOLDDOWN SET-UP



FEED TRACK POSITION GUIDE BY WIRE BARREL

PACIFIC VERSION
 Shown on sheets 3 of 4 & 4 of 4
 (Atlantic version shown on sheets 1 of 4 & 2 of 4)

<small>THIS DRAWING IS A CONTROLLED DOCUMENT FOR TYCO ELECTRONICS CORPORATION. IT IS SUBJECT TO CHANGE AND THE CONTROLLING ENGINEERING ORGANIZATION SHOULD BE CONTACTED FOR THE LATEST REVISION.</small>		OWN: R. KNEPPER 30 JUL 2012 CHK: G. BAILEY 30 JUL 2012 APVD: M. CLIFFORD 30 JUL 2012	NAME: TE Connectivity Harrisburg, PA 17105-3608
DIMENSIONS: mm TOLERANCES UNLESS OTHERWISE SPECIFIED: 0 PLC ± 1 PLC ± 2 PLC ± 3 PLC ± 4 PLC ± ANGLES FINISH ±	APPLICATION SPEC: - WEIGHT: - SCALE: 1:2	PRODUCT SPEC: - RESTRICTED TO: -	SIZE: A1 CAGE CODE: 00779 DRAWING NO: C=2151711 SHEET: 4 of 4 REV: F
Customer Accessible Production Drawing			