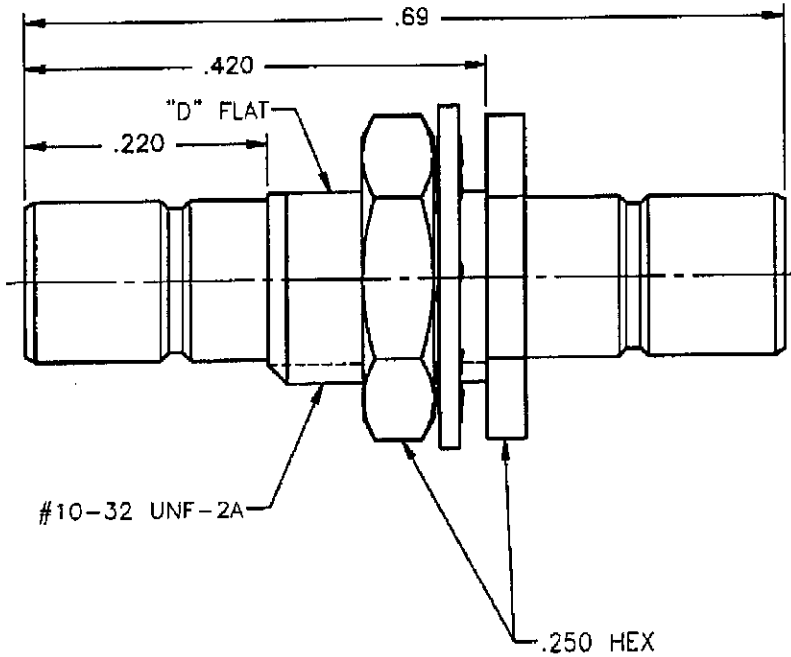


PROPRIETARY INFORMATION
 NOT TO BE RELEASED
 WITHOUT WRITTEN PERMISSION
 FROM AN AUTHORIZED
 REPRESENTATIVE OF
 APPLIED ENGINEERING PRODUCTS

REVISIONS			
REV.	DESCRIPTION	DATE	APPROVED
A	ECO #6792	08/10/07	K.P.




NOTES:

MATERIALS:

1. INSULATORS = VIRGIN WHITE TEFLON PER ASTM D1710, GRADE 1, TYPE I, CLASS "B".
2. LOCKWASHER = PHOSPHOR BRONZE PER ASTM B139 COPPER ALLOY C53400 TEMPER H04.
3. ALL OTHER METAL PARTS = BRASS PER ASTM B16 ALLOY C38000 TEMPER H02.

FINISHES:

1. CONTACT = GOLD PLATE PER MIL-G-45204, TYPE II, CLASS 1, GRADE C, OVER .00010 TO .00020 STRESS FREE SULFAMATE NICKEL PER QQ-N-290.
2. ALL OTHER METAL PARTS = GOLD PLATE PER MIL-G-45204, TYPE II, CLASS D, GRADE C, OVER .00010 TO .00020 COPPER STRIKE PER MIL-C-14550.

UNLESS OTHERWISE SPECIFIED DIMENSIONS ARE IN INCHES TOLERANCES ON		OWN: K.P.	DATE: 08/10/07	 APPLIED ENGINEERING PRODUCTS 104 John W. Murphy Dr. New Haven, CT 06513 SMB BULKHEAD MOUNT STRAIGHT JACK TO JACK ADAPTER
DECIMAL	ANGLE	CHKD: A.D.M.	DATE: 08/10/07	
		APVD: J.M.	DATE: 08/10/07	
REFERENCE:		MATERIALS & FINISHES: SEE NOTES		SIZE: A FSCM NO.: 19505 DWG NO.: 5222-1501-000 SCALE: 6:1
ORIGINATED: D.N. DATE: 06/16/83				REV: A THIRD ANGLE PROJECTION SHEET 1 OF 1

5222-1501-000