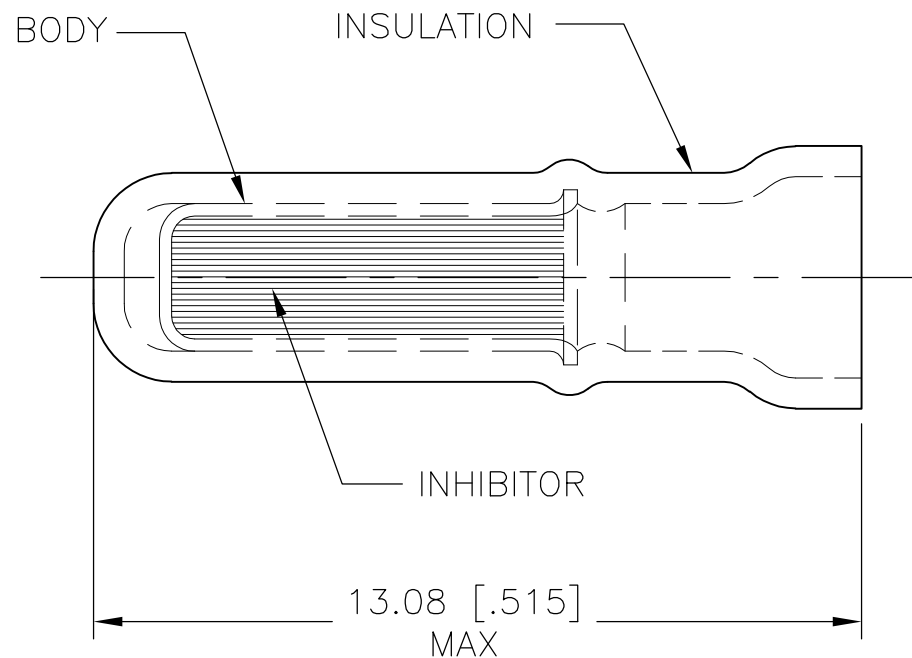



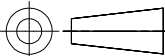
THIS DRAWING IS UNPUBLISHED. RELEASED FOR PUBLICATION
 © COPYRIGHT - By - ALL RIGHTS RESERVED.

REVISIONS				
P	LTR	DESCRIPTION	DATE	APVD
	L	REVISED PER ECO-15-015757	03NOV2016	RS DR

- 1 USE FOR AN UNSTRIPPED (SINGLE) WIRE END ONLY.
- 2 WIRE INSUL DIA 1.22-1.91 [.048-.075].



-	-	-
1000	LOOSE PIECE	324693
QTY	PACKAGE TYPE	PART NO

AMP INCORPORATED CUSTOMER SERVICE SYSTEM		MAX RECOMMENDED OPERATING TEMPERATURE: 105° C [221° F]	THIS DRAWING IS A CONTROLLED DOCUMENT.		DWN L OLMEDA 14FEB95	 TE Connectivity			
FOR ADDITIONAL PRODUCT INFORMATION OR COPIES OF DRAWINGS AND TECHNICAL DOCUMENTS	PRODUCT INFORMATION CENTER 1-800-522-6752	VOLTAGE RATING: -	DIMENSIONS: mm [INCHES]	TOLERANCES UNLESS OTHERWISE SPECIFIED:	CHK M ELLIS 14FEB95				NAME
FOR APPLICATION TOOLING INFORMATION	TOOLING ASSISTANCE CENTER 1-800-722-1111	CIRCULAR MIL AREA: -		0 PLC ± - 1 PLC ± RS 2 PLC ± 0.20 [.008] 3 PLC ± - 4 PLC ± - ANGLES ± -	APVD T MICHELUTTI 14FEB95	SPARE WIRE CAP, MOISTURE RESISTANT, TRANSPARENT			
FOR ORDER ENTRY	1-800-526-5142			MATERIAL BODY, CU PER ASTM B152 INSUL, NYLON, COLOR, TRANSPARENT	FINISH BODY, TIN PLATE PER ASTM B545	PRODUCT SPEC -	APPLICATION SPEC -	WEIGHT	RESTRICTED TO
					CUSTOMER DRAWING	SIZE A3	CAGE CODE 00779	DRAWING NO C-324693	SCALE 8:1
						SHEET 1 OF 1	REV L		