



## Plain Ball Bearing 8\*16\*5mm (Pair)

SKU: 87311 Weight: 10.00 Gram

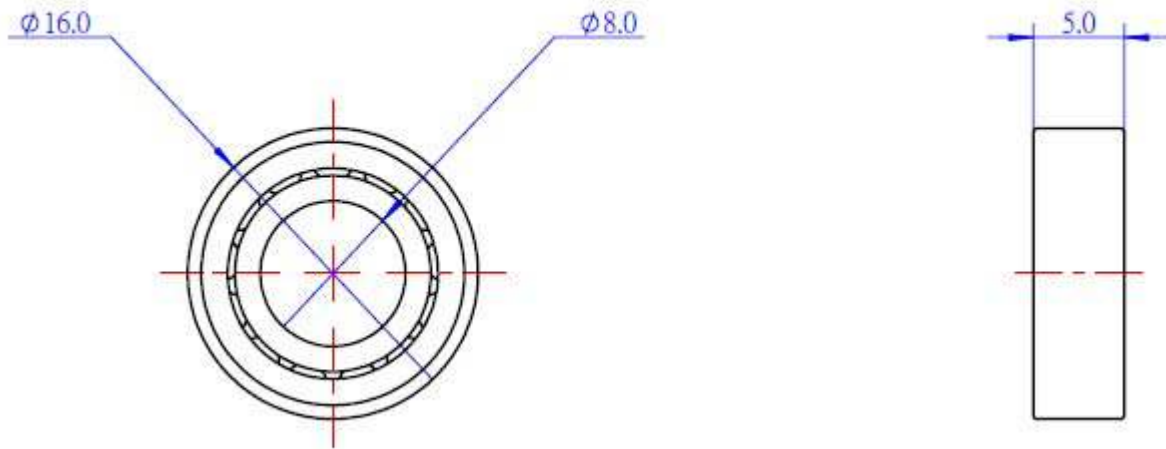
### **Description:**

Makeblock plain ball bearing 8\*16\*5mm can be used with Makeblock 8mm bearing bracket A to support heavy mechanisms.

### **Features:**

- ? Perfect for adding to 8mm shaft and 8mm bearing bracket A.
- ? Makes the rotating part virtually friction-free.
- ? Diameters: 8mm (inside), 16mm (outside).
- ? Sold in pack of 2.

**Size Charts(mm):**



**Demo:**

