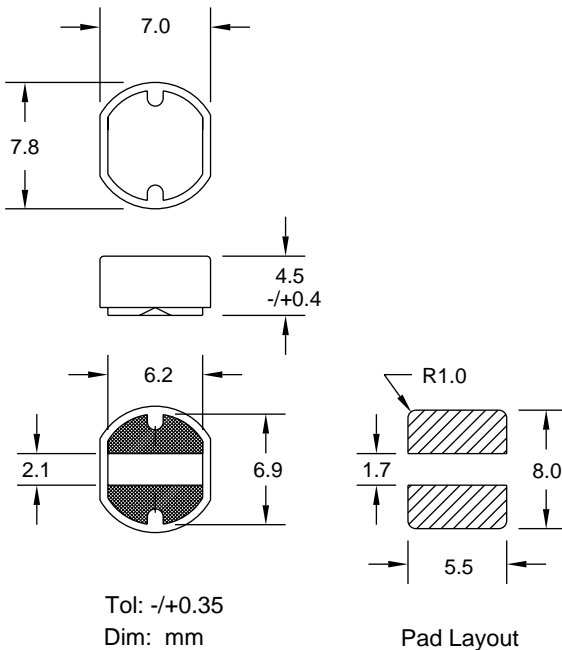


Shielded, SMT Power Inductors

Special Features

- Magnetic shielded for low radiation
- Ferrite bobbin core
- Low core loss for high frequency power application
- Compact size
- Large terminal surface for good PCB bonding
- Operating temperature -30 to +100°C
- Current to cause maximum 10% of inductance drop, or 40°C temperature rise
- Tape & reel packaged 1000/reel



| PM74S Series | | | | | |
|--------------|----------------------|------------|-------------------|-----------------|-----------|
| Part Number | L (uH) +25 / -15% | Test Freq. | SRF (MHz) Typ. | DCR (Ω) Max. | I, DC (A) |
| PM74S-100N | 10 | 2.52 MHz | 26 | 0.07 | 1.65 |
| PM74S-120N | 12 | 2.52 MHz | 25 | 0.07 | 1.57 |
| PM74S-150N | 15 | 2.52 MHz | 20 | 0.08 | 1.39 |
| PM74S-180N | 18 | 2.52 MHz | 19 | 0.10 | 1.29 |
| PM74S-220N | 22 | 2.52 MHz | 18 | 0.13 | 1.12 |
| PM74S-270N | 27 | 2.52 MHz | 16 | 0.16 | 1.06 |
| PM74S-330N | 33 | 2.52 MHz | 15 | 0.18 | 0.97 |
| PM74S-390N | 39 | 2.52 MHz | 14 | 0.18 | 0.91 |
| PM74S-470N | 47 | 2.52 MHz | 12 | 0.27 | 0.80 |
| PM74S-560N | 56 | 2.52 MHz | 12 | 0.29 | 0.76 |
| PM74S-680N | 68 | 2.52 MHz | 10 | 0.33 | 0.68 |
| PM74S-820N | 82 | 2.52 MHz | 9 | 0.43 | 0.62 |
| +20 / -15% | | | | | |
| PM74S-101M | 100 | 1 KHz | 8 | 0.49 | 0.55 |
| PM74S-121M | 120 | 1 KHz | 7 | 0.68 | 0.49 |
| PM74S-151M | 150 | 1 KHz | 6 | 0.94 | 0.44 |
| PM74S-181M | 180 | 1 KHz | 6 | 1.00 | 0.40 |
| PM74S-221M | 220 | 1 KHz | 5 | 1.18 | 0.36 |
| PM74S-271M | 270 | 1 KHz | 5 | 1.30 | 0.33 |