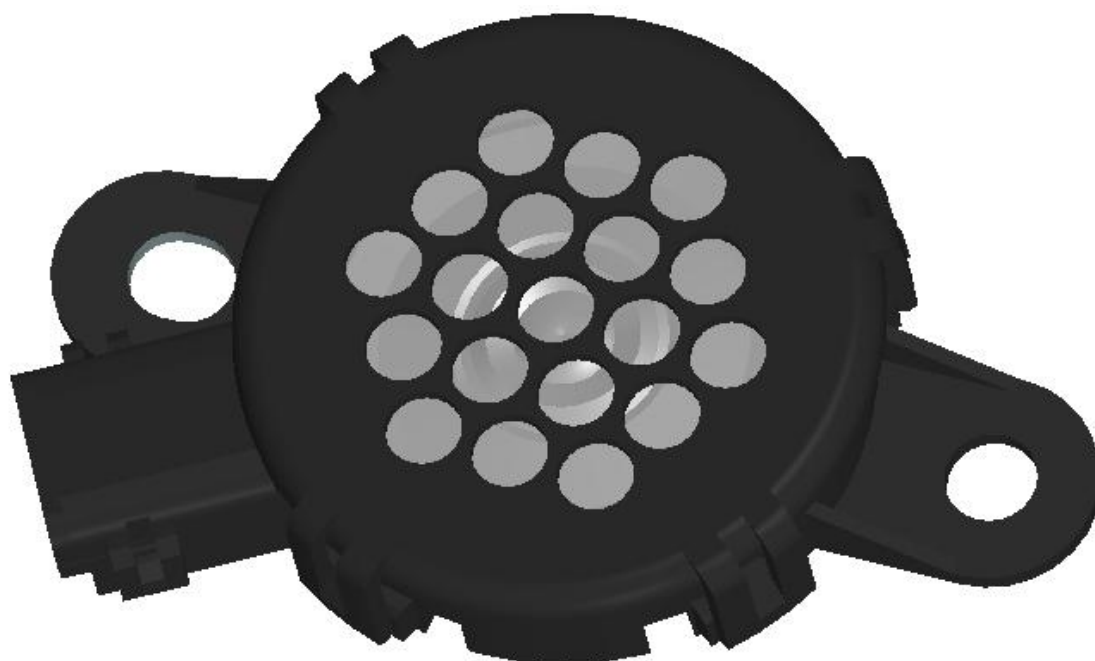
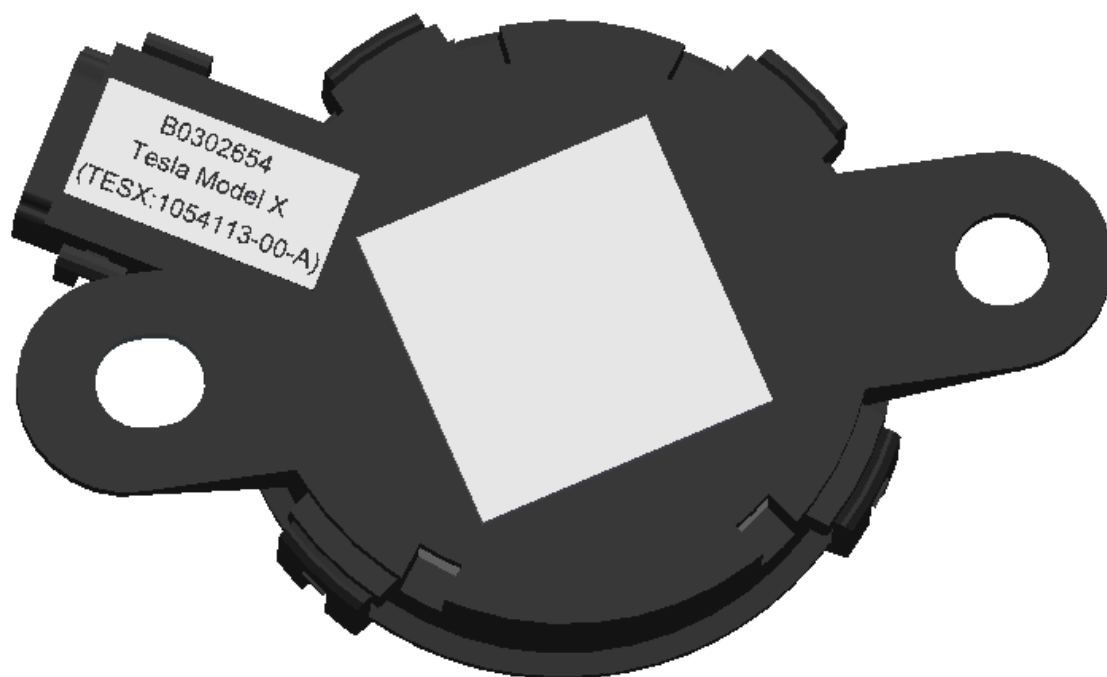


# SPECIFICATION

BDT4250LH13-02 LF





# SPECIFICATION FOR AUTOMOTIVE SPEAKER

TOTAL PAGE

09

[www.bestargroups.com](http://www.bestargroups.com)

RoHS

Customer		Model Name	BDT4250LH13-02 LF
Customer P/N		Product No.	132429
Date	07 Jul.2015	Issue No.	BS/TES01.1453B
Page	01 of 09	Issue Date	2015.07.07

## Approval:

- 1.Characteristics
- 2.Dimension
- 3.Bill of Material
- 4.Reliability Test
- 5.Packing
- 6.History Change Record

Drawn by	Checked by	Approved by	Customer approved
王冬琴	莫丽丽	徐金国	

## **BESTAR HOLDING CO.,LTD**

No.199 HuangHe West Road,New district,ChangZhou,JiangSu Province,P.R.China

Tel: +86 519 88222567 Fax: +86 519 88222551

E-mail:[wu@be-star.com](mailto:wu@be-star.com) <http://www.bestargroups.com>

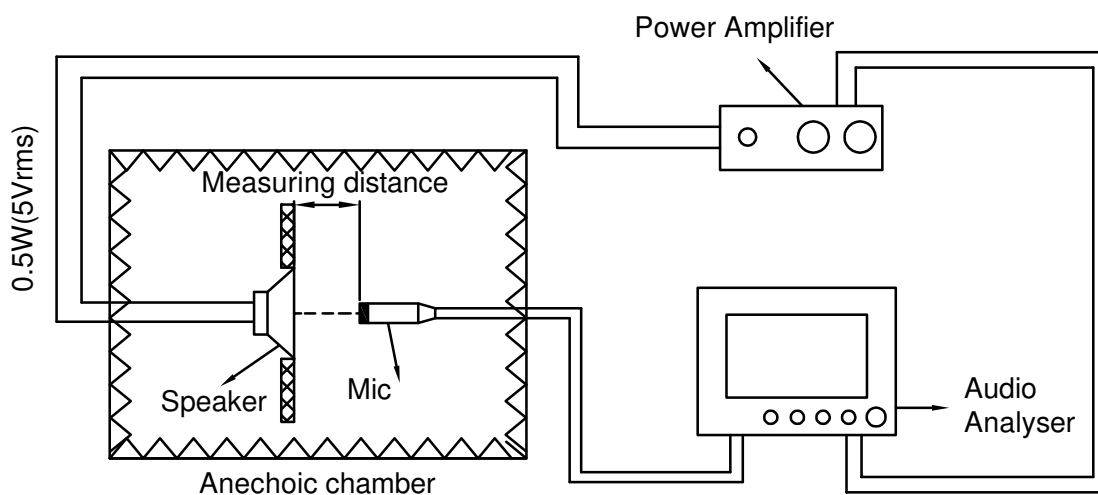
# BDT4250LH13-02 LF

## 1. Characteristic

### 1.1 Electrical and Mechanical Characteristics

1	Rated input	1W
2	Maximum input	1.5W
3	Resonance Frequency	540 ± 150Hz
4	Frequency Response	350...6000Hz
5	Impedance(at 1500Hz)	50ohm ± 15%
6	Output SPL	min79dB (12V DC power special circuit 30cm )
7	Buzzes & Rattles	must be normal at sine wave7.07V
8	Magnet	Nd-Fe-B
9	Diaphragm	PEI Film
10	Operation temperature	-40 ° C...+85° C
11	Storage temperature	-40 ° C...+85° C

### 1.2 Test Method( only for reference with sine wave)

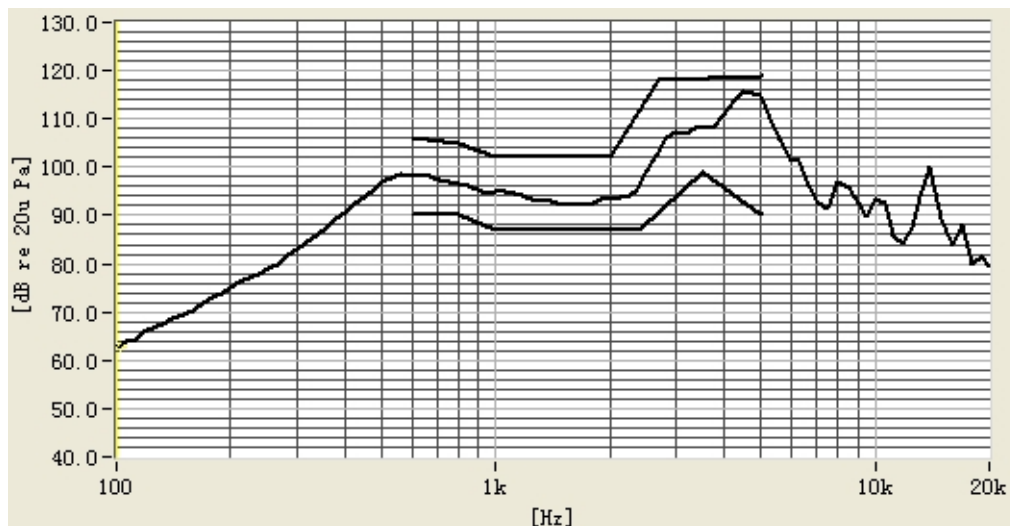


				Date:	2015.07.07	BDT4250LH13-02 LF
				Drawn by:	王冬琴	
B	2015.07.07	王冬琴		Checked by:	莫丽丽	Speaker
Rev.	Date	Drawn	Note	Approved by:	徐金国	
BESTAR HOLDING CO.,LTD						
www.bestargroups.com wu@be-star.com						DRG NO: BS/TES01.1453B
						Page:02 of 09

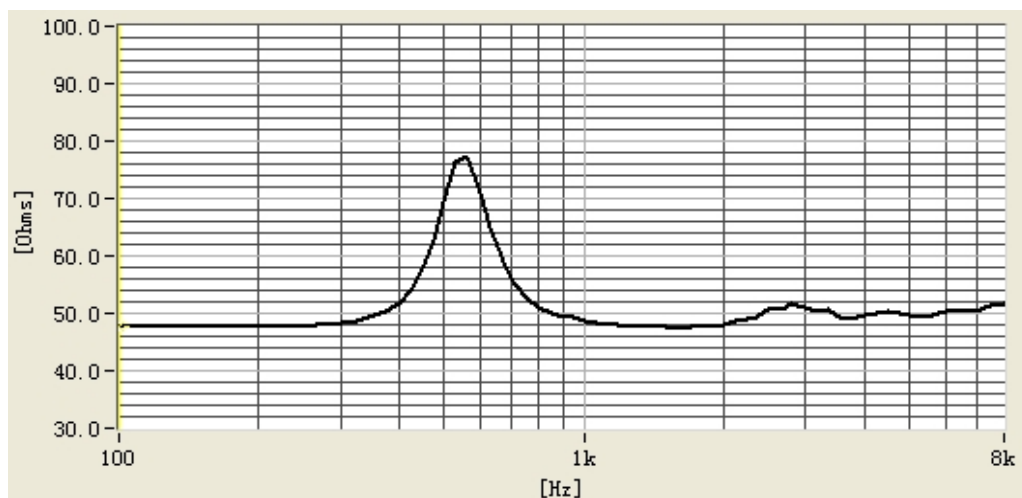
This print and information there in are proprietary to BeStar Holding Co., Ltd. and shall not be used in whole or in part without its written content

# BDT4250LH13-02 LF

1.3 Frequency response curve(Sine wave 0.5W,0.1m testing,only for reference)



1.4 Impedance curve(only for reference)

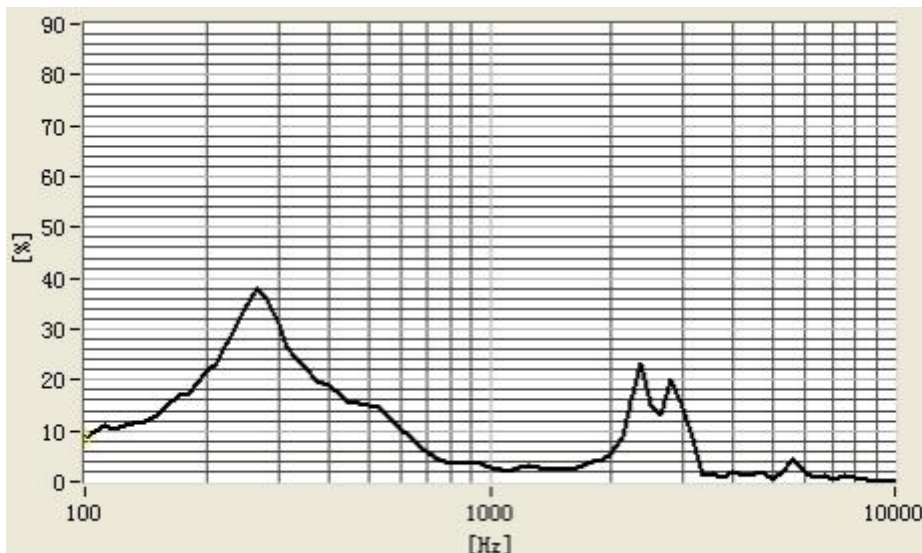


This print and information there in are proprietary to BeStar Holding Co., Ltd. and shall not be used in whole or in part without its written content

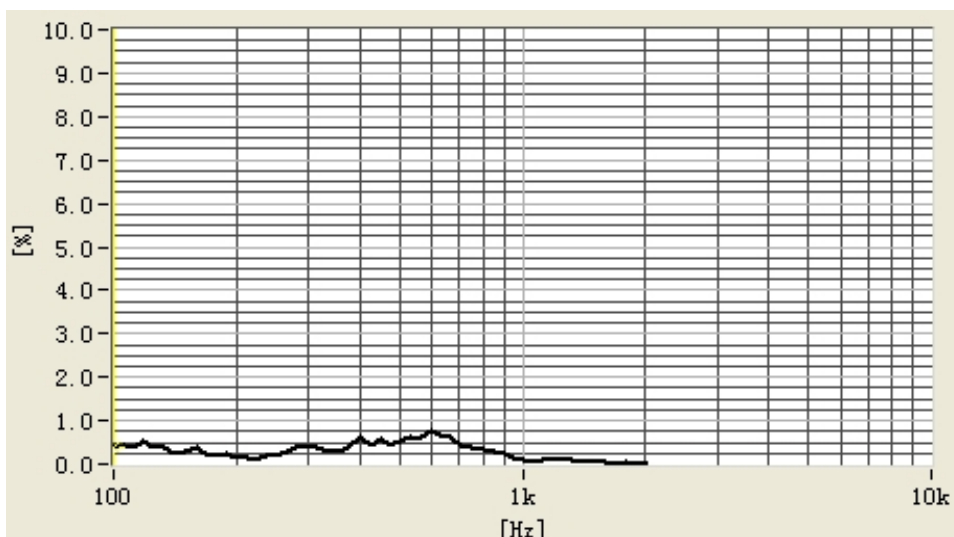
			Date:	2015.07.07	BDT4250LH13-02 LF	
			Drawn by:	王冬琴		
B	2015.07.07	王冬琴	Checked by:	莫丽丽	Speaker	
Rev.	Date	Drawn	Note	Approved by:		徐金国
BESTAR HOLDING CO.,LTD					DRG NO: BS/TES01.1453B	Page:03 of 09
www.bestargroups.com wu@be-star.com						

# BDT4250LH13-02 LF

1.5 THD(only for reference)



1.6 Rub&buzz(only for reference)

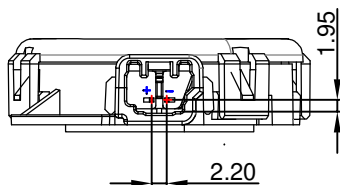
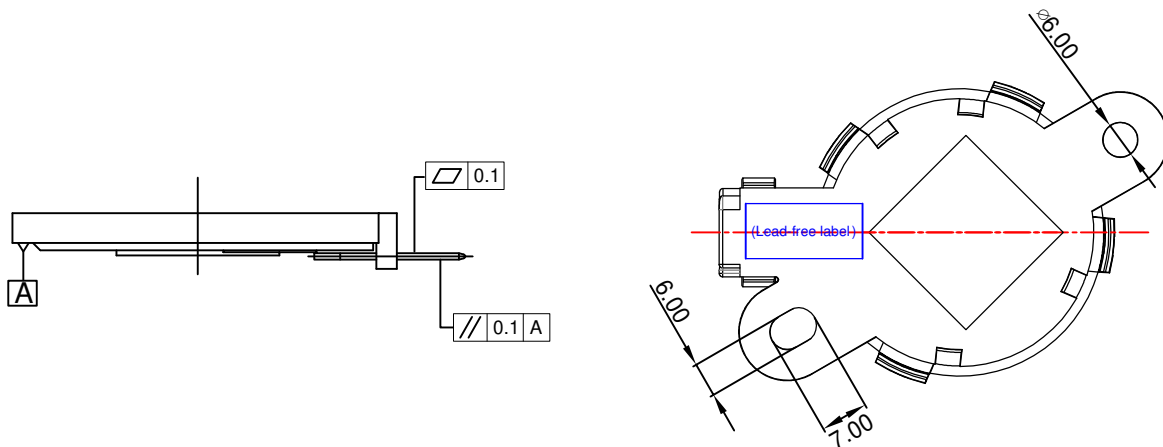


This print and information there in are proprietary to BeStar Holding Co., Ltd. and shall not be used in whole or in part without its written content

			Date:	2015.07.07	BDT4250LH13-02 LF	
			Drawn by:	王冬琴		
B	2015.07.07	王冬琴	Checked by:	莫丽丽	Speaker	
Rev.	Date	Drawn	Note	Approved by:		徐金国
BESTAR HOLDING CO.,LTD					DRG NO: BS/TES01.1453B	Page:04 of 09
www.bestargroups.com wu@be-star.com						

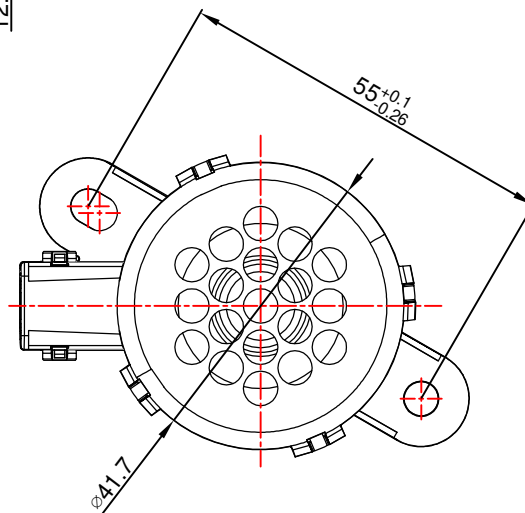
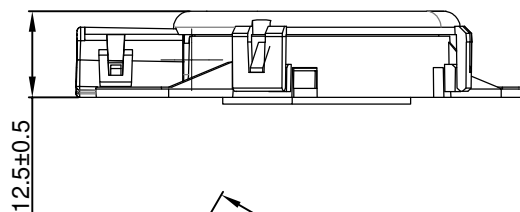
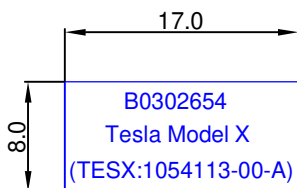
# BDT4250LH13-02 LF

## 2.Dimension



Plug specification is the same as Sumitomo 6098-6653

Lead-free label  
2:1



### TOLERANCE

.XX=±0.1

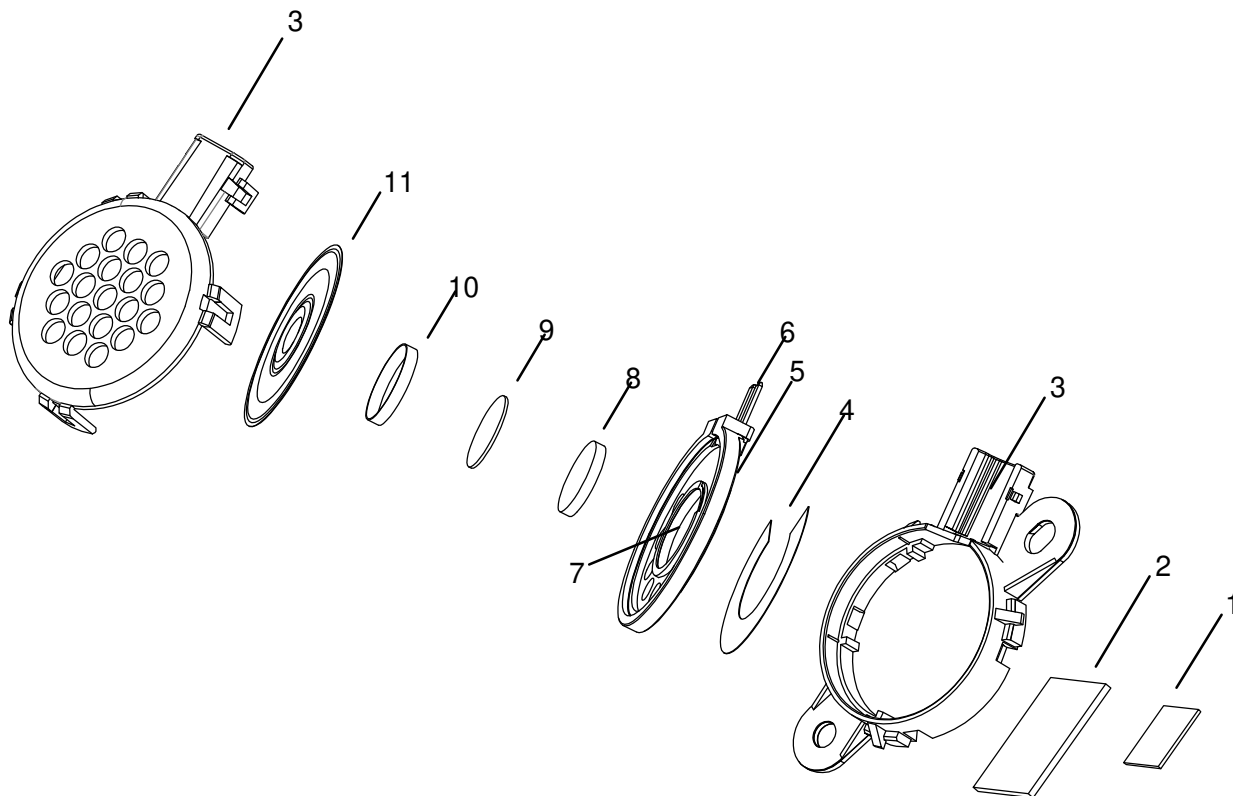
.X =±0.2

This print and information there in are proprietary to BeStar Holding Co., Ltd. and shall not be used in whole or in part without its written content

				Date:	2015.07.07	BDT4250LH13-02 LF
				Drawn by:	王冬琴	
B	2015.07.07	王冬琴		Checked by:	莫丽丽	Speaker
Rev.	Date	Drawn	Note	Approved by:	徐金国	
BESTAR HOLDING CO.,LTD						DRG NO: BS/TES01.1453B
www.bestargroups.com wu@be-star.com						Page:05 of 09

# BDT4250LH13-02 LF

## 3.Bill of Material



11	Diaphragm	PEI
10	Voice Coil	φ0.05 wire, Annealed Copper Alloy
9	Piece	SPCC
8	Magnet	NdFeB
7	Magnet bowl	SPCC
6	Pin	Brass H65
5	Frame	PBT
4	Mesh	SILK
3	Housing	PA66+70G 13L
2	Foam	Double-sided adhesive
1	Label	Lead-free label
No	Parts Name	Material

Date: 2015.07.07

Drawn by: 王冬琴

Checked by: 莫丽丽

Approved by: 徐金国

BDT4250LH13-02 LF

Speaker

BESTAR HOLDING CO.,LTD

[www.bestargroups.com](http://www.bestargroups.com) [wu@be-star.com](mailto:wu@be-star.com)

DRG NO: BS/TES01.1453B

Page:06 of 09

# BDT4250LH13-02 LF

## 4. Reliability test

- 4.1 Life Test/Load test/temperature cycling
- |                        |                         |
|------------------------|-------------------------|
| Lower temperature      | -40°C                   |
| upper temperature      | +85°C                   |
| Dwell time             | 30 Min each temperature |
| Duration of whole test | 240 h                   |
- dynamic operation with rated voltage
- 4.2 Heat Test
- |             |            |
|-------------|------------|
| Temperature | +85 ° C± 2 |
| Duration    | 96hrs      |
- 4.3 Cold Test
- |             |            |
|-------------|------------|
| Temperature | -40 ° C± 2 |
| Duration    | 96hrs      |
- 4.4 Moisture Test
- |             |            |
|-------------|------------|
| Temperature | +85 ° C± 2 |
| Humidity    | 85%RH      |
| Duration    | 56days     |
- Recovery conditions: Climatic condition standard atmospheric  
Ventilation time 1 h
- 4.5 Temperature shock
- |   |         |
|---|---------|
| Low temperature                               | -40 ° C |
| Upper temperature                             | +85 ° C |
| Dwell time each temperature                   | 30min.  |
| Transfer time from lower to upper temperature | < 10s   |
| Number of cycles                              | 100     |
- 4.6 Vibration Test
- |                      |                   |
|----------------------|-------------------|
| Range of frequency 1 | 10 to 55Hz        |
| Amplitude            | +/-0.75mm         |
| Range of frequency 2 | 55 to 2000Hz      |
| Amplitude            | 10g               |
| Frequency sweep      | 1 oct/min         |
| Duration             | 2h each of 3 axis |
- 4.7 Drop test
- Drop the speaker contained in normal box on to the board 20mm thick 10 times from the height of 1.2m

After each test of 4.2 to 4.3, speakers should be measured after 6hrs exposed in normal temperature.  
After each test, performance should be satisfied with spec.

This print and information there in are proprietary to BeStar Holding Co., Ltd. and shall not be used in whole or in part without its written content

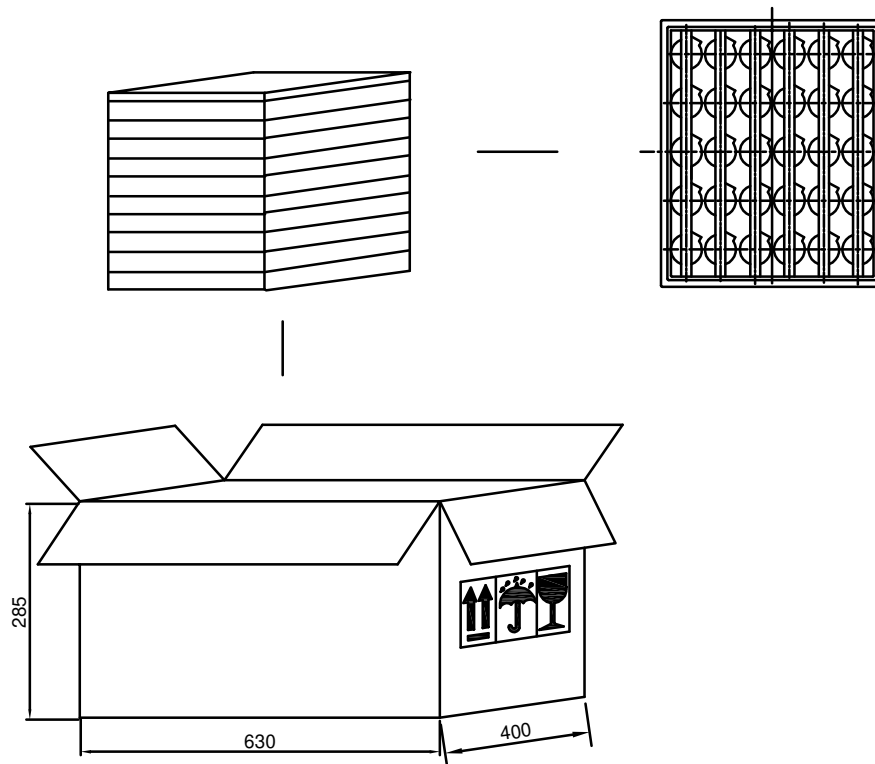
				Date:	2015.07.07	BDT4250LH13-02 LF	
				Drawn by:	王冬琴		
B	2015.07.07	王冬琴		Checked by:	莫丽丽	Speaker	
Rev.	Date	Drawn	Note	Approved by:	徐金国		
BESTAR HOLDING CO.,LTD						DRG NO: BS/TES01.1453B	Page:07 of 09
www.bestargroups.com wu@be-star.com							



# BDT4250LH13-02 LF

## 5. Packing

### 5.1 Packing Drawing



### 5.2 packing quantity

- 1) 30pcs per tray,
- 2) 20pcs tray per carton
- 3) 600pcs per carton,
- 4) carton size: 63X40X28.5cm

This print and information there in are proprietary to BeStar Holding Co., Ltd. and shall not be used in whole or in part without its written content

				Date:	2015.07.07	BDT4250LH13-02 LF	
				Drawn by:	王冬琴		
B	2015.07.07	王冬琴		Checked by:	莫丽丽	Speaker	
Rev.	Date	Drawn	Note	Approved by:	徐金国		
BESTAR HOLDING CO.,LTD						DRG NO: BS/TES01.1453B	Page:08 of 09
www.bestargroups.com wu@be-star.com							

