

THE INFORMATION CONTAINED HEREIN IS CONSIDERED "PROPRIETARY" TO BEL FUSE INC. AND SHALL NOT BE COPIED, REPRODUCED OR DISCLOSED WITHOUT THE WRITTEN APPROVAL OF BEL FUSE INC.

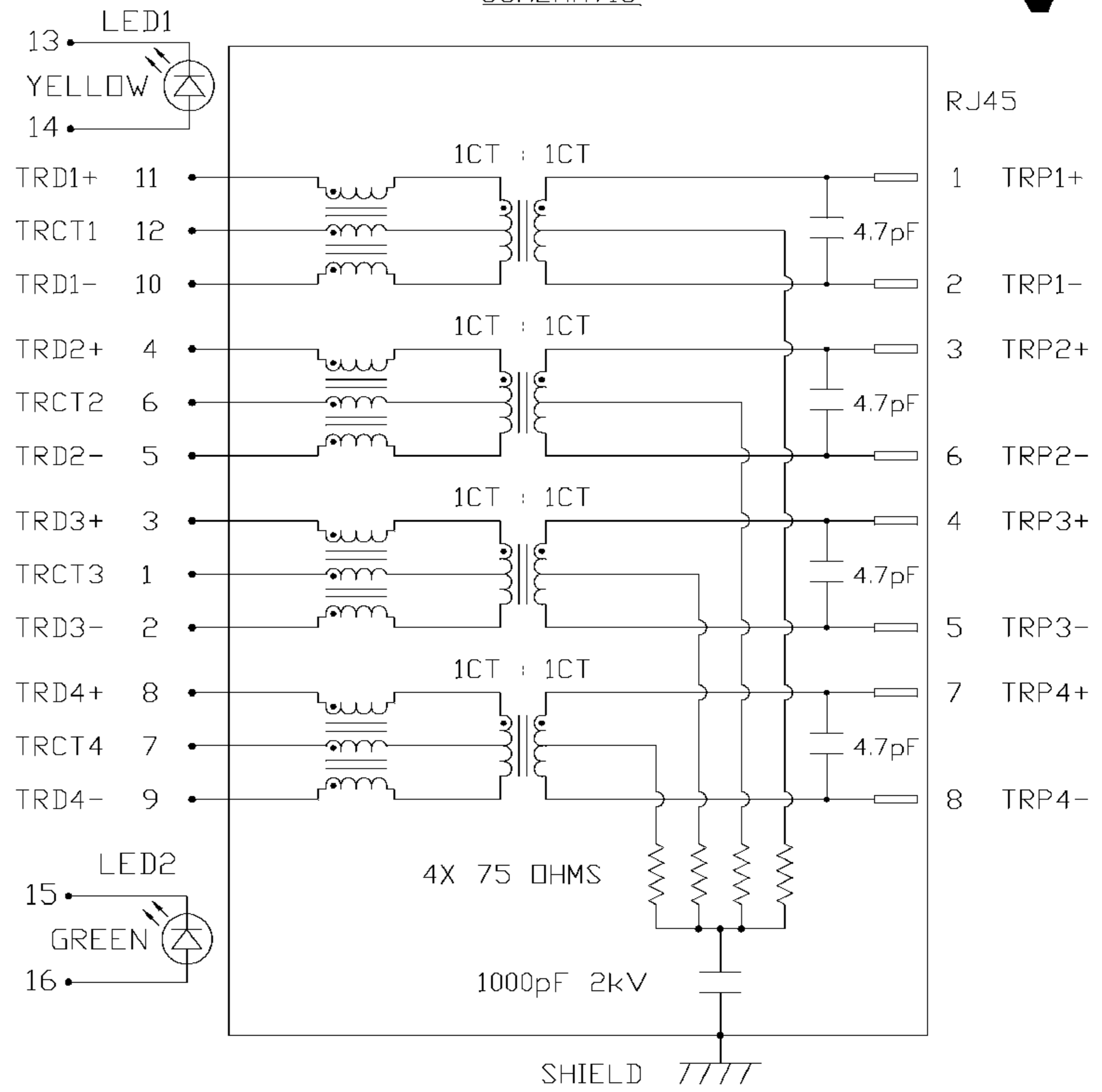
LED1 POLARITY			LED2 POLARITY		
PIN 13	PIN 14	COLOR	PIN 15	PIN 16	COLOR
-	+	YELLOW	-	+	GREEN

PRELIMINARY



ELECTRICAL CHARACTERISTICS @ 25°C

<p> TURNS RATIO TP1 1CT : 1CT ±2% TP2 1CT : 1CT ±2% TP3 1CT : 1CT ±2% TP4 1CT : 1CT ±2% QCL @ 100kHz/100mVRMS 8mA DC BIAS (0-70°C) 350µH MIN. INS. LOSS 0.1MHz TO 1MHz -1.1 dB MAX 1MHz TO 65MHz -0.5 dB MAX 65MHz TO 100MHz -0.8 dB MAX 100MHz TO 125MHz -1.2 dB MAX RET. LOSS (MIN) @ 100 OHMS +/-15% 0.5MHz-40MHz -18 dB 40MHz-100MHz -12+20LOG(f/80MHz) dB CM TO CM REJ 100kHz - 100MHz -30 dB MIN CM TO DM REJ 100kHz - 100MHz -35 dB MIN HIPOT (Isolation Voltage): 1500 Vrms 100% OF PRODUCTION TESTED TO COMPLY WITH IEEE 802.3 ISOLATION REQUIREMENTS LED 1 VF (FORWARD VOLTAGE) IF=20mA YELLOW 2.1V TYP. λD (DOMINANT WAVELENGTH) IF=20mA YELLOW 590nm TYP. LED 2 VF (FORWARD VOLTAGE) IF=20mA GREEN 2.2V TYP. λD (DOMINANT WAVELENGTH) IF=20mA GREEN 565nm TYP. </p>	
--	--

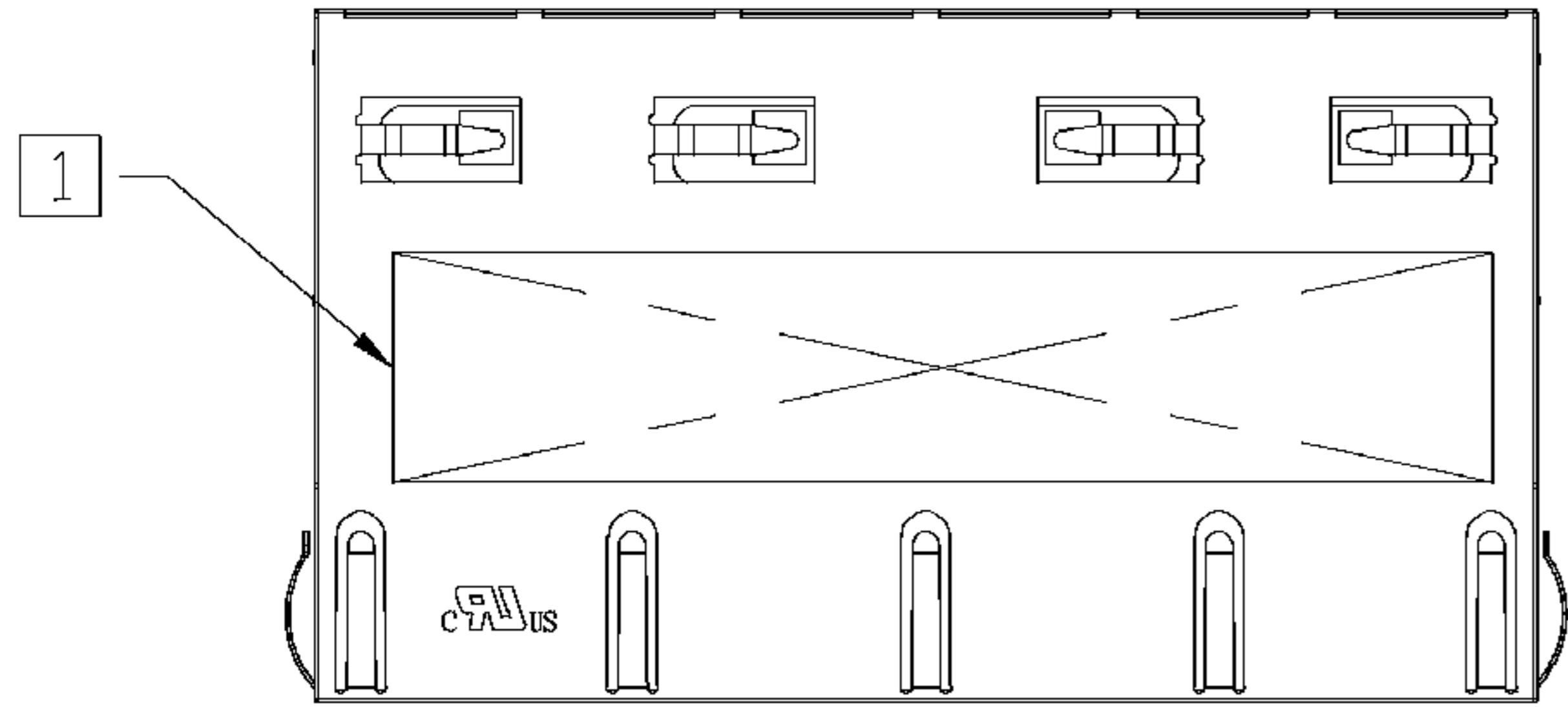


ORIGINATED BY WC CHOW	DATE 10-19-07	TITLE 1X4 gigabit MagJack® (NanoJack)	PART NO. / DRAWING NO. L898-1A4T-43	STANDARD DIM. TOL. IN INCH .X .XX .XXX	[] METRIC DIM. AS REFERENCE UNIT : INCH [mm] SCALE : N/A	REV. : PB SIZE : A4 PAGE : 2	
DRAWN BY WEIDE LEE	DATE 10-19-07		FILE NAME L898-1A4T-43_PB.DWG				
<p>DC002(2)032305</p> <p style="text-align: center;">This document is electronically generated. This is a controlled copy if used internally</p>							

THE INFORMATION CONTAINED HEREIN IS CONSIDERED "PROPRIETARY" TO BEL FUSE INC. AND SHALL NOT BE COPIED, REPRODUCED OR DISCLOSED WITHOUT THE WRITTEN APPROVAL OF BEL FUSE INC.

MECHANICAL SPECIFICATION

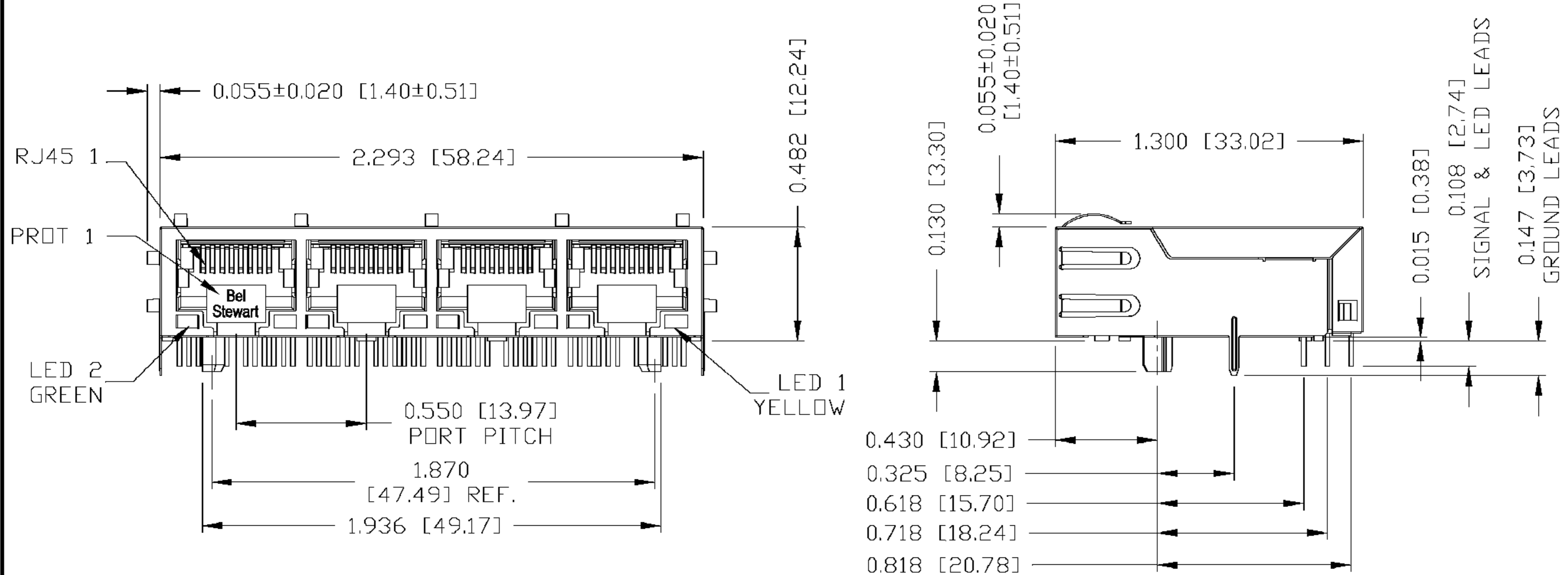
PRELIMINARY



NOTES:

PLASTIC HOUSING: THERMOPLASTIC PA46
 FLAMMABILITY RATING UL 94V-0
 CONTACT PLATING: 50 MICRO-INCH HARD GOLD PLATING
 OUTPUT PINS: TIN-COATED COPPER WIRE, DIA 0.018 INCH.
 METAL SHIELD: PRE-PLATED NICKEL ON COPPER ALLOY.
 (ALL GROUND LEADS ARE SOLDER DIPPED)

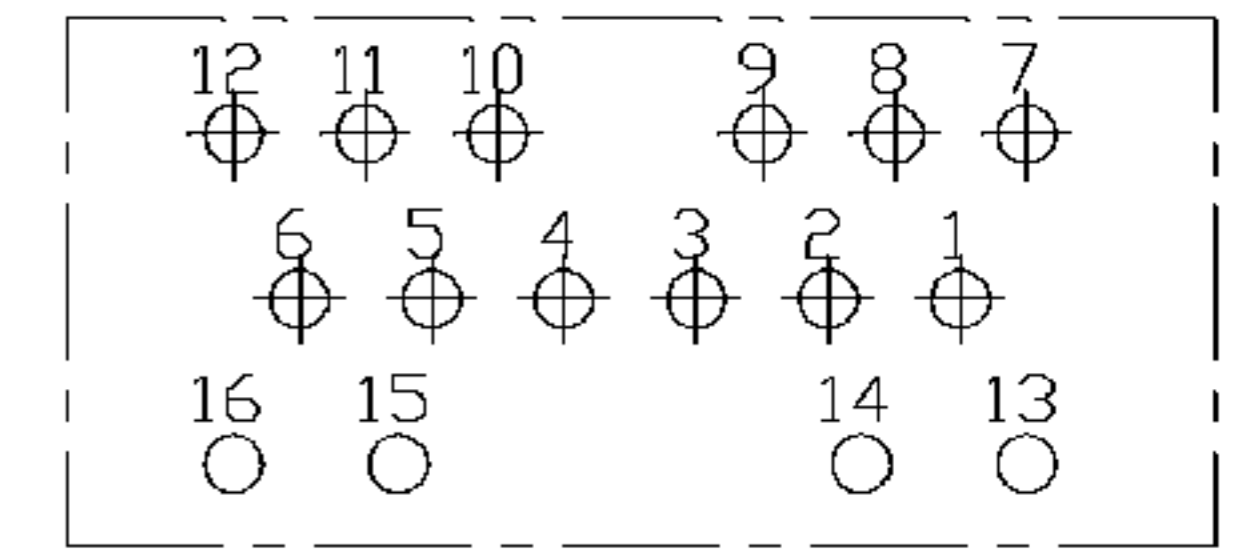
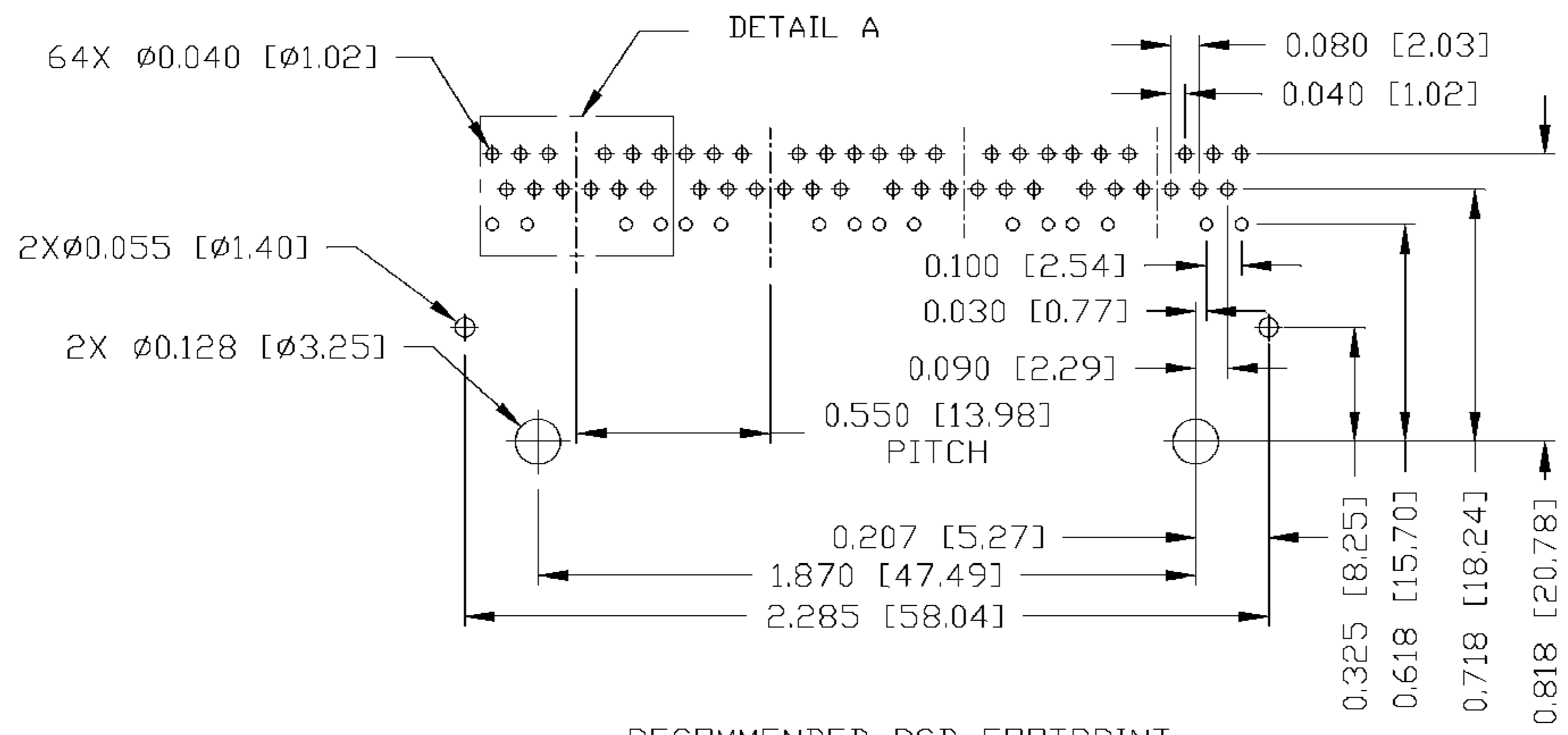
1. MARK PART WITH MFG LOGO, MFG NAME, PART NUMBER, AND DATE CODE.
 2. RoHS COMPLIANCE, PER EU DIRECTIVE 2002/95/EC
 3. JACK CAVITY CONFORMS TO FCC RULES AND REGULATIONS.
- c US UL RECOGNIZED - FILE #E196366 AND E169987.



ORIGINATED BY BILL CHEN	DATE 10-19-07	TITLE 1X4 gigabit MagJack® (NanoJack)	PART NO. / DRAWING NO. L898-1A4T-43	STANDARD DIM. TOL. IN INCH	[] METRIC DIM. AS REFERENCE	 COMPONENTS FOR A CONNECTED PLANET
DRAWN BY ANTON LIAO	DATE 10-19-07		FILE NAME L898-1A4T-43_PB.DWG	.X	UNIT : INCH [mm]	
				.XX	SCALE : N/A	
				.XXX ±0.010	SIZE : A4	
					PAGE : 3	

THE INFORMATION CONTAINED HEREIN IS CONSIDERED "PROPRIETARY" TO BEL FUSE INC. AND SHALL NOT BE COPIED, REPRODUCED OR DISCLOSED WITHOUT THE WRITTEN APPROVAL OF BEL FUSE INC.

PRELIMINARY



DETAIL A
PIN-OUT INFORMATION
(COMPONENT SIDE VIEW)

16	GREEN(+)
15	GREEN(-)
14	YELLOW(+)
13	YELLOW(-)
12	TRCT1
11	TRD 1+
10	TRD 1-
9	TRD 4-
8	TRD 4+
7	TRCT4
6	TRCT2
5	TRD 2-
4	TRD 2+
3	TRD 3+
2	TRD 3-
1	TRCT3

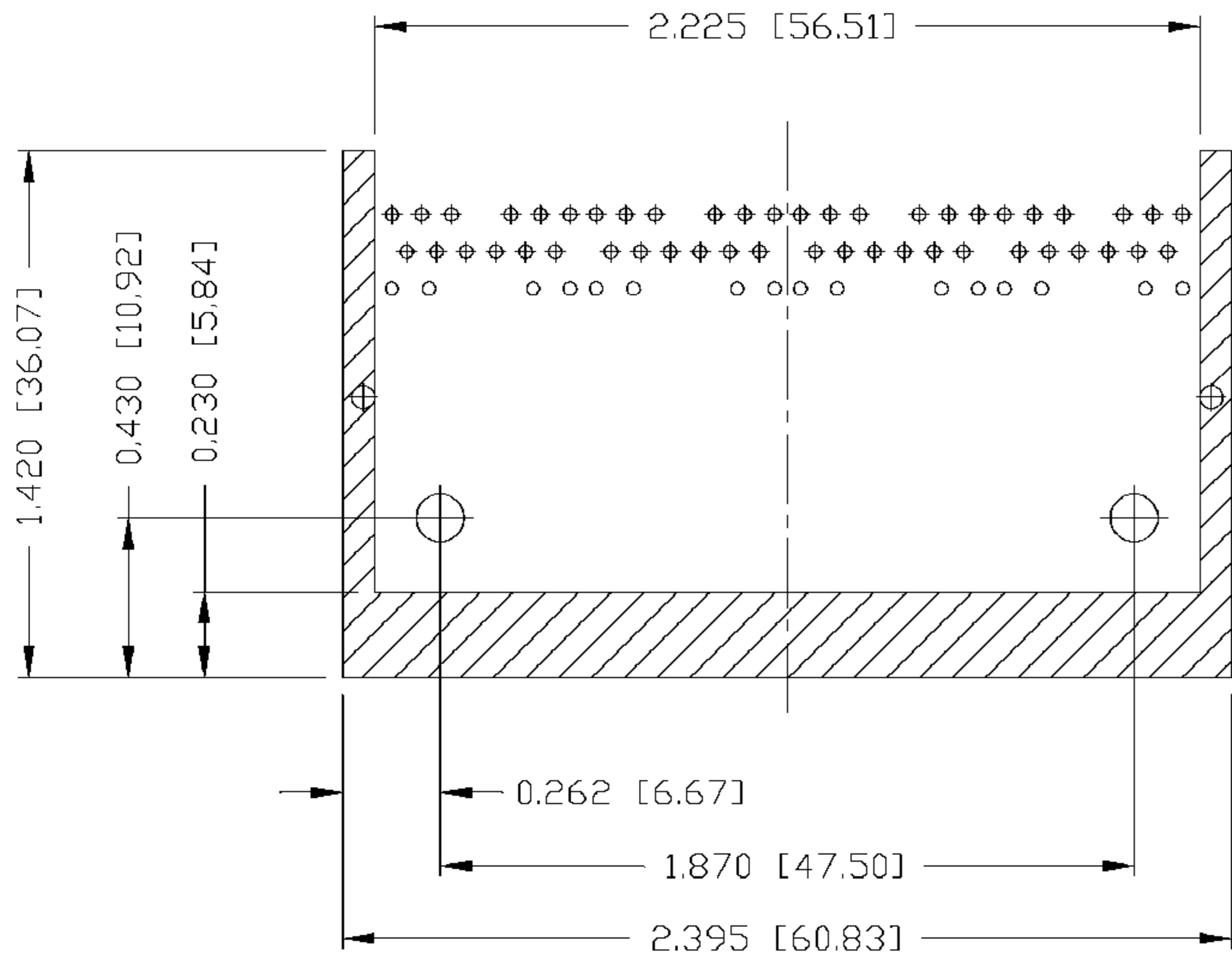
RECOMMENDED PCB FOOTPRINT
COMPONENT SIDE VIEW

ORIGINATED BY BILL CHEN	DATE 10-19-07	TITLE 1X4 gigabit MagJack® (NanoJack)	PART NO. / DRAWING NO. L898-1A4T-43	STANDARD DIM. TOL. IN INCH	[] METRIC DIM. AS REFERENCE	
DRAWN BY ANTON LIAO	DATE 10-19-07		FILE NAME L898-1A4T-43_PB.DWG	.X .XX .XXX	±0.004	UNIT : INCH [mm]
					SCALE : N/A	SIZE : A4
					⊕	PAGE : 4

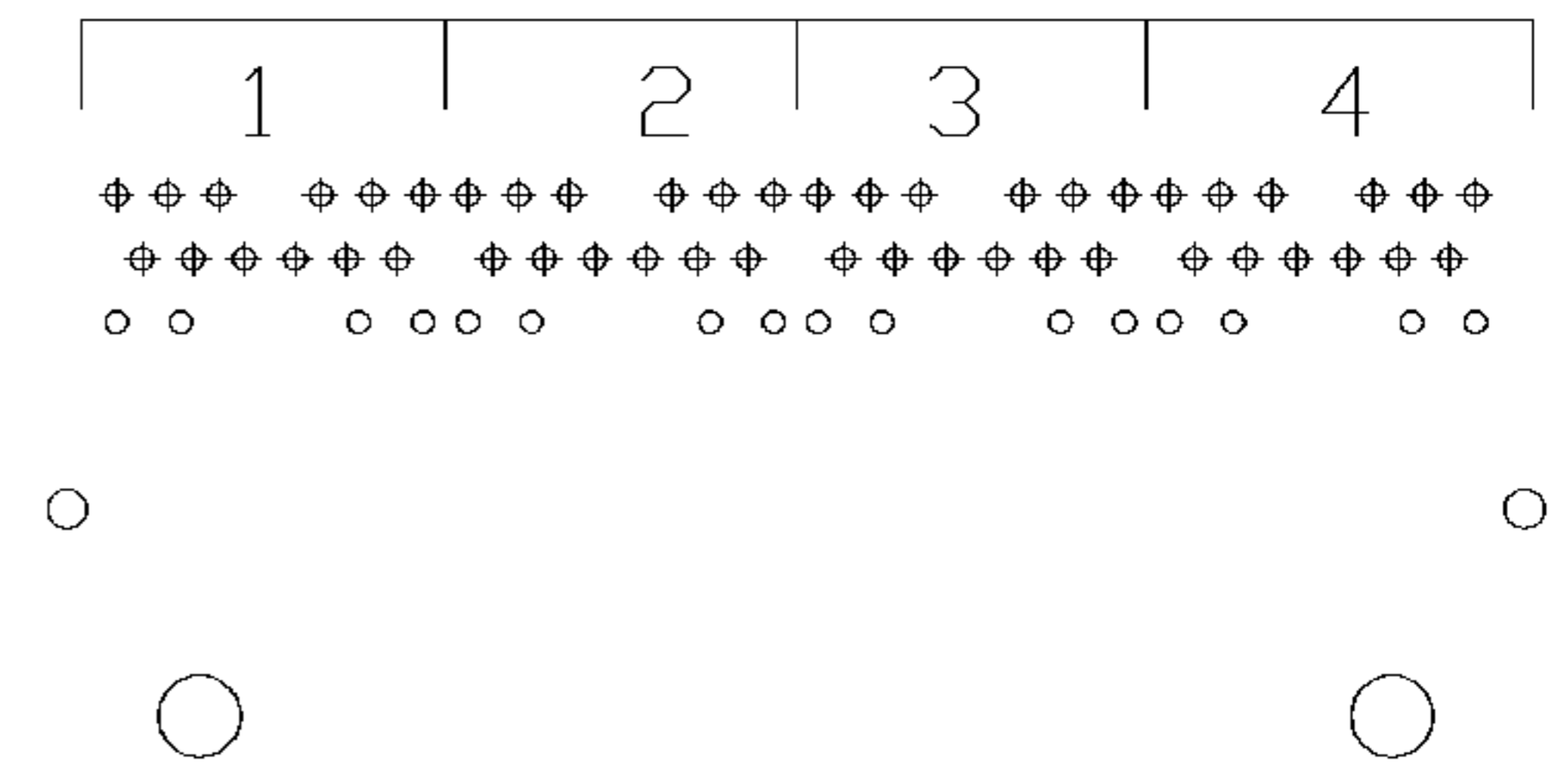


THE INFORMATION CONTAINED HEREIN IS CONSIDERED "PROPRIETARY" TO BEL FUSE INC. AND SHALL NOT BE COPIED, REPRODUCED OR DISCLOSED WITHOUT THE WRITTEN APPROVAL OF BEL FUSE INC.

PRELIMINARY



PIN AND PORT ASSIGNMENT
(COMPONENT SIDE VIEW)



NOTES:

THE SHADED AREA ON THE CUSTOMER BOARD ARE RECOMMENDED TO BE CLEAR OFF ANY VIA HOLE OR COMPONENT PAD.

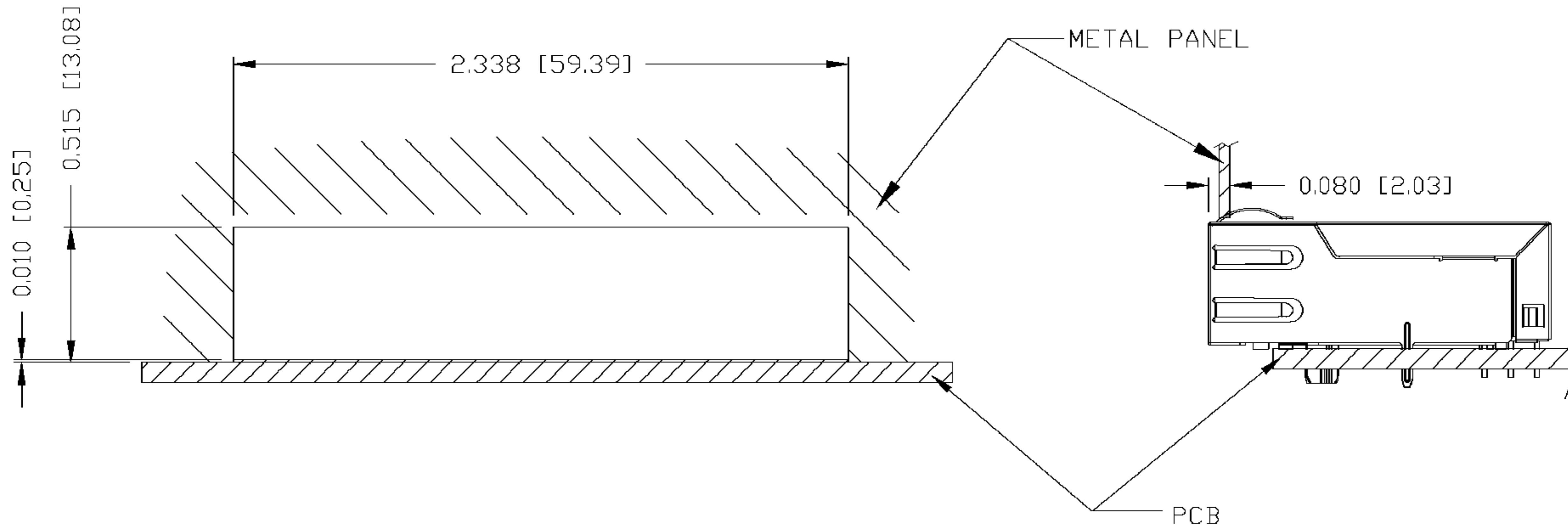
ORIGINATED BY BILL CHEN	DATE 10-19-07	TITLE 1X4 gigabit MagJack® (NanoJack)	PART NO. / DRAWING NO. L898-1A4T-43	STANDARD DIM. TOL. IN INCH	[] METRIC DIM. AS REFERENCE		 COMPONENTS FOR A CONNECTED PLANET
DRAWN BY ANTON LIAO	DATE 10-19-07		FILE NAME L898-1A4T-43_PB.DWG	.X	UNIT : INCH [mm]	REV. : PB	
			.XX	SCALE : N/A	SIZE : A4		
			.XXX ±0.004		PAGE : 5		

THE INFORMATION CONTAINED HEREIN IS CONSIDERED "PROPRIETARY" TO BEL FUSE INC. AND SHALL NOT BE COPIED, REPRODUCED OR DISCLOSED WITHOUT THE WRITTEN APPROVAL OF BEL FUSE INC.

PRELIMINARY



SUGGESTED PANEL OPENING



NOTES:

THE DISTANCE OF PANEL INSIDE SURFACE RELATIVE TO FRONT SURFACE OF PART IS ONLY A SUGGESTION. IN CASE THIS DISTANCE IS DIFFERENT, THE REQUIRED PANEL OPENING DIMENSIONS CHANGE ACCORDINGLY.

PACKING INFORMATION

PACKING TRAY: 0200M9999-C4 (TOP)
0200M9999-C5 (BOTTOM)

PACKING QUANTITY: 20 PCS FINISHED GOODS PER TRAY
11 TRAYS (220 PCS FINISHED GOODS) PER CARTON BOX

NOTE: CARDBOARDS ARE PLACED BETWEEN LAYERS OF PACKING TRAY INSIDE CARTON BOX
(INCLUDE THE UPPERMOST AND LOWERMOST TRAY)

ORIGINATED BY BILL CHEN	DATE 10-19-07	TITLE 1X4 gigabit MagJack® (NanoJack)	PART NO. / DRAWING NO. L898-1A4T-43		STANDARD DIM. TOL. IN INCH		[] METRIC DIM. AS REFERENCE	
			FILE NAME L898-1A4T-43_PB.DWG		.X		UNIT : INCH [mm]	REV. : PB
DRAWN BY ANTON LIAD	DATE 10-19-07				.XX		SCALE : N/A	SIZE : A4
					.XXX	±0.004		PAGE : 6

