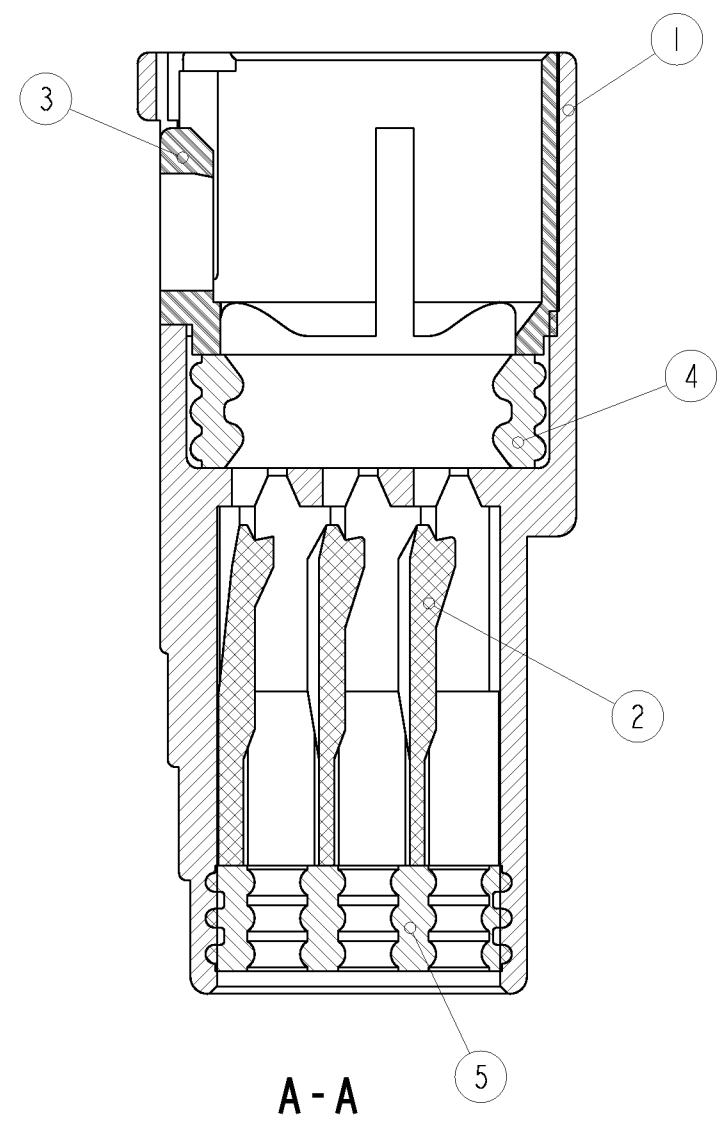
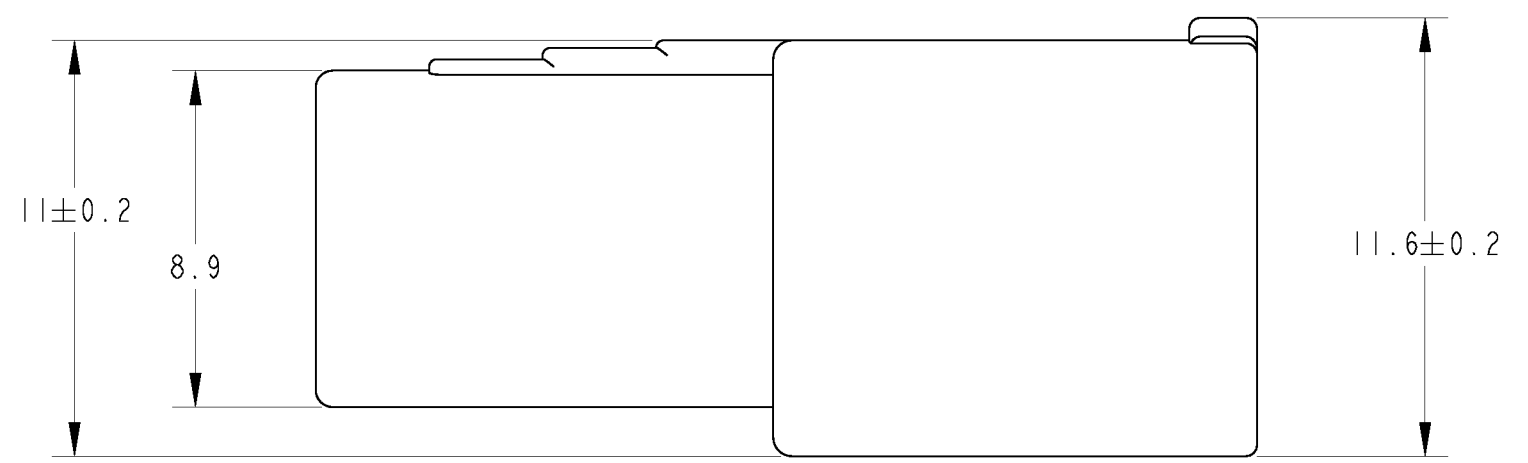
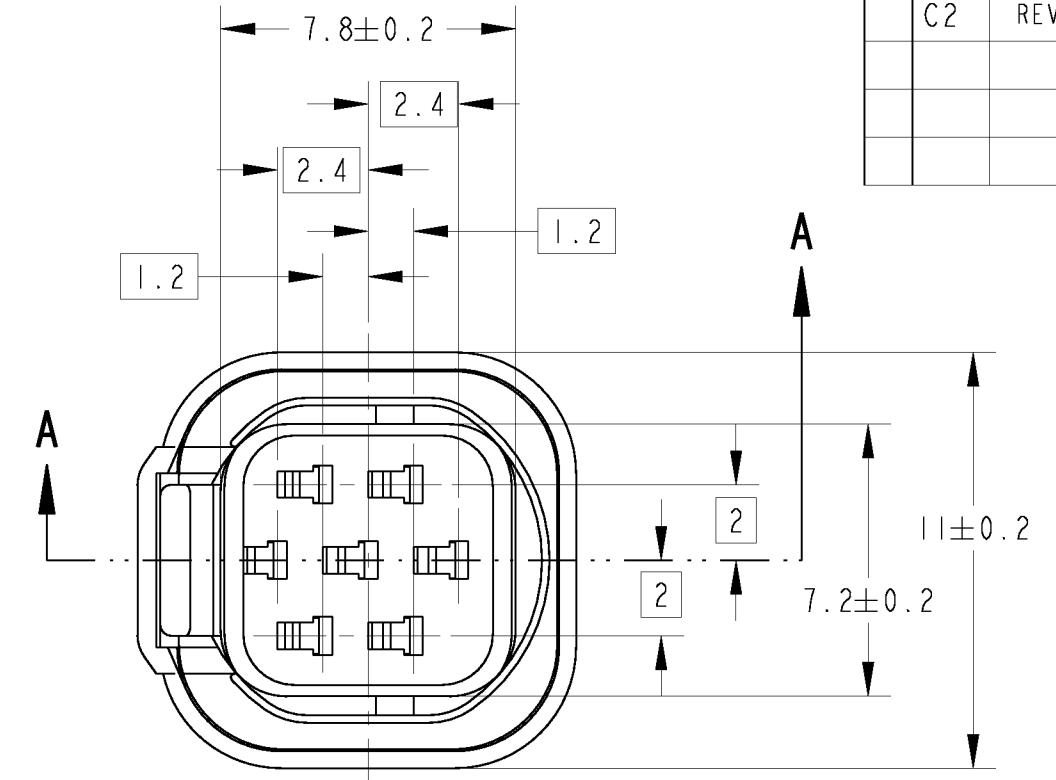
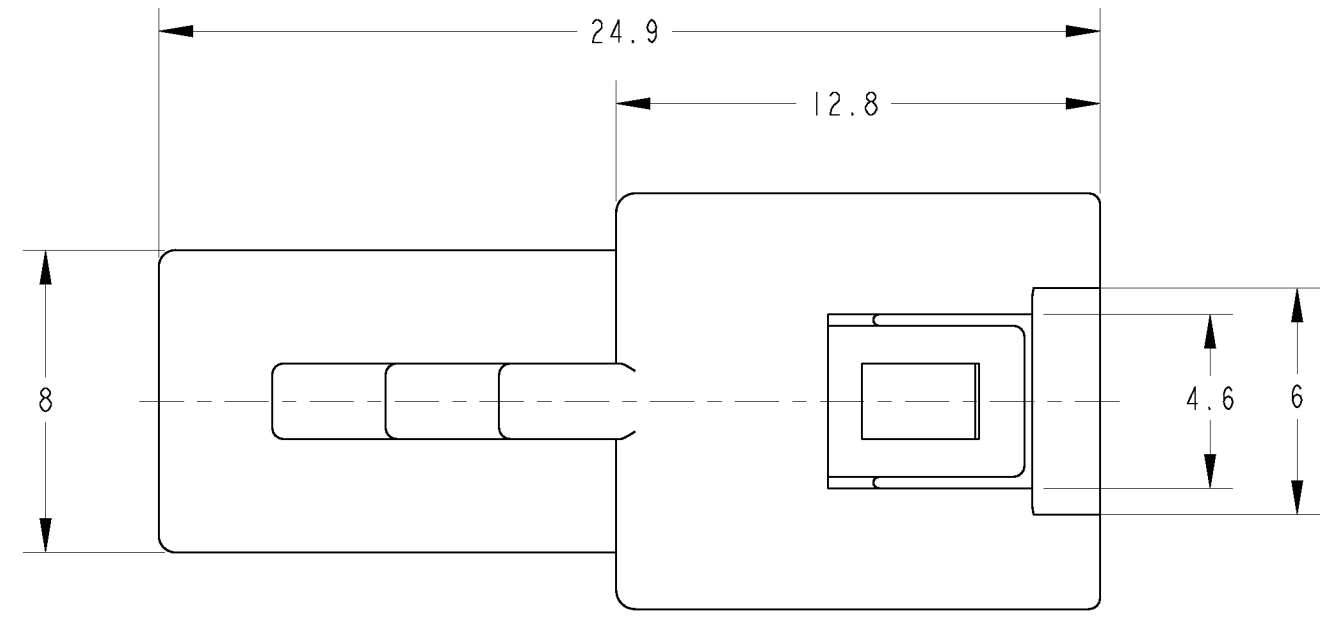
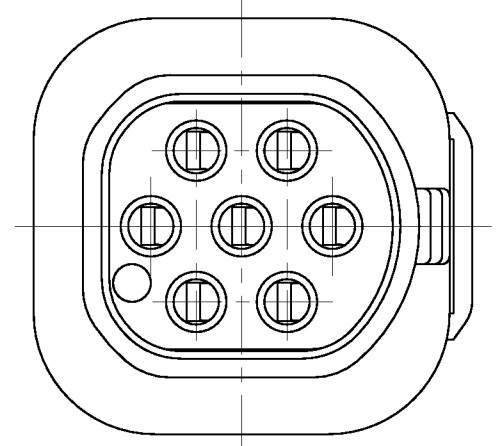


THIS DRAWING IS UNPUBLISHED. RELEASED FOR PUBLICATION 20
 © COPYRIGHT 20 ALL RIGHTS RESERVED.

LOC		DIST		REVISIONS			
P	LTR	DESCRIPTION	DATE	DWN	APVD		
J	-	C2	REVISED PER ECO-11-005140	02APR2011	RK	HMR	



- 1. THE MATING PLUG HSG P/N 917318
 - 2. APPLIED CONTACT P/N 917309
 - 3. APPLICABLE PRODUCT SPEC. No. 108-5426
 - 4. INSTRUCTION SHEET: 412-5653
- 1. 嵌合相手ハウジング型番: 917318
 - 2. 内装するタブコンタクト型番: 917309
 - 3. 適用製品規格番号: 108-5426-1
 - 4. 取扱説明書: 412-5653-1

-	-	-	-	-	7POSITION CAP HOUSING (YELLOW)	1
-	-	-	-	-	7POSITION CAP HOUSING (GRAY)	1
-	-	-	-	-	7POSITION CAP HOUSING (BLACK)	1
-	-	-	-	-	7POSITION CAP HOUSING (NATURAL)	1
-	-	-	-	-	SEAL RUBBER (LIGHT GRAY)	5
-	-	-	-	-	SEAL RING (LIGHT GRAY)	4
-	-	-	-	-	SEAL RING HOLDER (GREEN)	3
-	-	-	-	-	7POSITION HOUSING LANCE (GREEN)	2
-	-	-	-	-	7POSITION CAP HOUSING (GREEN)	1
917319-8	917319-7	917319-6	917319-5	917319-4	NAME & COLOR	ITEM NO.

TOLERANCE UNLESS OTHERWISE SPECIFIED:	
10±	±0.2
30±	>10 ±0.25
100±	>30 ±0.3
ANGLE	±0.3°

DIMENSIONS:		TOLERANCES UNLESS OTHERWISE SPECIFIED:	
単位:	mm	一般公差	PLC
0 PLC	±	1 PLC	±0.1
2 PLC	±0.01	3 PLC	±0.001
4 PLC	±0.0001	ANGLES	±1°00'
FINISH		SEE TABLE	

THIS DRAWING IS A CONTROLLED DOCUMENT.

DWN: T. SHINOHARA 19JAN06
 CHK: K. BETSUI 19JAN06
 APVD: K. BETSUI 19JAN06

PRODUCT SPEC: 108-5426
 APPLICATION SPEC: 取付適用規格

STE TE Connectivity

7 POSITION CAP HOUSING
 MINI MULTILOCK CONNECTOR

SIZE: A2 CAGE CODE: 00779 DRAWING NO: 917319 RESTRICTED TO: -

CUSTOMER DRAWING SCALE: 5:1 SHEET: 1 OF 1 REV: C2