

4

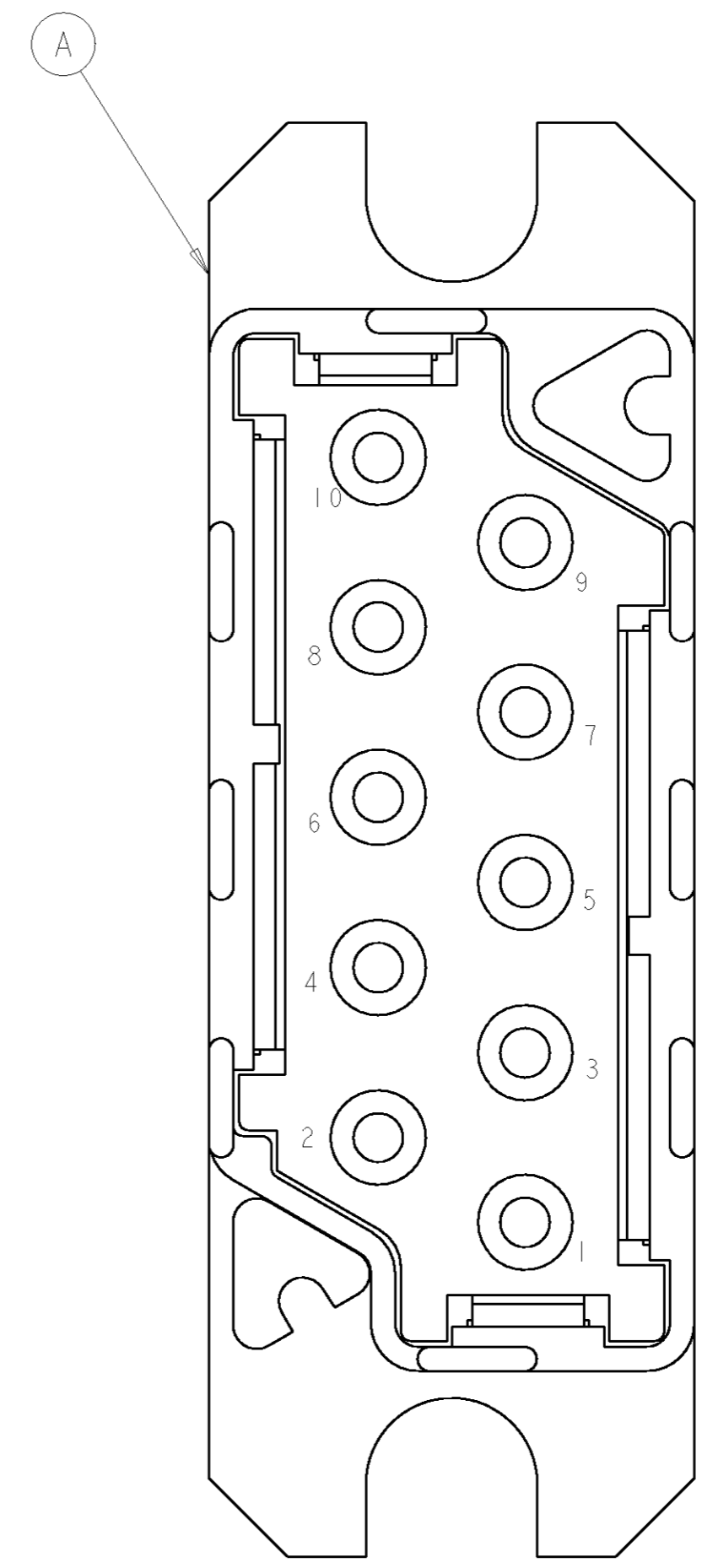
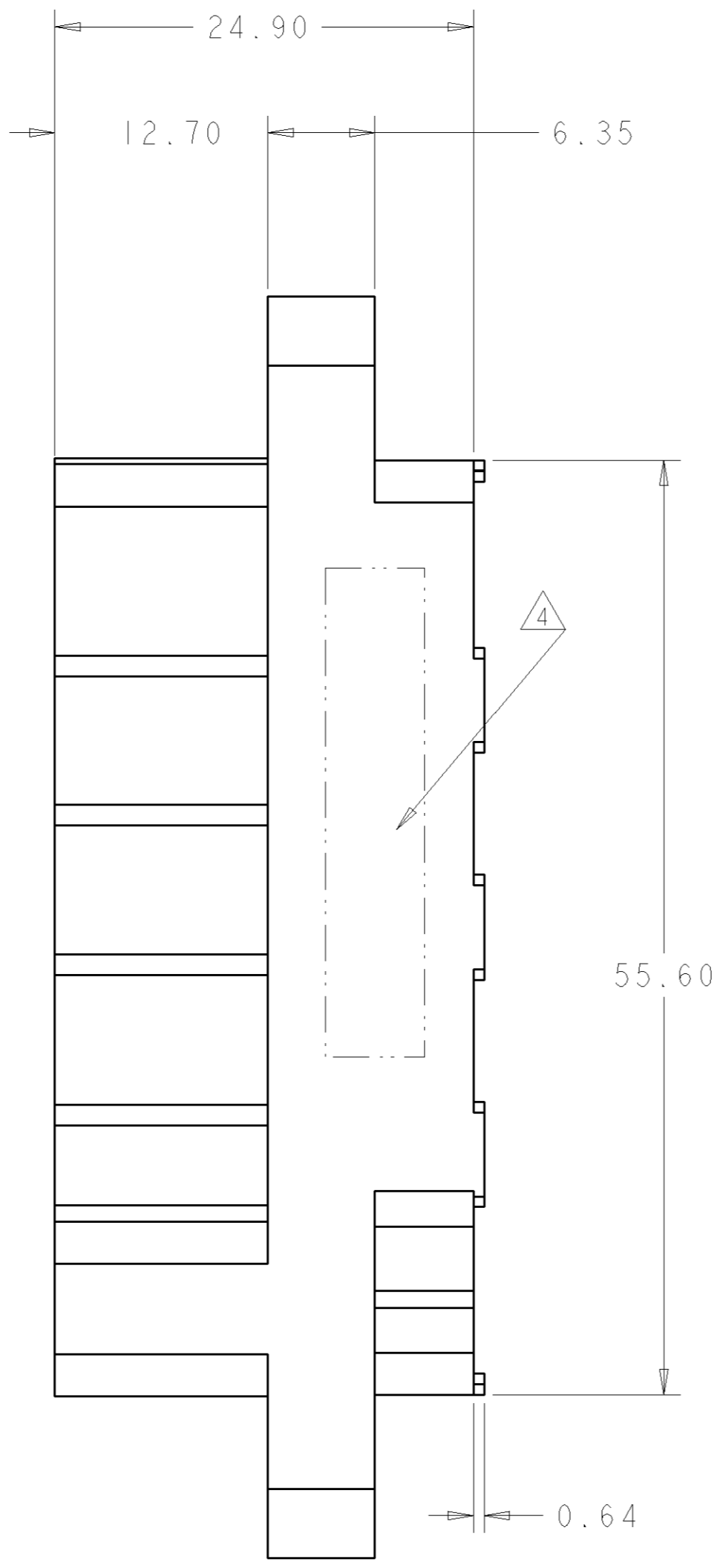
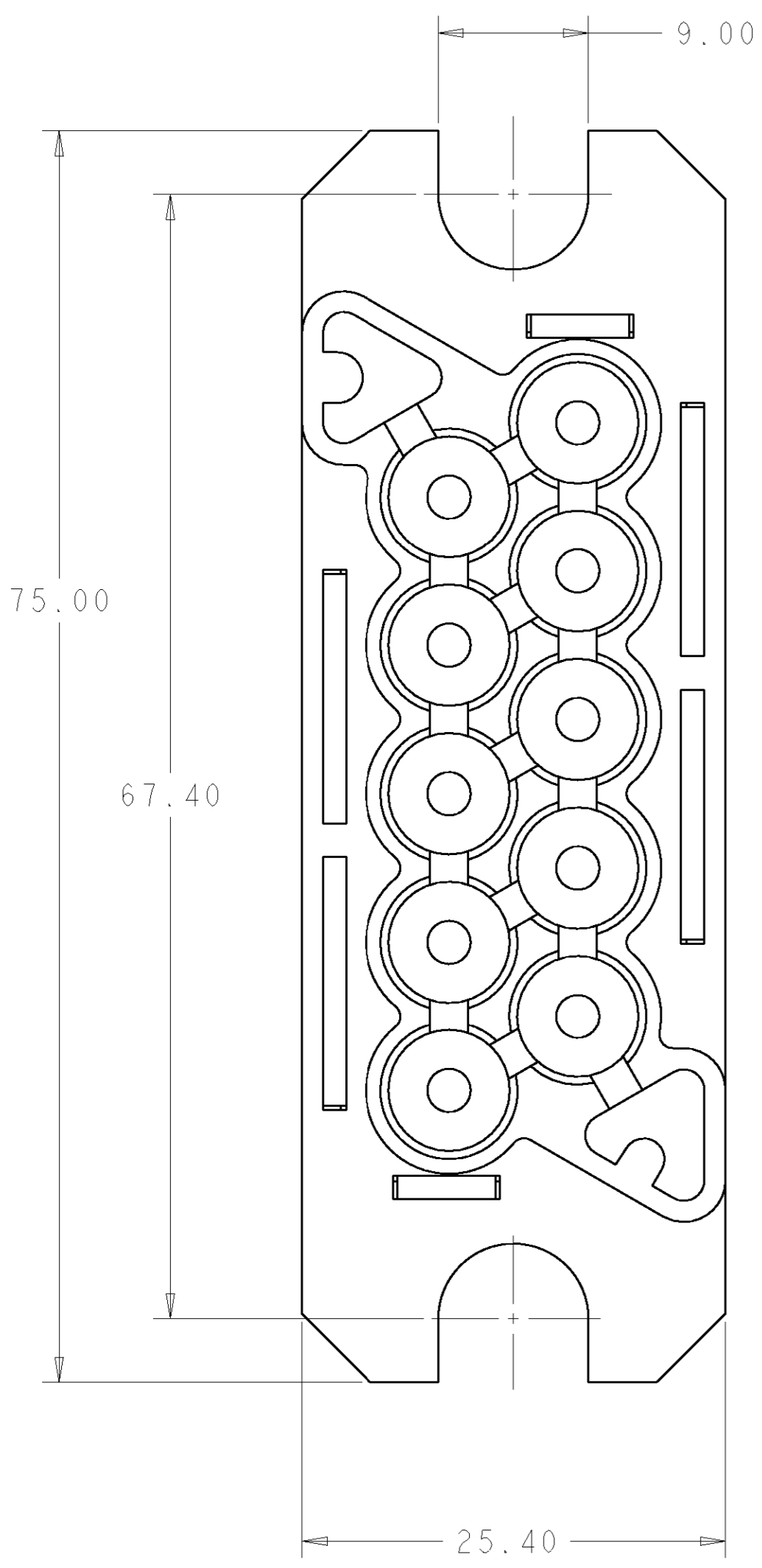
3

2

1

THIS DRAWING IS UNPUBLISHED. RELEASED FOR PUBLICATION 20
 © COPYRIGHT 20 BY TYCO ELECTRONICS CORPORATION. ALL RIGHTS RESERVED.

LOC	DIST	REVISIONS					
GP	00	P	LTR	DESCRIPTION	DATE	DWN	APVD
		A		RELEASED	24JUL2006	RG	SF



PIN CONTACT SIZE #12 (B) OR (C)

ELCON P10S0 DRAWER

THIS DRAWING IS A CONTROLLED DOCUMENT FOR TYCO ELECTRONICS CORPORATION IT IS SUBJECT TO CHANGE AND THE CONTROLLING ENGINEERING ORGANIZATION SHOULD BE CONTACTED FOR THE LATEST REVISION.		DWN R. GRZYBOWSKI 19 JUN 2006 CHK S. FLICKINGER 19 JUN 2006 APVD S. FLICKINGER 19 JUN 2006	tyco Tyco Electronics Electronics Harrisburg, PA 17105-3608
DIMENSIONS: mm 	TOLERANCES UNLESS OTHERWISE SPECIFIED: 0 PLC ± 1 PLC ± 2 PLC ±.30 3 PLC ±0.15 4 PLC ± ANGLES ±2 FINISH	PRODUCT SPEC - APPLICATION SPEC - WEIGHT - CUSTOMER DRAWING	NAME CONNECTOR ASSEMBLY PIN P10S0 DRAWER
MATERIAL -		SIZE A2 CAGE CODE 00779 DRAWING NO. C-1926163	RESTRICTED TO - SCALE 3:1 SHEET 1 OF 2 REV A

AS SHOWN	1926163-1
DESCRIPTION	PART NUMBER

THIS DRAWING IS UNPUBLISHED. RELEASED FOR PUBLICATION 20
 © COPYRIGHT 20 BY TYCO ELECTRONICS CORPORATION. ALL RIGHTS RESERVED.

LOC	DIST	REVISIONS					
GP	00	P	LTR	DESCRIPTION	DATE	DWN	APVD
		-		SEE SHEET 1	-	-	-

- PART NUMBER CHANGES AND OR DESIGN CHANGES AFFECTING ITEM INTERCHANGEABILITY REQUIRE PRIOR TYCO APPROVAL AND AUTHORIZATION BY REVISION TO THIS DRAWING.
- MATERIAL:
 INSULATORS - THERMOPLASTIC, GLASS REINFORCED, COLOR: BLACK
 UL94V-0 FLAMMABILITY RATED.
 PIN CONTACTS - COPPER ALLOY
 RETENTION CLIPS: COPPER ALLOY
- FINISH:
 CONTACTS - GOLD PLATE .000010 INCH MIN. THK., OVER NICKEL
 .000040 INCH MIN. THK.

△4 ITEMS PROVIDED TO THIS SPECIFICATION TO BE PERMANENTLY IDENTIFIED PER THE FOLLOWING IDENTIFIER LABEL

YEAR WEEK

TYCO PART NO. DATE CODE (e.g. 0106)

XXXXXXXX-X
XXXX

△5 CRIMP CONTACTS (ITEM B AND C) SHALL BE PACKAGED SEPERATELY AND PLACED IN THE BOX WITH THE CONNECTOR ASSEMBLY.

△5	2	1650156-2	CONTACT, PIN, #12, CRIMP, PREMATE, HP	C
△5	6	1650153-2	CONTACT, PIN #12, CRIMP, STD, HP	B
	1	1648568-1	PIN, CONNECTOR ASSY	A
	-1	PART NUMBER	DESCRIPTION	ITEM NO.

<small>THIS DRAWING IS A CONTROLLED DOCUMENT FOR TYCO ELECTRONICS CORPORATION IT IS SUBJECT TO CHANGE AND THE CONTROLLING ENGINEERING ORGANIZATION SHOULD BE CONTACTED FOR THE LATEST REVISION.</small>		DWN R. GRZYBOWSKI 19 JUN 2006 CHK S. FLICKINGER 19 JUN 2006 APVD S. FLICKINGER 19 JUN 2006	tyco Tyco Electronics Electronics Harrisburg, PA 17105-3608
DIMENSIONS: mm	TOLERANCES UNLESS OTHERWISE SPECIFIED: 0 PLC ± 1 PLC ± 2 PLC ±.30 3 PLC ±0.15 4 PLC ± ANGLES ±2 FINISH	NAME CONNECTOR ASSEMBLY PIN P10SO DRAWER	SIZE CAGE CODE DRAWING NO RESTRICTED TO A200779G-1926163 -
MATERIAL		WEIGHT	SCALE 3:1 SHEET 2 OF 2 REV A
		CUSTOMER DRAWING	

ELCON P10SO DRAWER