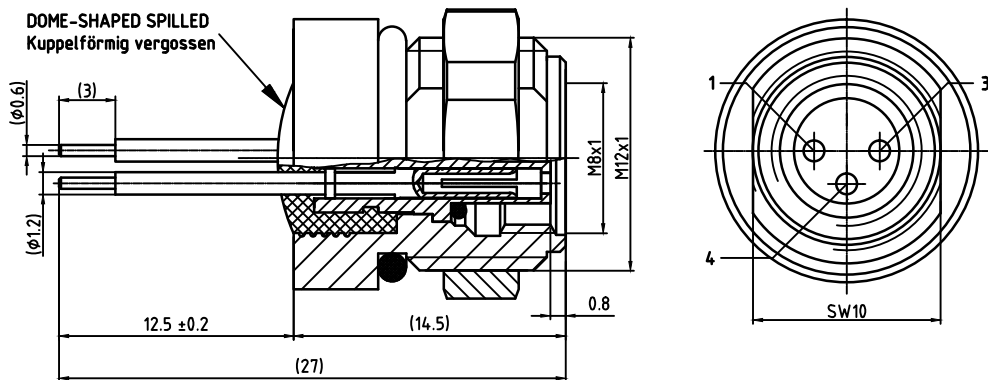
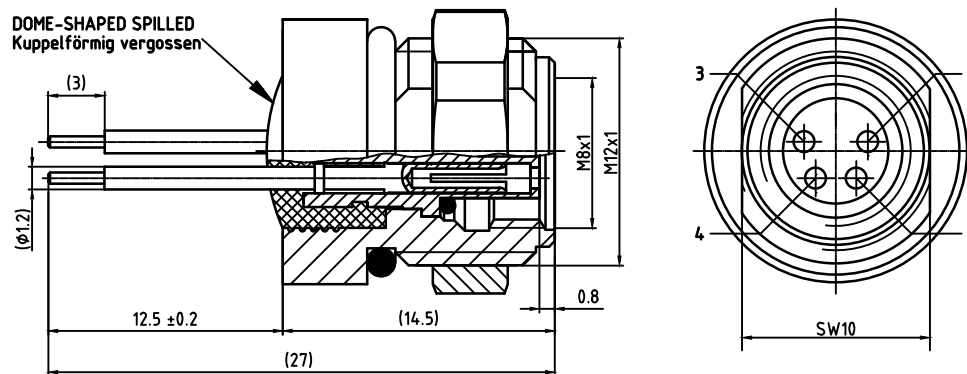


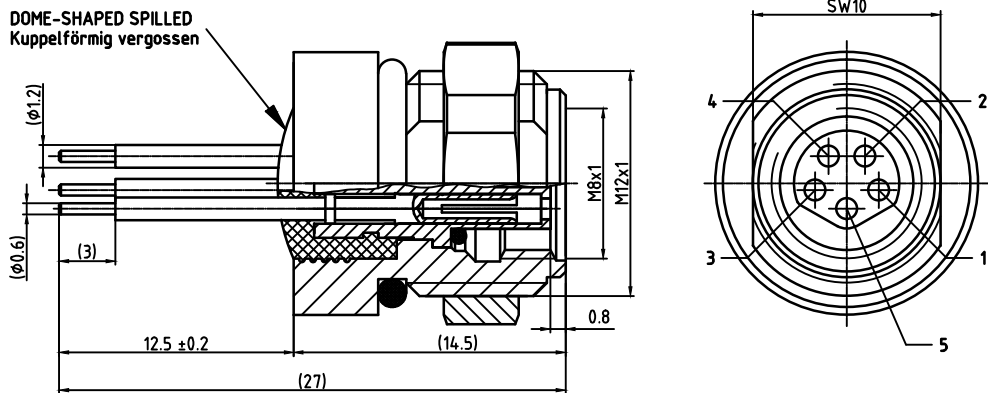
VIEW REPRESENTED WITHOUT NUT  
Ansicht ohne Mutter dargestellt



VIEW REPRESENTED WITHOUT NUT  
Ansicht ohne Mutter dargestellt



VIEW REPRESENTED WITHOUT NUT  
Ansicht ohne Mutter dargestellt



NOTES / Bemerkung:

1	CABLE LENGTH TOLERANCE Kabellängentoleranz	WN-00004
2	POTTING Verguss	ES-120000-019
3	PACKAGING FOR RECEPTACLE Verpackung für Gerätestecker	PK-120000-018
4	PIN-ASSIGNMENT Pin-Belegung	IEC 61076-2-104
5	WINDING SPECIFICATION Wickelvorschrift	ES-120000-020

PART-NUMBER Teile-Nummer	OLD ENGINEERING-NO. alte Engineering-Nr.	REPLACED Ersatz für
1201490016	4R3L40001	0908-036GF-05001
1201490064	4R4L40001	0908-046GF-05001
1201490095	4R5L40001	0908-056GF-05001

DESCRIPTION EC NO.: IPG2013-1570 DRWN: BBRACH 12.04.13 CHKD: REISSNER APPR: REISSNER 2009/08/05	QUALITY SYMBOLS ▽ = 0 ▽ = 0	GENERAL TOLERANCES (UNLESS SPECIFIED) mm INCH 4 PLACES ± --- ± --- 3 PLACES ± --- ± --- 2 PLACES ± 0.05 ± --- 1 PLACE ± 0.1 ± --- 0 PLACE ± --- ± --- ANGULAR ± --- °	DIMENSION STYLE MM DRAWN BY DATE BB 2009/06/29 CHECKED BY DATE JKO 2009/08/05 APPROVED BY DATE FP 2009/08/05	SCALE 5:1 DESIGN UNITS METRIC THIRD ANGLE PROJECTION	REC M8 XP 0C FE STR BM M8-GERAETEDOSE BACK <b>molex</b> DOCUMENT NO. SD-120090-006 SHEET NO. 1 OF 1
	DRAFT WHERE APPLICABLE MUST REMAIN WITHIN DIMENSIONS		MATERIAL NO. see table	THIS DRAWING CONTAINS INFORMATION THAT IS PROPRIETARY TO MOLEX INCORPORATED AND SHOULD NOT BE USED WITHOUT WRITTEN PERMISSION	
	3	REV			