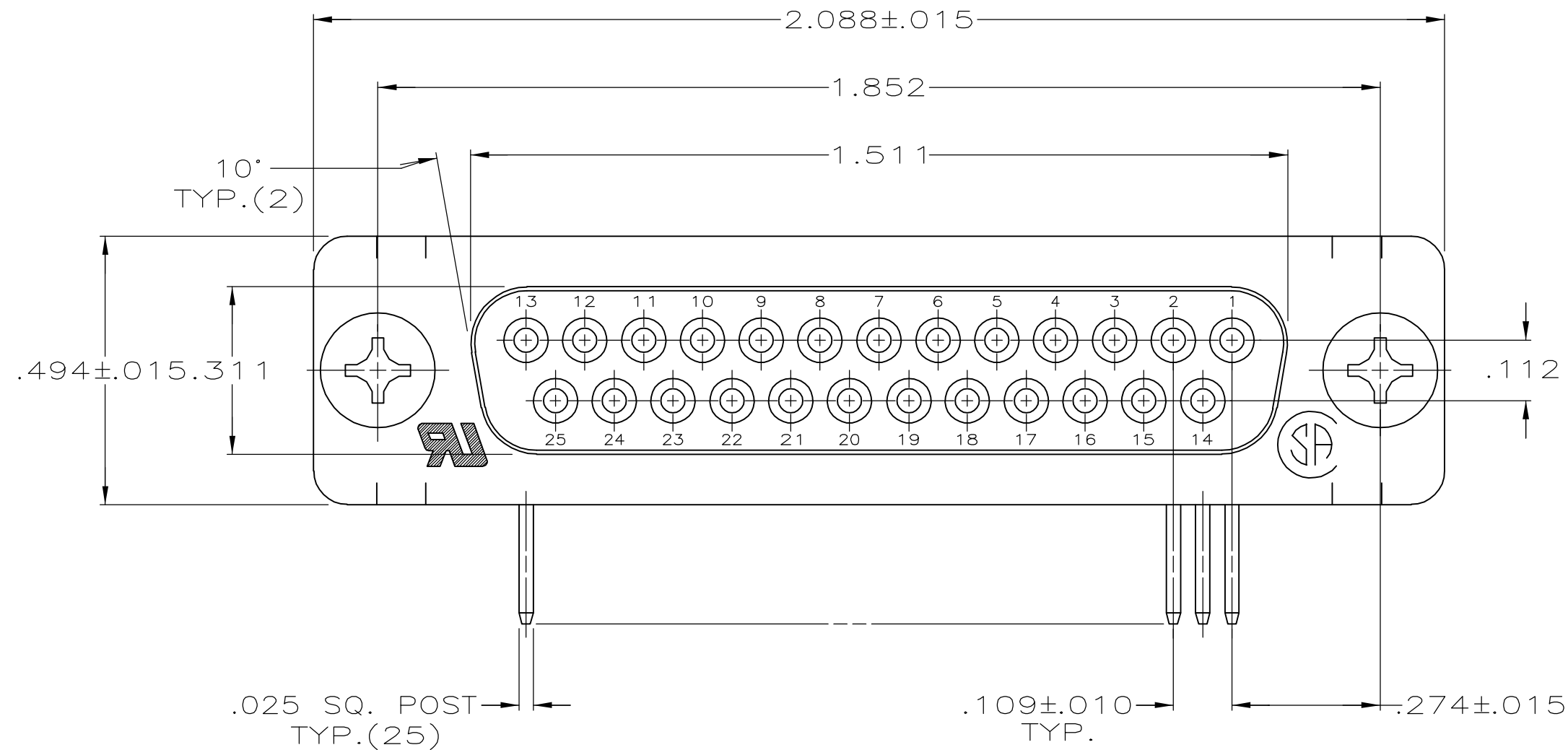
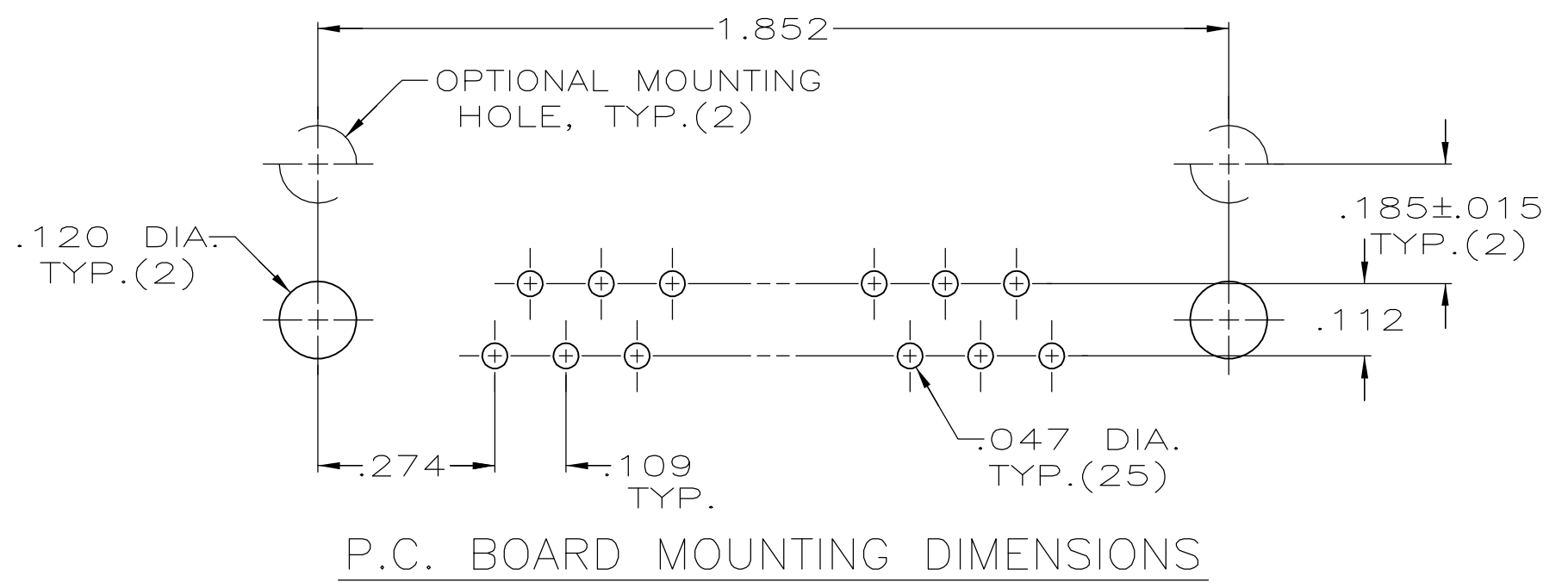
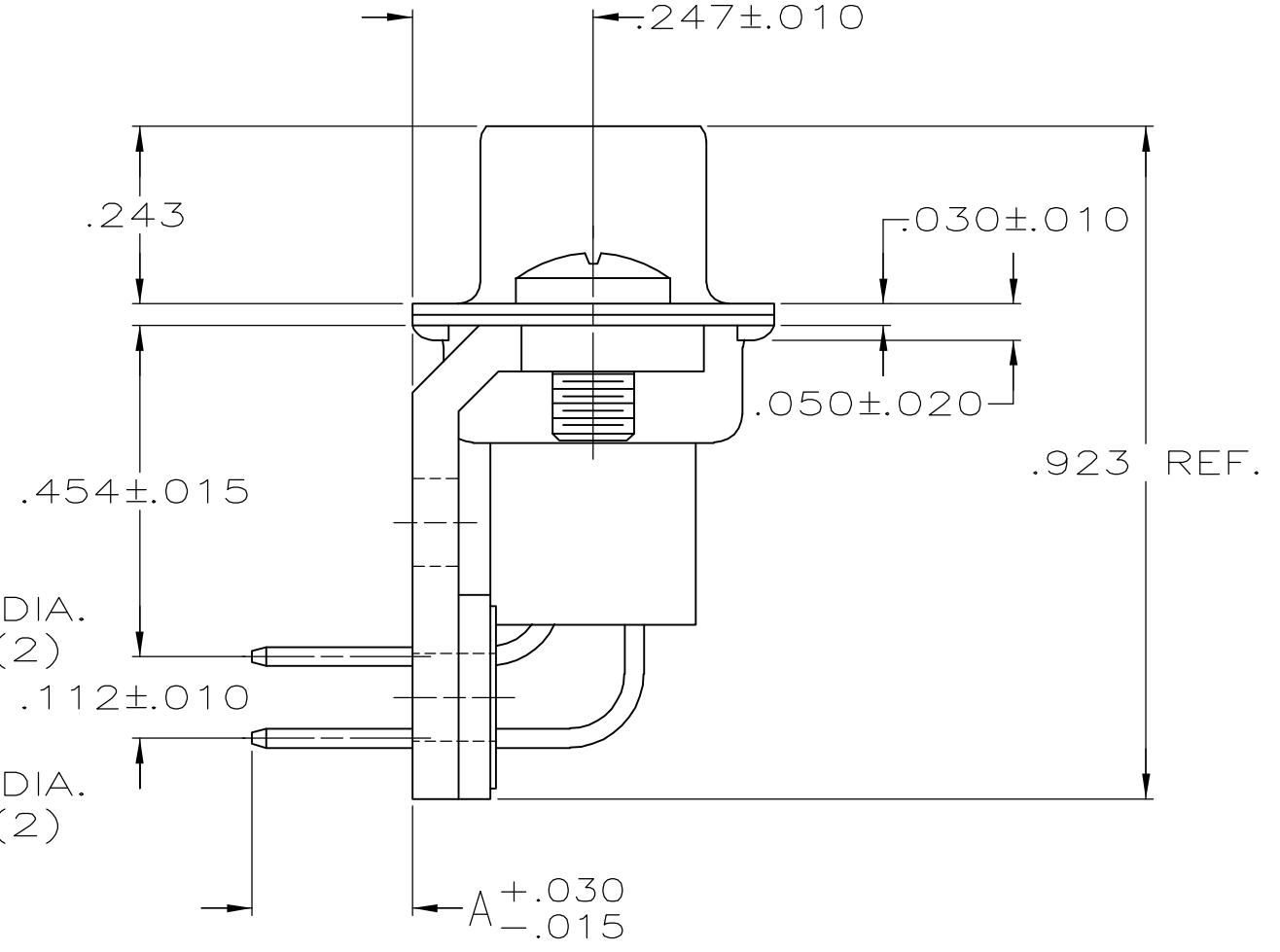
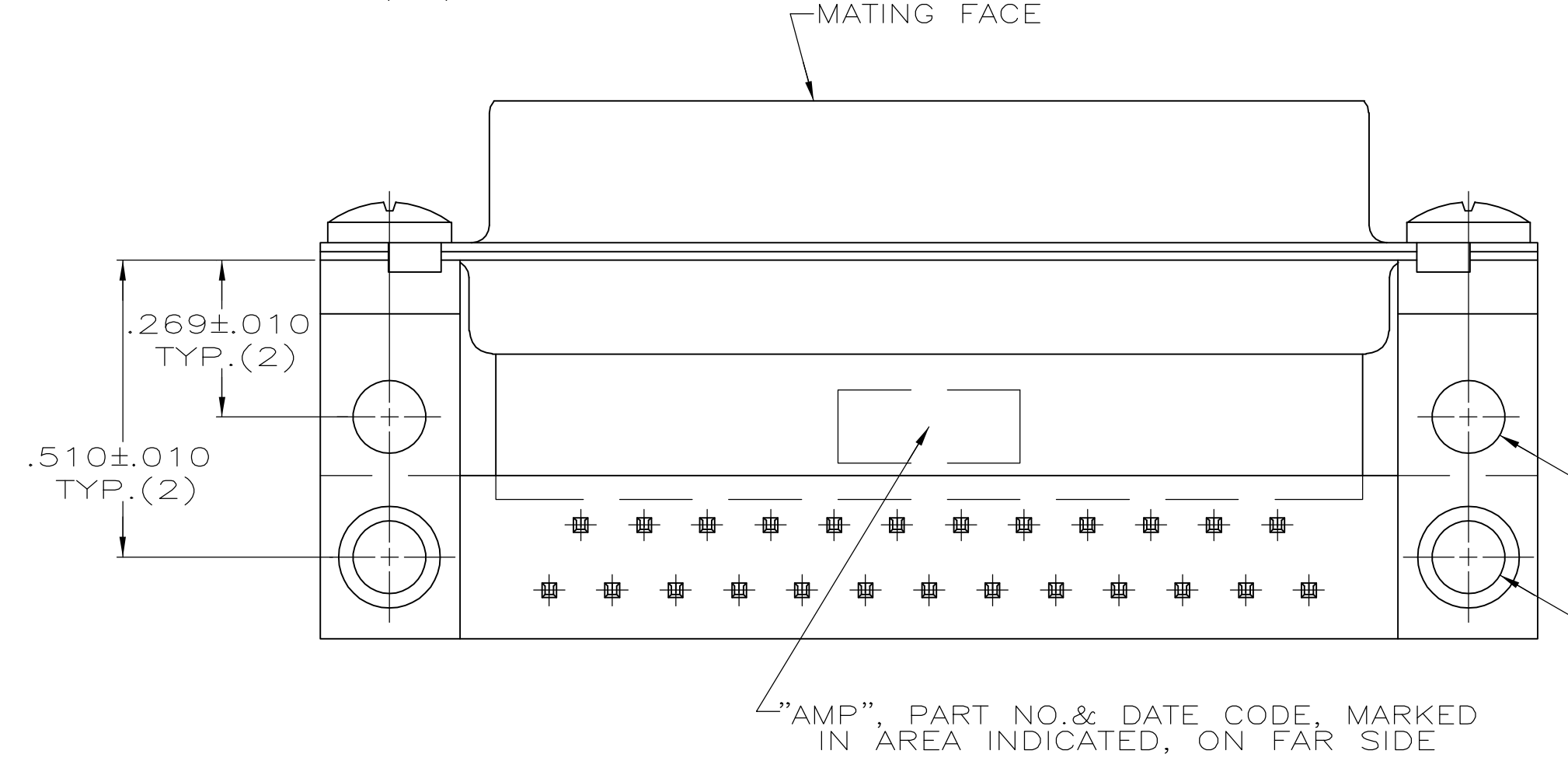


THIS DRAWING IS UNPUBLISHED. RELEASED FOR PUBLICATION
 © COPYRIGHT BY TYCO ELECTRONICS CORPORATION. ALL RIGHTS RESERVED.

| LOC | | DIST | | REVISIONS | | | |
|-----|-----|---------------------------|---------|-----------|------|--|--|
| P | LTR | DESCRIPTION | DATE | DWN | APVD | | |
| GP | 00 | | | | | | |
| | H | REVISED PER ECO-07-000091 | 06FEB07 | BM | SB | | |



1. CONNECTOR MATES WITH ANY 25 POS. PLUG IN AMPLIMITE SERIES & COMPLIES WITH AMP SPEC. 108-40,005 WHERE APPLICABLE.
2. FLAME RETARDANT 94V-0 RATED THERMOPLASTIC; COLOR: BLACK.
3. STEEL PER ASTM A109.
4. PHOS. BRONZE PER QQ-B-750.
5. TIN PLATING PER MIL-T-10727, GOLD PLATING PER MIL-G-45204, NICKEL PLATING PER QQ-N-290.
6. TIN PLATED.
7. GOLD FLASH FOR A LENGTH OF .100 MINIMUM FROM MATING END, .000100 MINIMUM TIN-LEAD ON OPPOSITE END, BOTH OVER .000050 MINIMUM NICKEL.
8. .000030 MINIMUM GOLD FOR A LENGTH OF .100 MINIMUM FROM MATING END, .000100 MINIMUM TIN-LEAD ON OPPOSITE END, BOTH OVER .000050 MINIMUM NICKEL.



| | | | |
|----------|----------------|-------------|----------|
| OBSOLETE | .125 | 8 | 745440-4 |
| OBSOLETE | .125 | 7 | 745440-3 |
| OBSOLETE | .220 | 8 | 745440-2 |
| | .220 | 7 | 745440-1 |
| A | CONTACT FINISH | PART NUMBER | |

| | | | | | | | |
|--|-----|------------------|-----------|---------------------|--|---|--|
| THIS DRAWING IS A CONTROLLED DOCUMENT. | | DWN | J. GERACE | tyco Electronics | | Tyco Electronics Corporation Harrisburg, PA 17105-3608 | |
| DIMENSIONS: INCHES | | CHK | J. GERACE | NAME | | RECEPTACLE ASSEMBLY, SIZE 3, 25 POS., RIGHT ANGLE, .454 SERIES, .025 SQ. POSTS, AMPLIMITE HDP | |
| TOLERANCES UNLESS OTHERWISE SPECIFIED: | | APVD | J. GERACE | PRODUCT SPEC | | SIZE | |
| 0 PLC | ± - | APPLICATION SPEC | | CAGE CODE | | DRAWING NO | |
| 1 PLC | ± - | | | A2 | | 00779 | |
| 2 PLC | ± - | | | C=745440 | | RESTRICTED TO | |
| 3 PLC | ± - | | | SCALE | | SHEET 1 OF 1 | |
| 4 PLC | ± - | | | CUSTOMER DRAWING | | REV H | |
| ANGLES | ± - | | | | | | |
| FINISH | - | | | | | | |