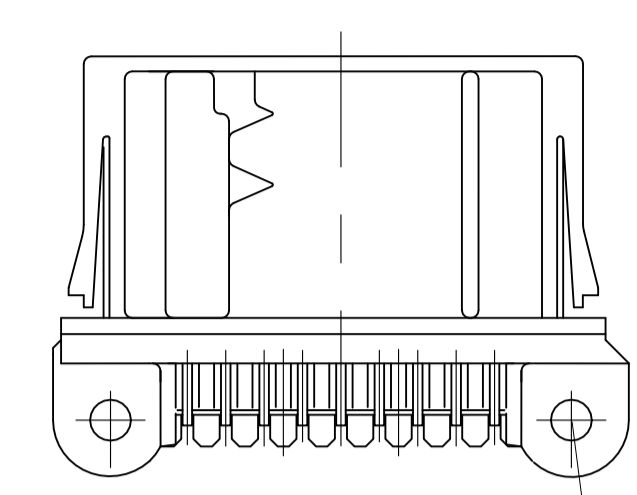
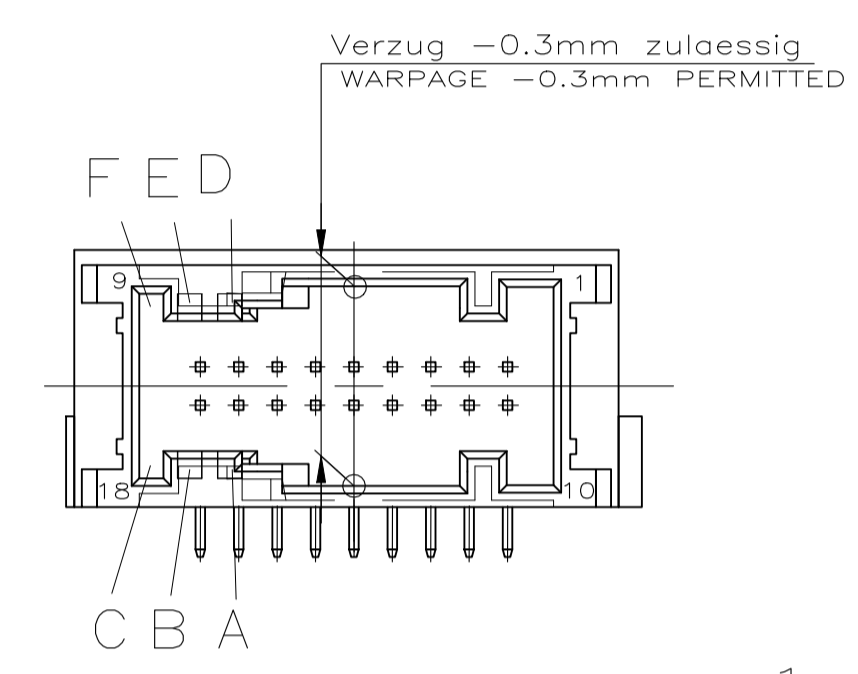
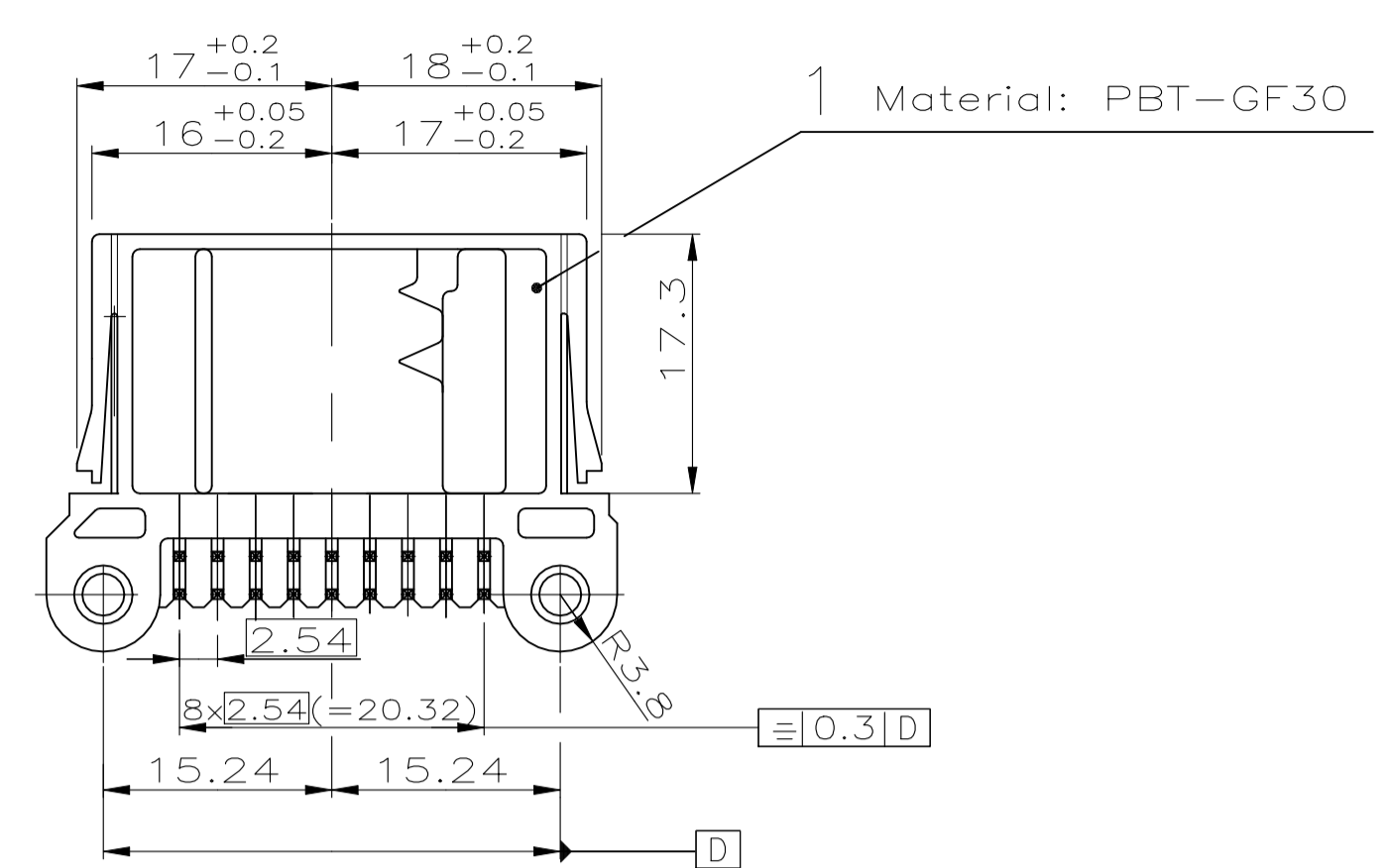
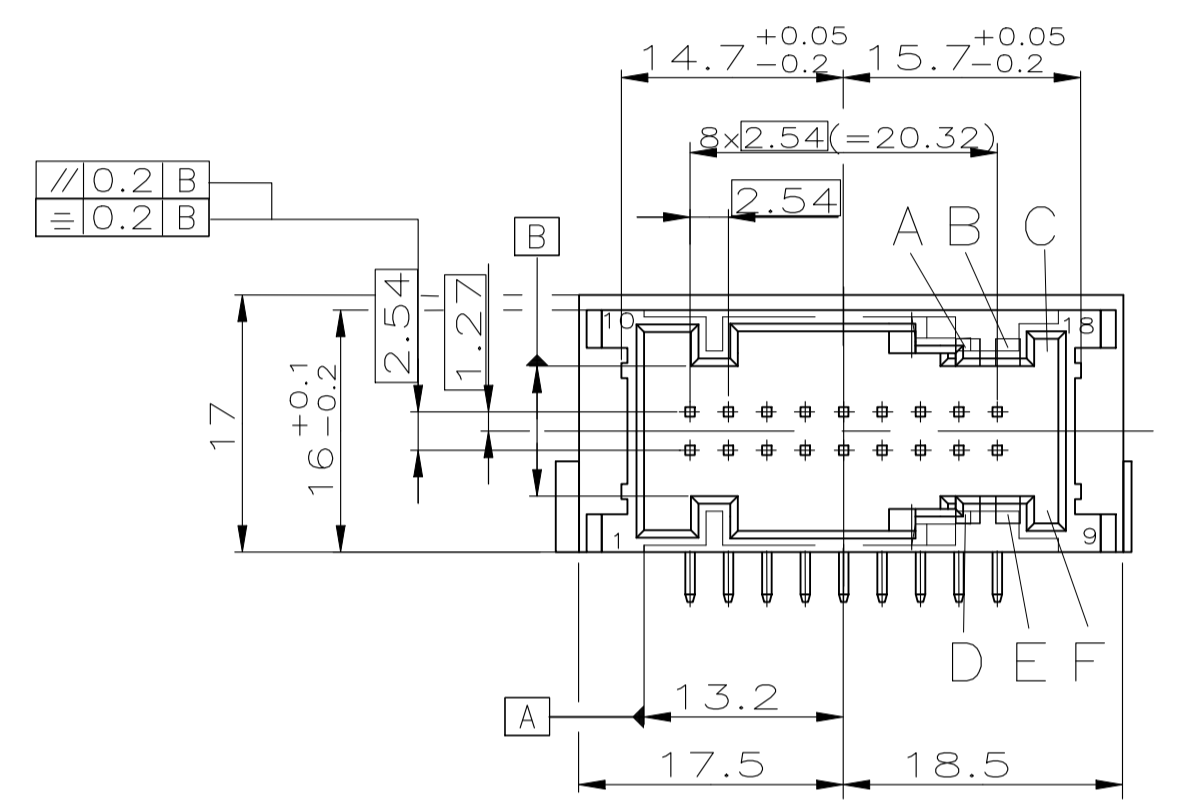
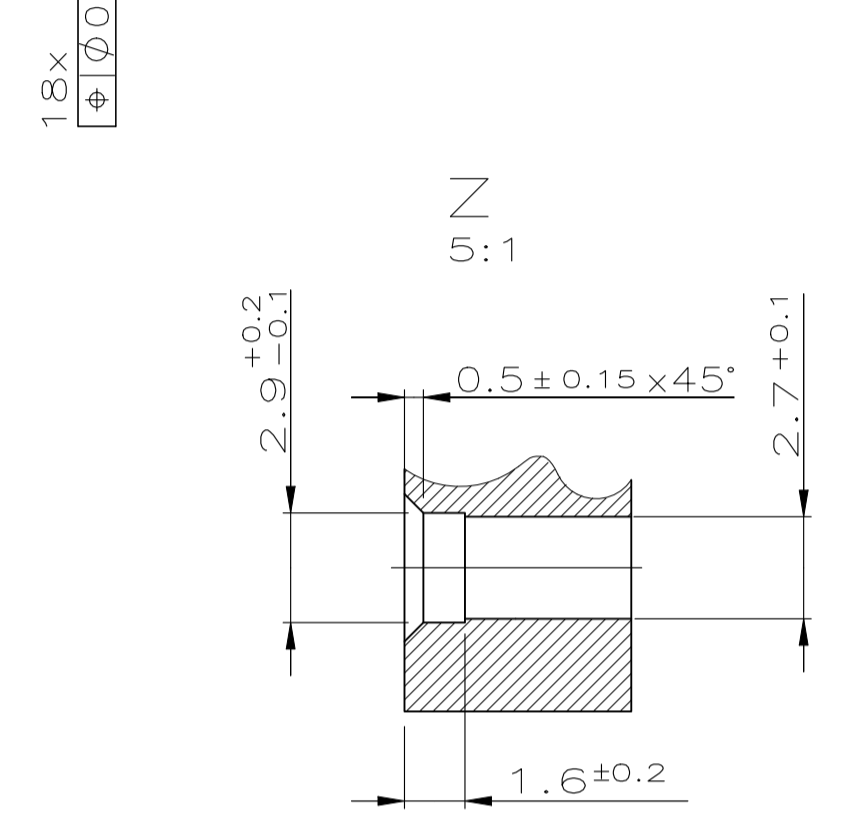
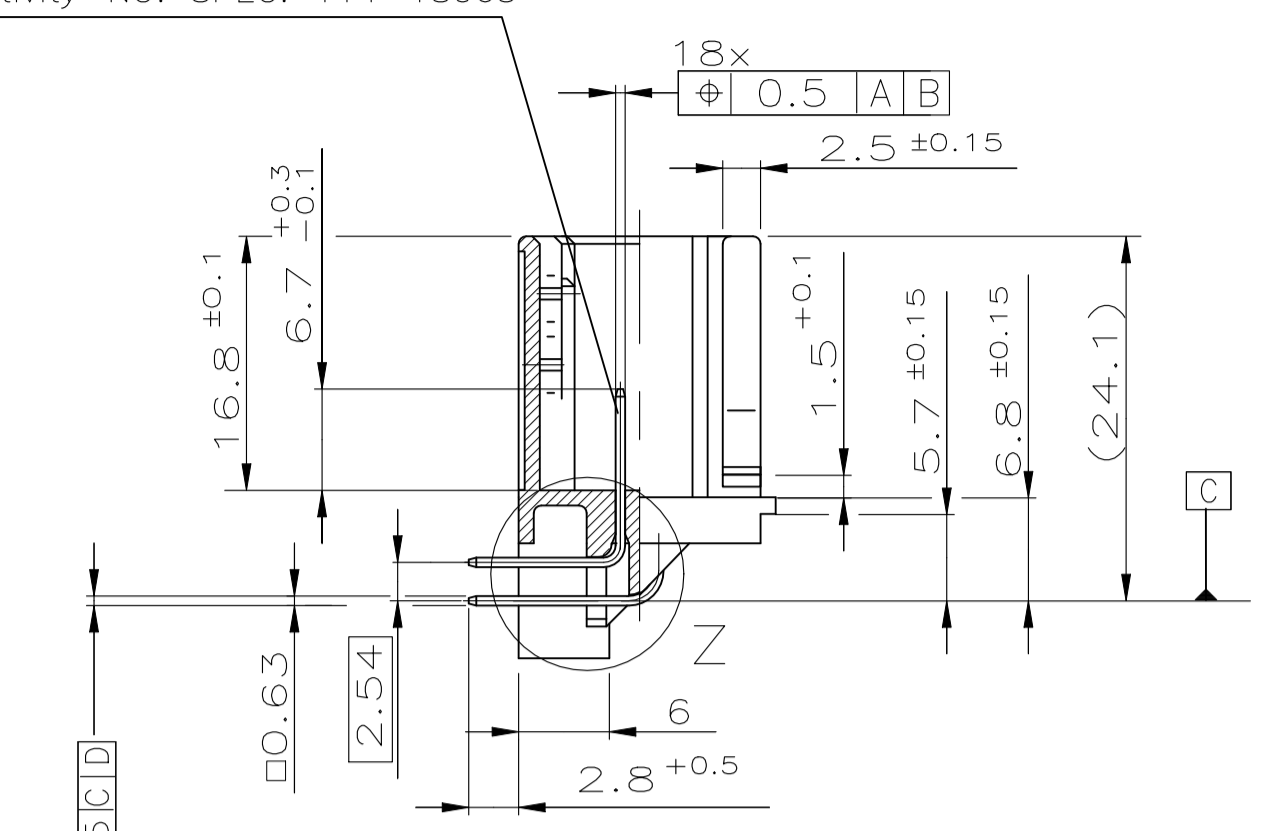
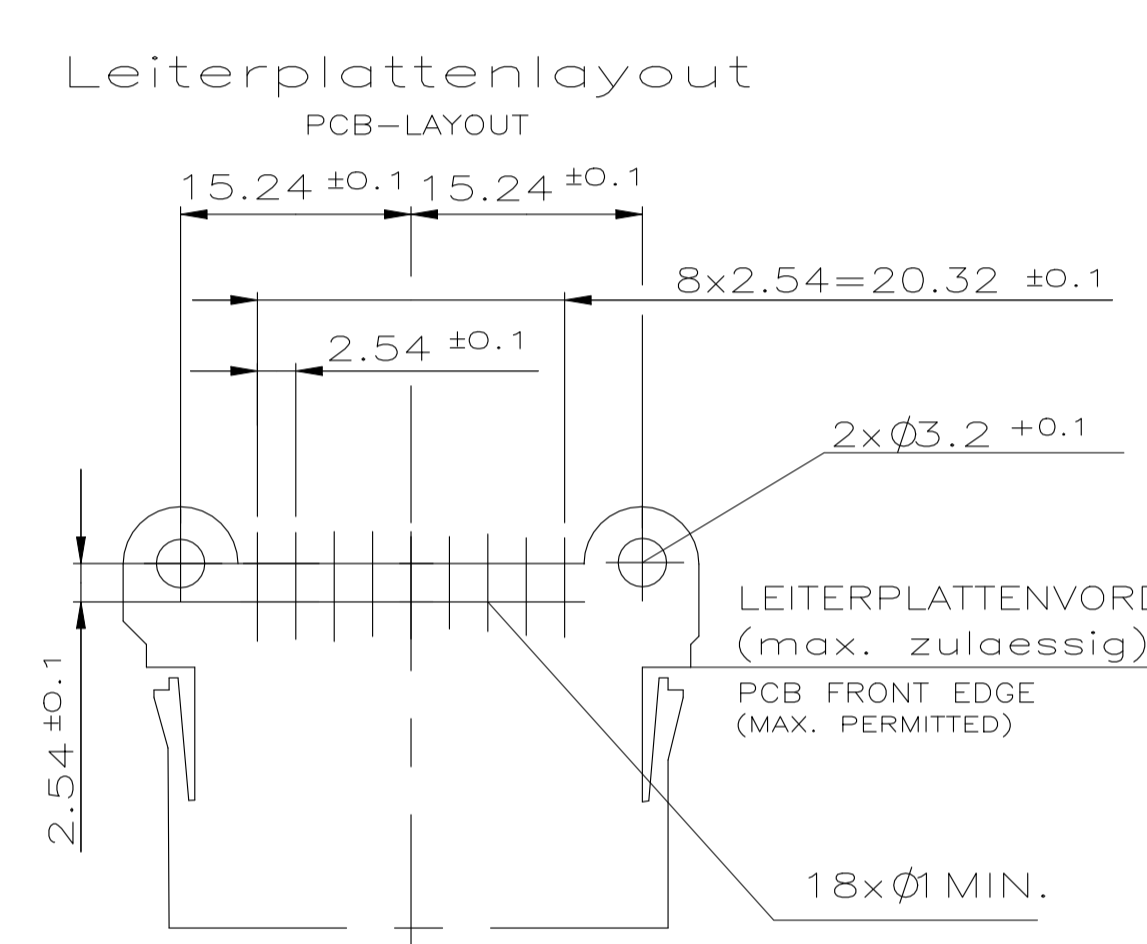


Material: CuFe 2
Oberfläche TE connectivity-Nr. Spez. 114-18063
SURFACE TE connectivity-NO. SPEC. 114-18063

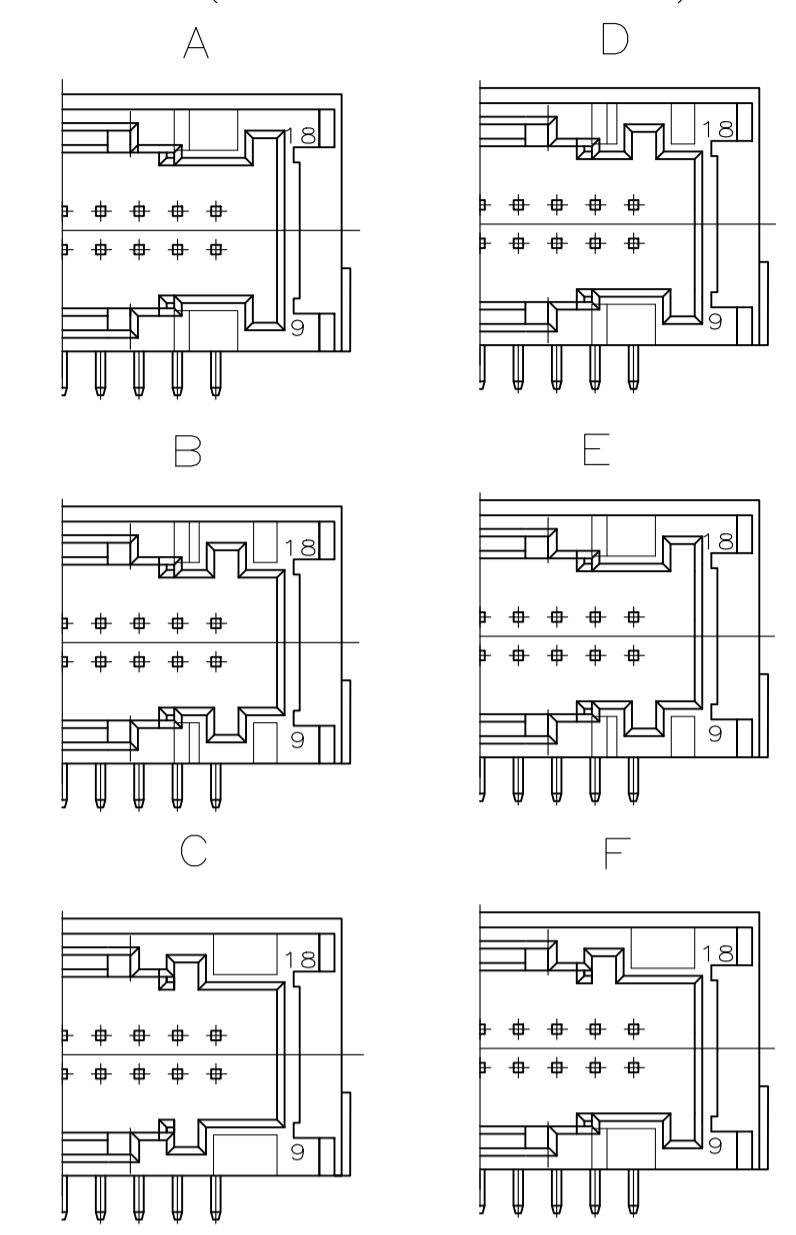


Befestigungsbohrung
MOUNTING HOLE
Für "AVDEL"-NIET 1110-4004 und 1110-4074
FOR AVDEL-RIVET.....AND.....



| Loc | DIST | REVISIONS | DATE | DRN | APVD |
|-----|------|---------------------------|---------|------|------|
| AI | - | DESCRIPTION | | | |
| | F3 | REVISED PER ECO-11-005150 | 21MAR11 | RK | HMR |
| | F4 | ECR-11-023925 | 24NOV11 | Sche | TS |
| | F5 | ECR-23-182945 | 02AUG23 | AG | PT |

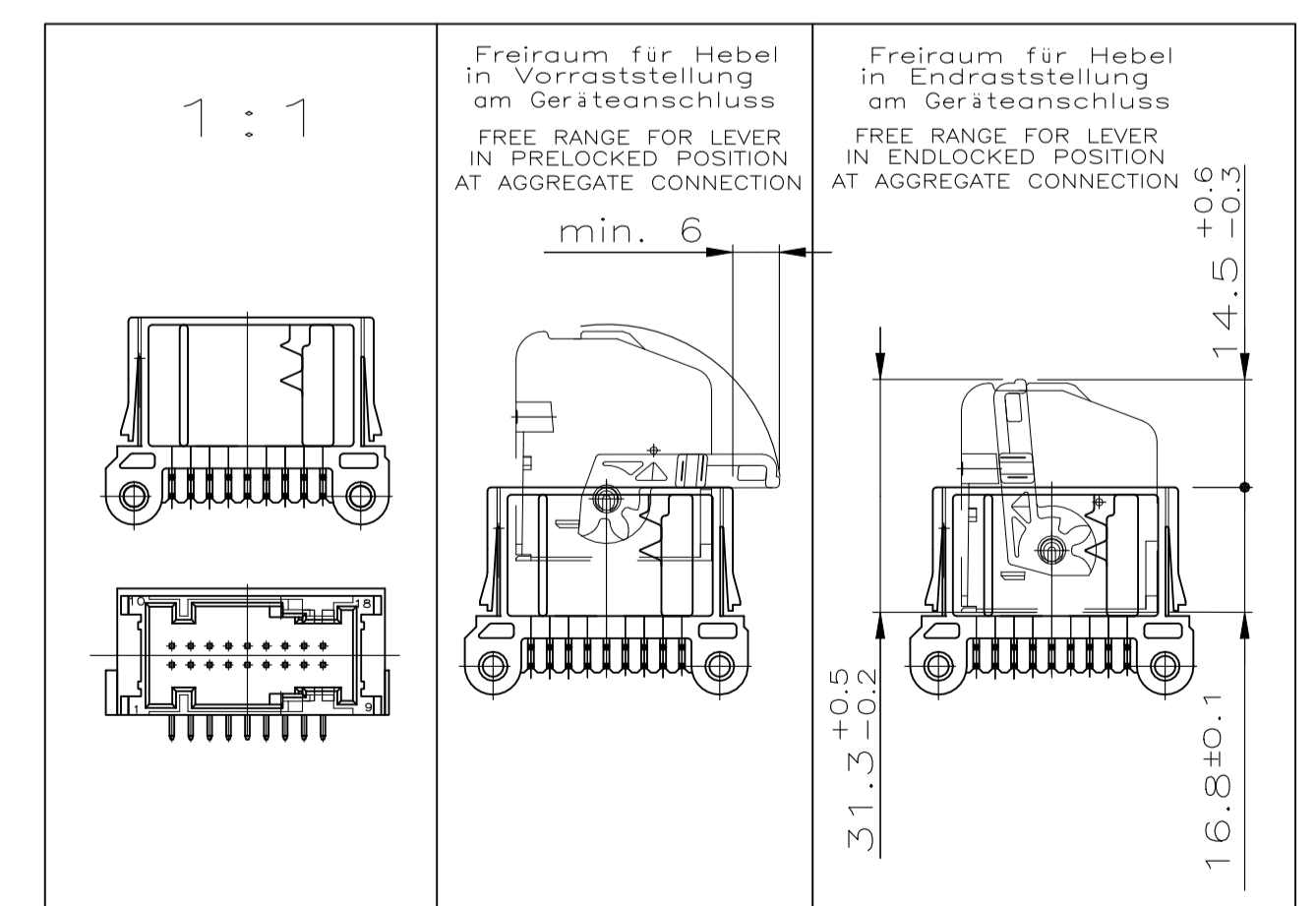
Kodierungen
(nur Kabelabgang links dargestellt)
CODING
(CABLE DIRECTION LEFT SHOWN)



Bemerkungen
NOTES

- Produkt darf nur mit Zustimmung von BMW geändert werden
PRODUCT SHALL BE CHANGED WITH THE AGREEMENT OF BMW ONLY
- Produktspezifikation: 108-18214
PRODUCT SPECIFICATION:
- 1-963539-1 gezeichnet
AS SHOWN
- Nur der deutsche Text ist bindend
ONLY THE GERMAN-LANGUAGE VERSION SHALL BE BINDING
- Ausdrückkraft $\geq 25N$
Loetbarkeit gemäss DIN IEC 68 Teil 2-20, Alterung 3
PRESS OUT FORCE $> 25N$
SOLDERABILITY ACCORDING TO DIN IEC 68 Teil 2-20, AGEING 3
- Oberfläche nach Spez.-Nr. 114-18063
Steckseite: vergoldet / Loetseite: verzinkt
SURFACE ACCORDING SPEC.-NO. 114-18063
SOLDER SIDE: TIN / MATING SIDE: GOLD
- Verpackungsversion von TE CONNECTIVITY-Nr. 1-963539-2
in ESD-Tray
PACKAGING VERSION FROM TE CONNECTIVITY-NO. 1-963539-2 IN ESD-TRAY
- Nur für DRX
ONLY FOR DRX
Ausdrückkraft $\geq 23N$
PRESS OUT FORCE $\geq 23N$

| Kabelabgang | REV. | KOD. | POS. | STK. | BENENNUNG | OBERFLÄCHE | ART | GRAMM | PASSEND ZU: | DAZU GEGEHÖRIG: | DAZU GEGEHÖRIG: | |
|-----------------|------------|-------|-------|-----------------------|--------------------------|-------------------------|---------------------------|---------------|--|-----------------|-----------------|---|
| CABLE DIRECTION | ORDER NO. | COD. | QTY. | DESCRIPTION | SURFACE/COLOR | KIND | WEIGHT | SUITABLE FOR: | TE CONNECTIVITY | USED WITH: | USED WITH: | |
| rechts RIGHT | - | - | - | - | FCA-F | Zinn/TIN braun/BROWN | - | - | - | - | - | |
| | - | - | - | - | EC-E | Zinn/TIN gruen/GREEN | - | - | - | - | - | |
| | - | - | - | - | DCB-F | Zinn/TIN gelb/YELLOW | - | - | - | - | - | |
| | - | - | - | - | CA-D | Zinn/TIN blau/BLAU | - | - | - | - | - | |
| links LEFT | 1-963539-3 | A | ARC-F | 2 18 | Stiftkontakt/PIN CONTACT | Gold/GOLD, Zinn/TIN | 7 | 7.1 | 1-963263-1 1-963068-2 1-963616-1 | 962108-2 | 929650-2 | |
| | 1-963539-5 | A | ARC-F | 1 1 | Stiftwanne/PIN HEADER | schwarz/BLACK | - | - | - | - | - | |
| | 1-963539-2 | F | ARC-F | 2 18 | Stiftkontakt/PIN CONTACT | Zinn/TIN | 7 | 7.1 | 1-963263-1 1-963068-2 1-963616-1 | 962108-2 | 929650-2 | |
| | 1-963539-2 | F | ARC-F | 1 1 | Stiftwanne/PIN HEADER | schwarz/BLACK | - | - | - | - | - | |
| | 2-963539-4 | B | ARC-F | 2 18 | Stiftkontakt/PIN CONTACT | Gold/GOLD | 7 | 7.1 | 1-963263-1 1-963068-2 1-963616-1 | 962108-2 | 929650-2 | |
| | 2-963539-4 | B | ARC-F | 1 1 | Stiftwanne/PIN HEADER | schwarz/BLACK | - | - | - | - | - | |
| | - | - | - | - | - | FCA-F | Zinn/TIN braun/BROWN | - | - | - | - | - |
| | - | - | - | - | - | EC-E | Zinn/TIN gruen/GREEN | - | - | - | - | - |
| | - | - | - | - | - | DCB-F | Zinn/TIN gelb/YELLOW | - | - | - | - | - |
| | - | - | - | - | - | CA-D | Zinn/TIN blau/BLAU | - | - | - | - | - |
| | - | - | - | - | - | BCB-E | Zinn/TIN natur/NATURAL | - | - | - | - | - |
| | 1-963539-1 | F | ARC-F | 2 18 | Stiftkontakt/PIN CONTACT | Zinn/TIN | 7 | 7.1 | 1-963263-1 1-963068-2 1-963616-1 | 962108-2 | 929650-2 | |
| 1-963539-1 | F | ARC-F | 1 1 | Stiftwanne/PIN HEADER | schwarz/BLACK | - | - | - | - | - | | |



| | | | | |
|---|--|--------------------------------------|--------------------|--------------------------|
| THIS DRAWING IS A CONTROLLED DOCUMENT. DIESE ZEICHNUNG IST EIN KONTROLLIERTES DOKUMENT. | | DIN C.Beul 060CT1994 | TE Connectivity | |
| DIMENSIONS: MASSENHEITEN: mm | | APVD J.Hahn | NAME | |
| TOLERANCES UNLESS OTHERWISE SPECIFIED: ALL DIMENSIONS UNLESS OTHERWISE SPECIFIED: 1. DIN 1801-140 | | 0. PLC ± | PRODUCT SPEC | |
| 1. PLC ± | | 2. PLC ± | PRODUKTSPEZ | |
| 2. PLC ± | | 3. PLC ± | 108-18214 | |
| 3. PLC ± | | 4. PLC ± | APPLICATION SPEC | |
| 4. PLC ± | | ANGLES / WINKEL ± ° | VERARBEITUNGSSPEZ | |
| MATERIAL | | WEIGHT GEWICHT | SIZE A1 | RESTRICTED TO NUR FÜR |
| BESTELL-NR ORDER NO. | | REV. COD. | CAGE CODE 00779 | DRAWING NO 963539 |
| KOD. COD. | | POS. QTY. | DIN 060CT1994 | SCALE 2:1 |
| BENENNUNG DESCRIPTION | | OBERFLÄCHE FARBE SURFACE/COLOR | DIN 060CT1994 | SHEET 1 |
| ART KIND | | GRAMM GEWICHT | DIN 060CT1994 | OF 1 |
| PASSEND ZU: SUITABLE FOR: | | TE CONNECTIVITY | DIN 060CT1994 | REV F5 |
| DAZU GEGEHÖRIG: USED WITH: | | TE CONNECTIVITY | DIN 060CT1994 | |
| DAZU GEGEHÖRIG: USED WITH: | | TE CONNECTIVITY | DIN 060CT1994 | |