

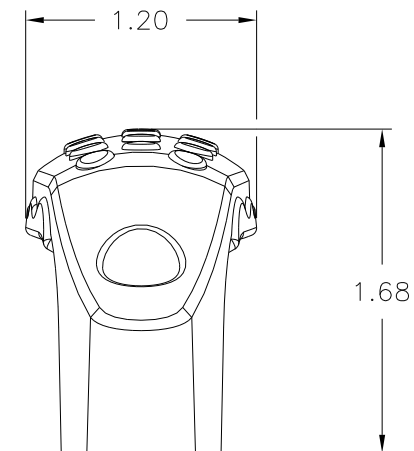
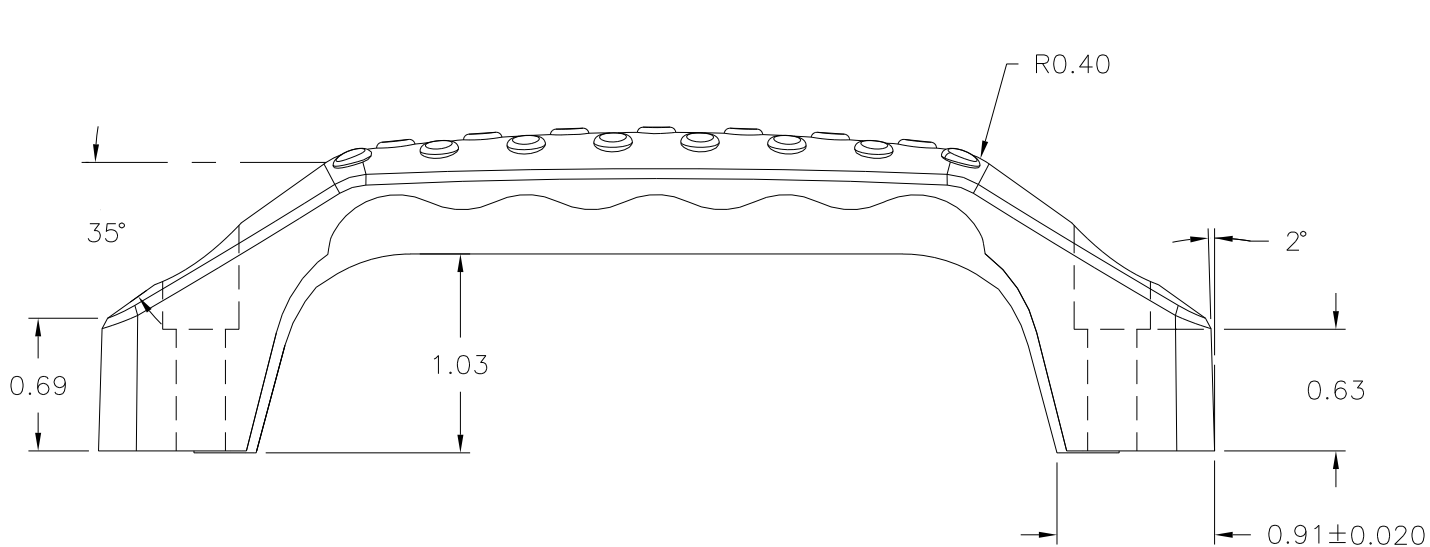
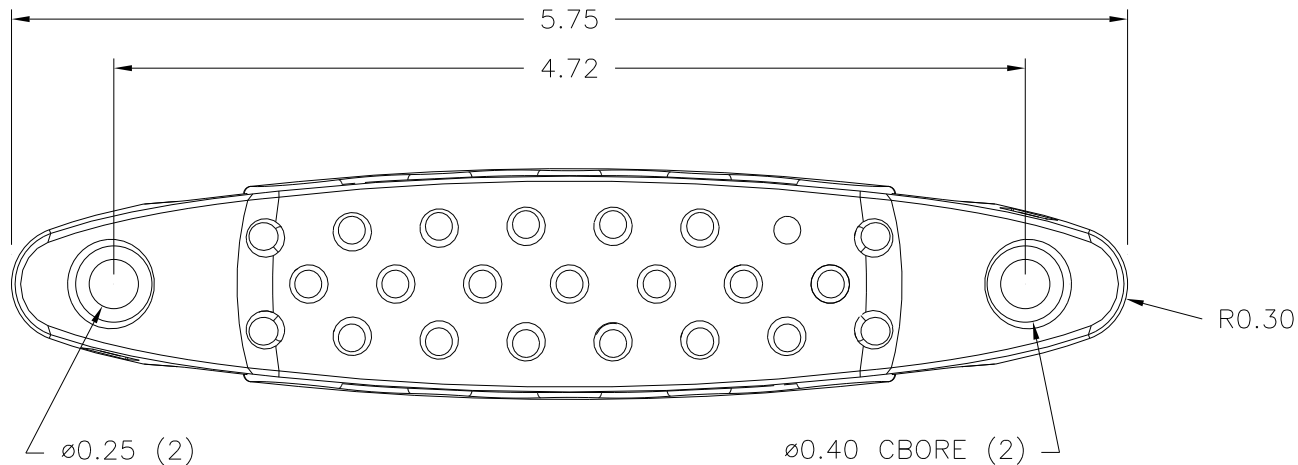
PART NAME: HANDLE SCALE: 1:1 DATE: 10/3/14 DR. BY JAM

THIS DRAWING IS THE PROPERTY OF DAVIES MOLDING COMPANY, IS SUBMITTED SOLELY AS A DESIGN OR ENGINEERING PROJECT. WE ACCEPT NO RESPONSIBILITY WHATSOEVER FOR THE PRACTICAL APPLICATION OF THE PIECES MADE TO THIS DESIGN.



DESIGNERS & MANUFACTURERS OF KNOBS, HANDLES, CASES & CUSTOM PLASTIC COMPONENTS

P/N	4570BW
M NO.	4570
PIN	4570
INSERT	NONE



SUBSTRATE MATERIAL: 33% GLASS FILLED NYLON (CL5)  
 COLOR: BLACK (PC-301)

OVERMOLD MATERIAL: TPE (TPE1)Ⓐ  
 COLOR: WHITE (MC23085)

TOLERANCES: UNLESS OTHERWISE SPECIFIED	DO NOT SCALE DRAWING			
DECIMALS: X.XXX ± .005 X.XX ± .015	MM: X.XX ± 0.15MM X.X ± 0.4MM	A	WAS TPE4	JAM 11/16/15
FRACTIONS ± 1/64	ANG. ± 1°	-	WAS SK4570-12	JAM 10/3/14
CHANGES				