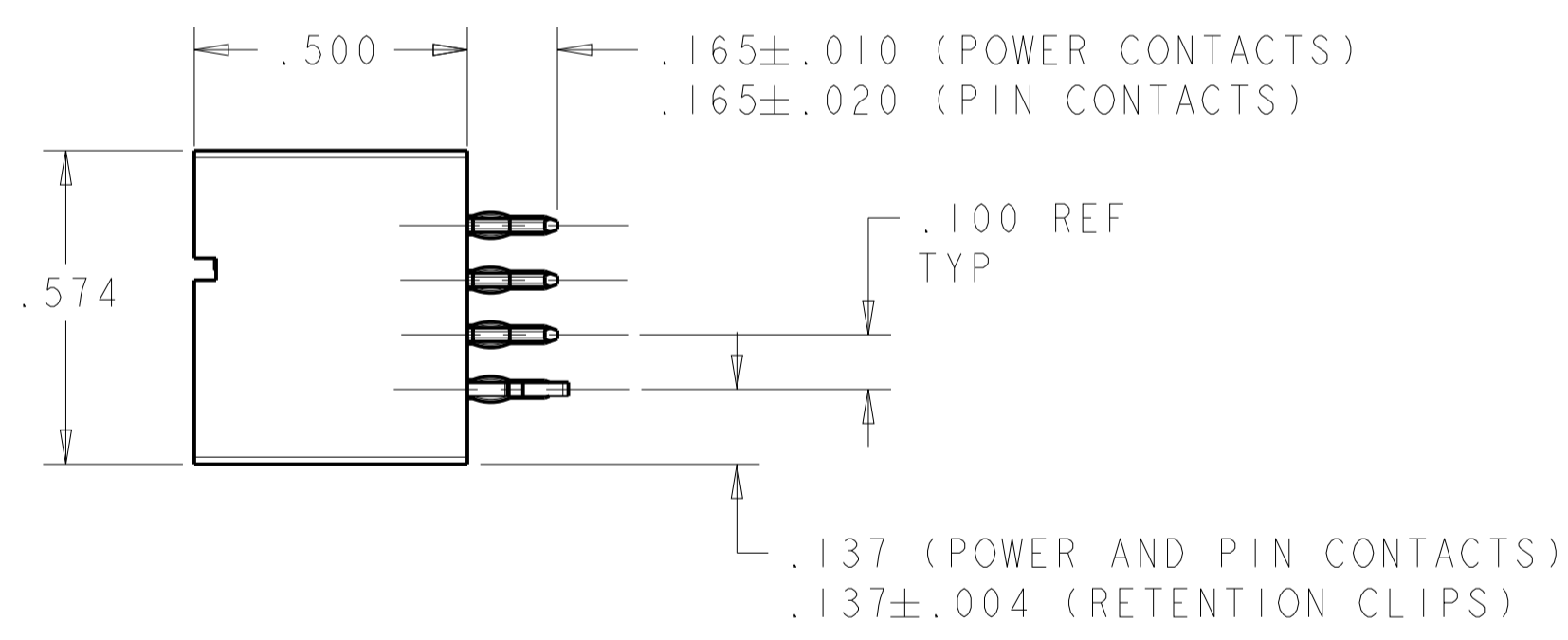
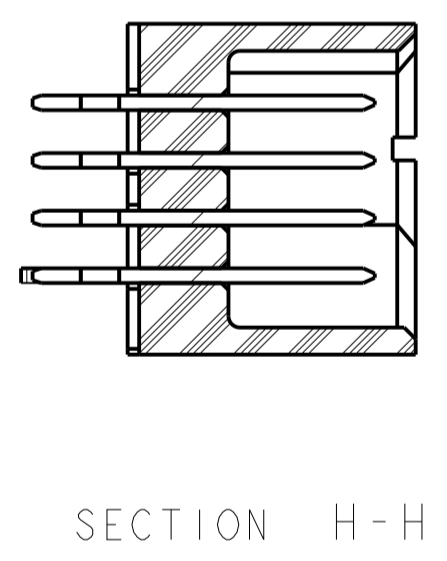
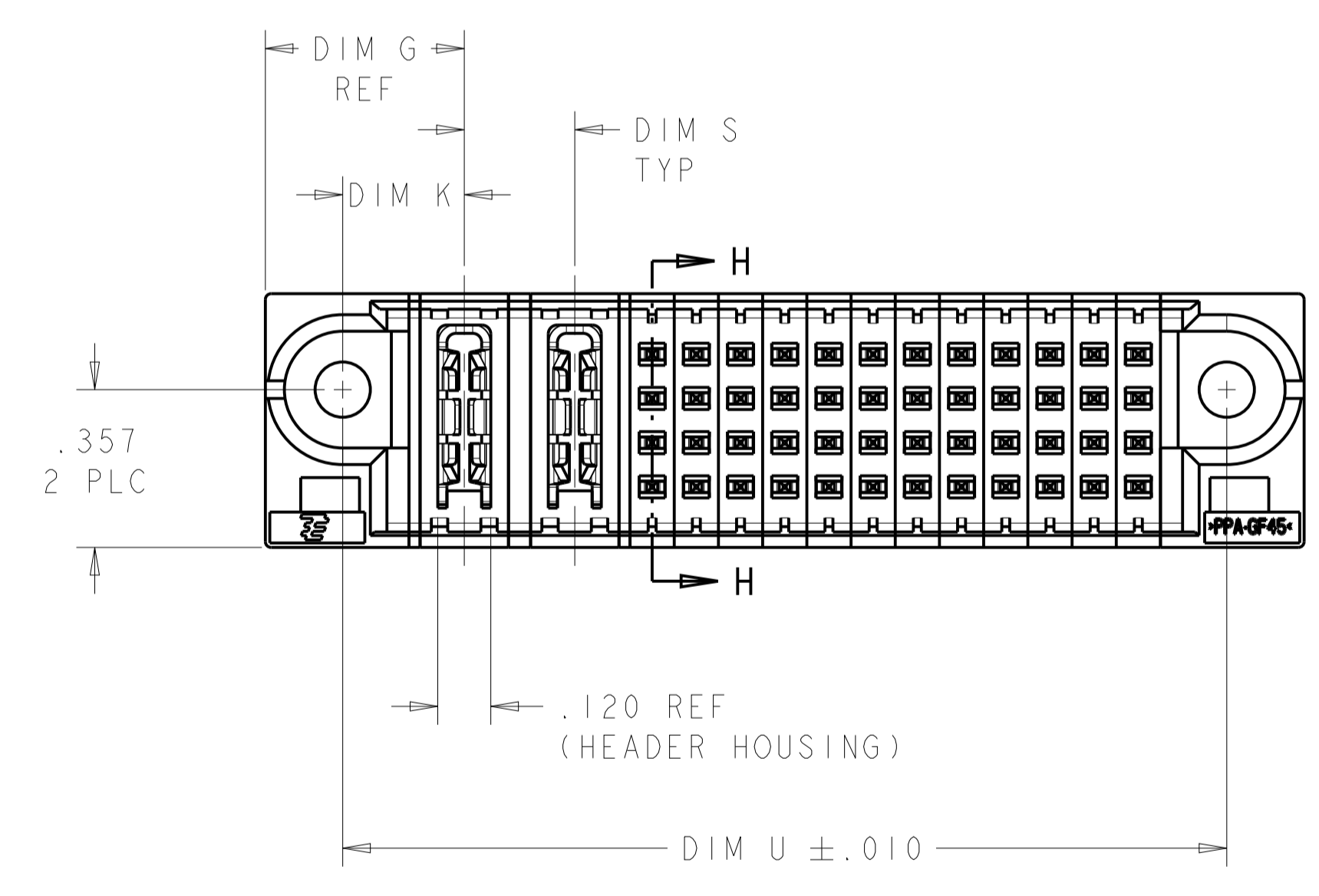
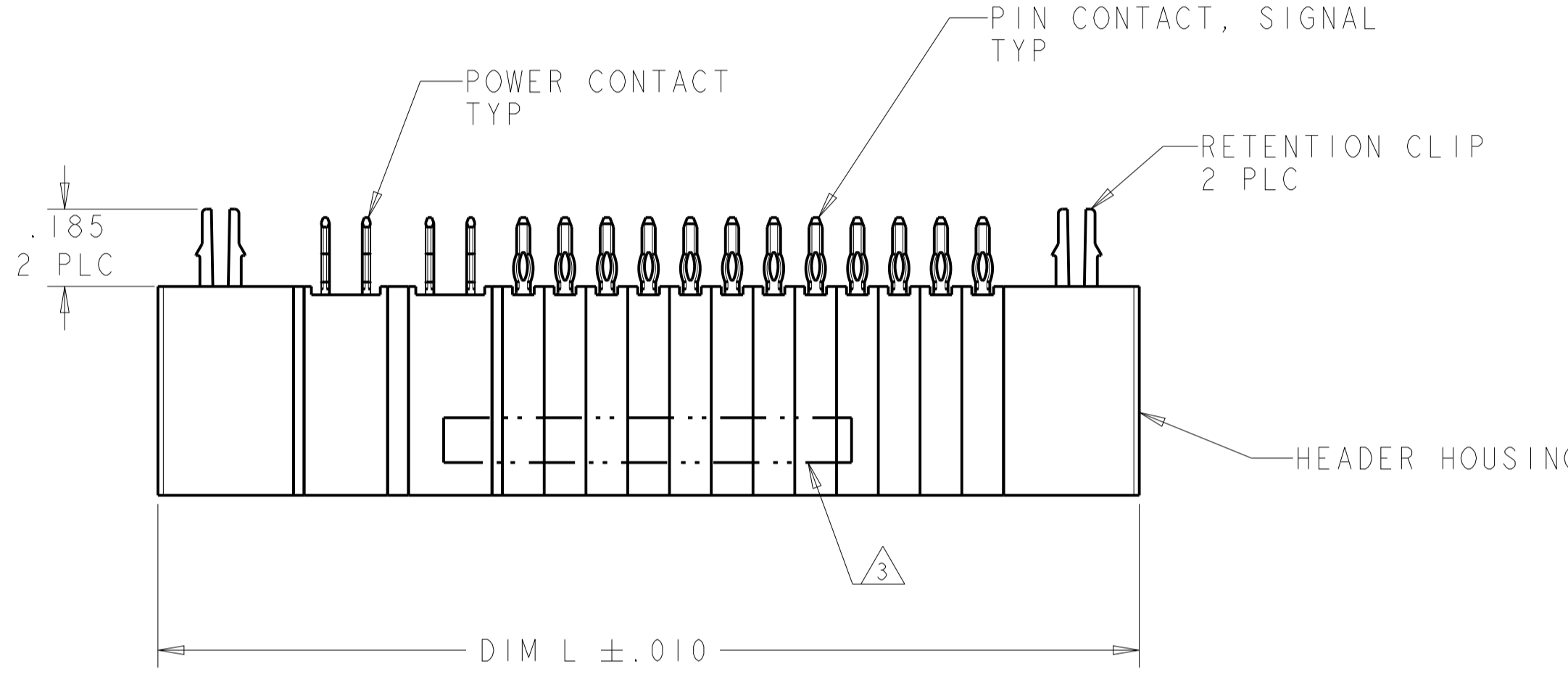
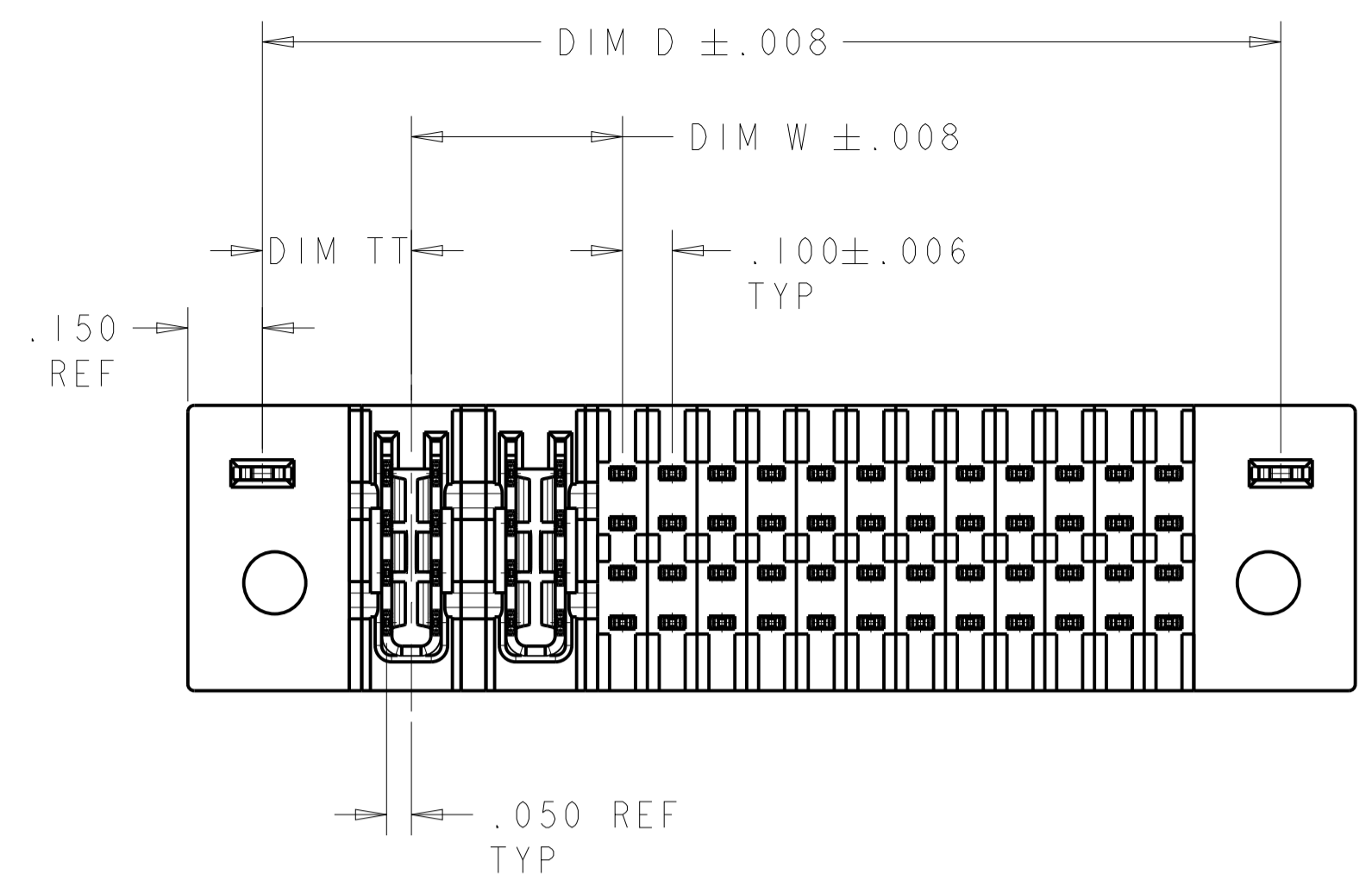


LOC	DIST	REVISIONS			
P	LTN	DESCRIPTION	DATE	DWN	APVD
A		RELEASED	22MAY2006	DRR	MP
A1		ADD DASH NUMBER -9	13SEP2011	LW	SZ



- 1. HEADER HOUSING: THERMO PLASTIC, BLACK, UL94 V-0; CONTACTS: COPPER ALLOY.
- 2. CONTACT PLATING: NOBLE METAL PLATING ON CONTACT FUNCTIONAL AREA OF POWER AND SIGNAL CONTACTS
RETENTION CLIP: .000115 MIN TIN.
- 3. "AMP", PART NUMBER AND DATE CODE MARKED IN THIS AREA. PARTS UNDER 2.50 LONG MAY BE MARKED ON BOTH SIDES.
- 4. DATUM AND BASIC DIMENSIONS ESTABLISHED BY CUSTOMER.
- 5. PCB - ALL HOLE DIAMETERS ARE FINISHED HOLE SIZES.
- 6. A SEATING TOOL IS REQUIRED TO SEAT THE HEADER ON THE P.C. BOARD. PLEASE REFER TO THE 114-13038 APPLICATION SPEC.
- 7. MECHANICAL CONNECTOR KEEP OUT ZONE.

DIM "TT"	DIM "W"	DIM "U"	DIM "S"	DIM "L"	DIM "K"	DIM "G"	DIM "D"	RETENTION CLIP	DESCRIPTION	PART NUMBER
.225	.375	1.050	.200	1.400	.275	.450	-	NO	2P + 12S	6450502-9
.300	.475	1.400	.250	1.750	.275	.450	1.450	YES	2P + 20S	6450502-8
.300	.225	1.050	-	1.400	.275	.450	1.100	YES	1P + 16S	6450502-6
-	.425	2.000	.250	2.350	.275	.450	-	NO	2P + 48S	6450502-5
-	.425	1.400	.250	1.750	.275	.450	-	NO	2P + 24S	6450502-4

THIS DRAWING IS A CONTROLLED DOCUMENT.

DIMENSIONS: INCH

TOLERANCES UNLESS OTHERWISE SPECIFIED:

0 PLC	±
1 PLC	±
2 PLC	±
3 PLC	±0.005
4 PLC	±

ANGLES: ±

MATERIAL:

FINISH:

THIS DRAWING IS A CONTROLLED DOCUMENT. DWN: D. RINGLER, 23APR2006; CHK: M. PERCHERRE, 23APR2006; APVD: M. PERCHERRE, 23APR2006.

NAME: VERTICAL HEADER ASSEMBLY, W/GUIDES, PRESS FIT, TYPE PS, MULTI-BEAM XL

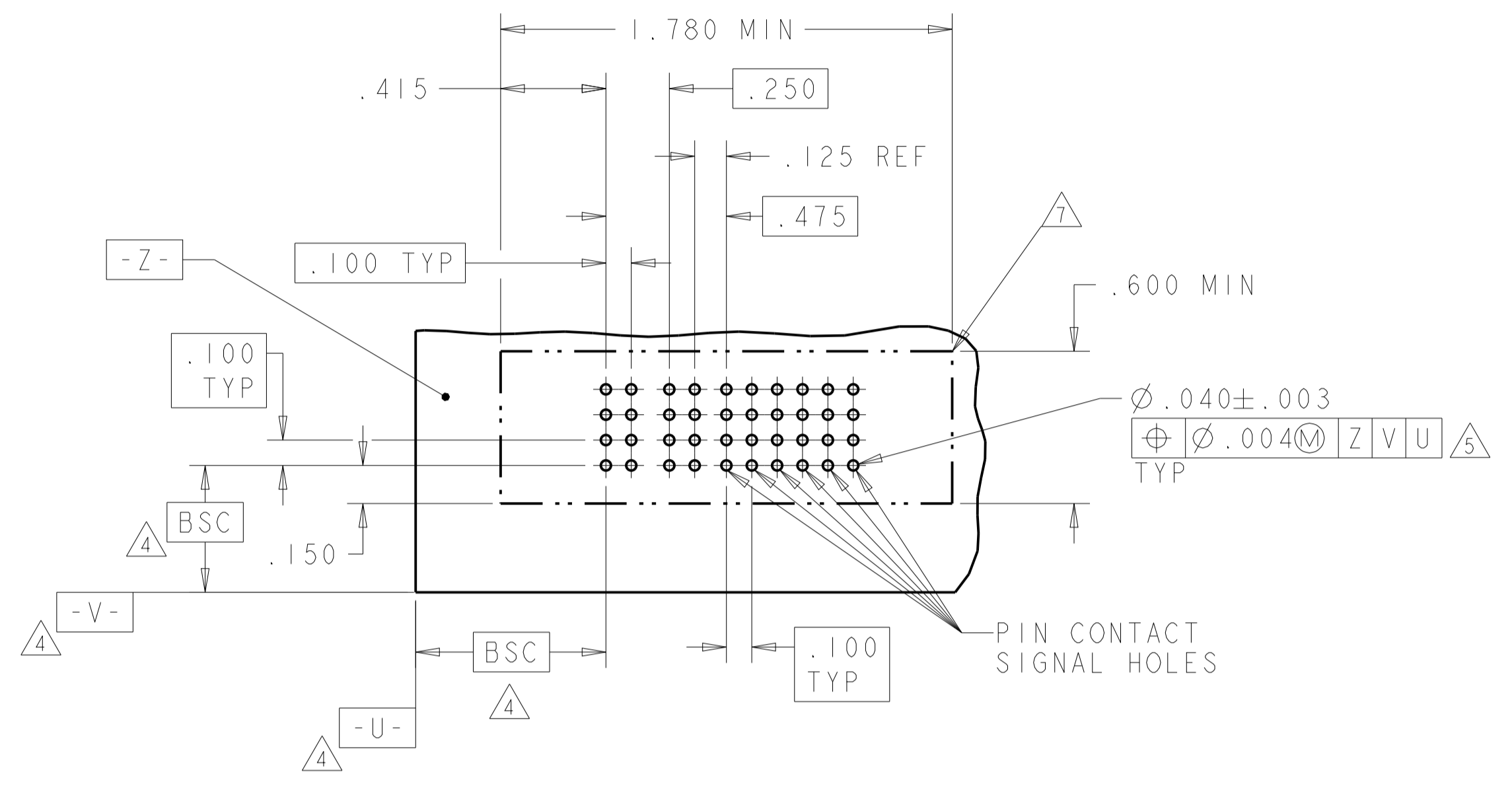
SIZE: A1, CAGE CODE: 114-13038, DRAWING NO: 108-1973, APPLICATION SPEC: 114-13038, WEIGHT: -

CUSTOMER DRAWING

SCALE: 3:1, SHEET: 1 OF 3, REV: A1

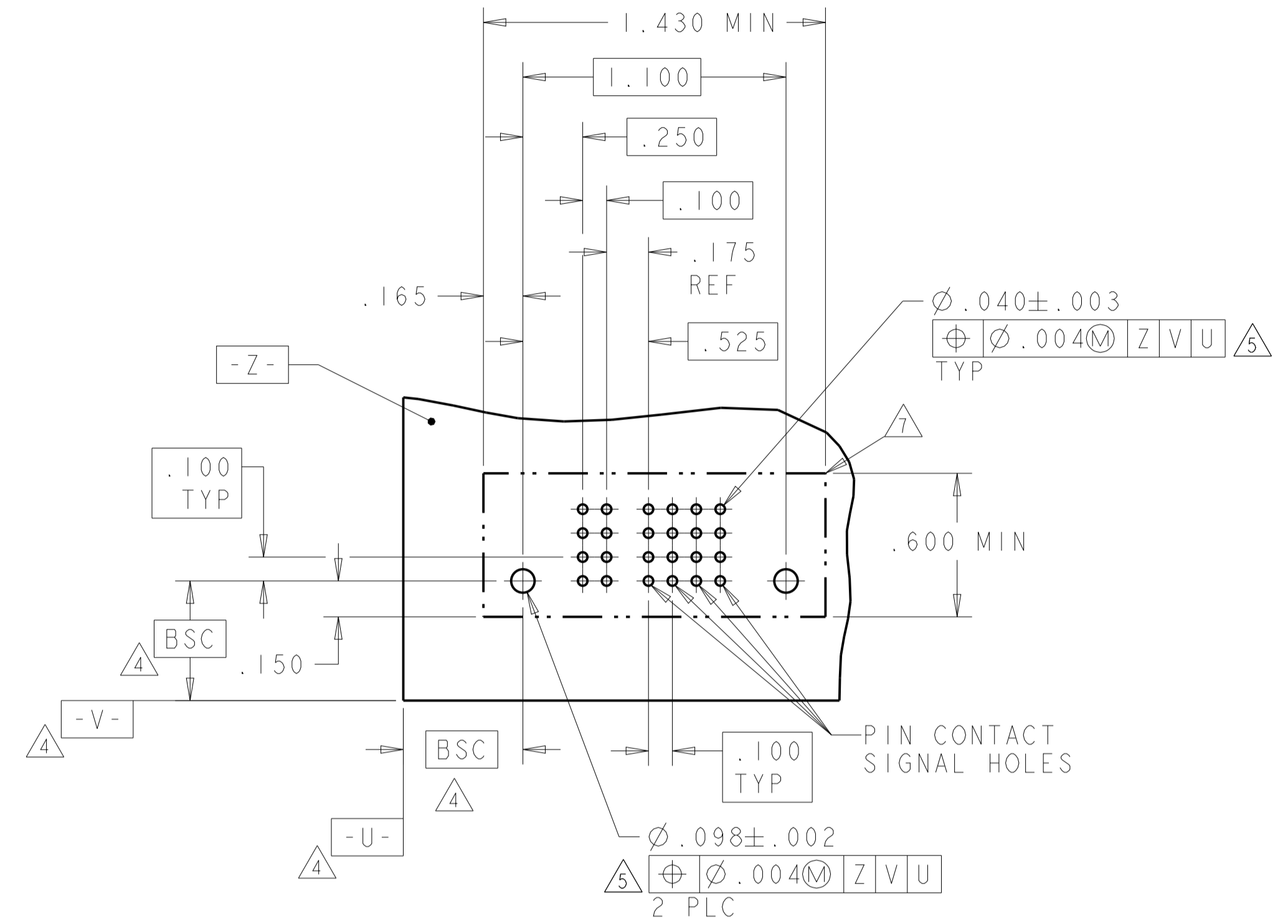
TE Connectivity

PART NUMBER	ROWS	POWER		SIGNAL						
		PI	P2	1	2	3	4	5	6	
6450502-4	D	VM	VM	EV	EV	EV	EV	EV	EV	
	C			EV	ES	EV	EV	EV	EV	
	B			EV	EV	EV	EV	EV	EV	
	A			EV	EV	EV	EV	EV	EV	
2P+24S										



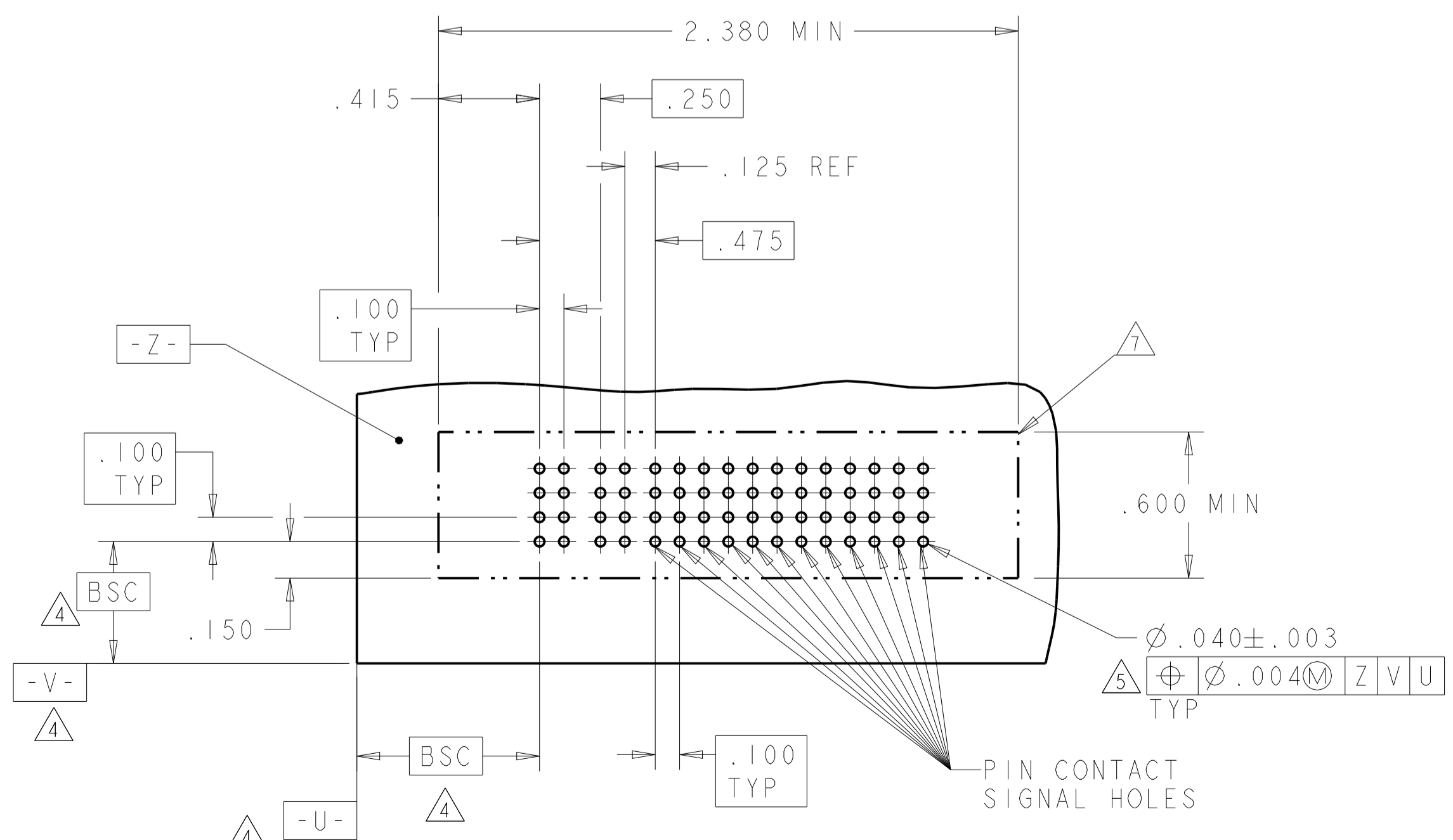
RECOMMENDED PCB LAYOUT 6450502-4
SCALE 2:1

PART NUMBER	ROWS	POWER		SIGNAL			
		PI	P2	1	2	3	4
6450502-6	D	VM	VM	EV	EV	EV	EV
	C			EV	EV	EV	EV
	B			EV	EV	EV	EV
	A			EV	EV	EV	EV
IP+16S		HD		HD			



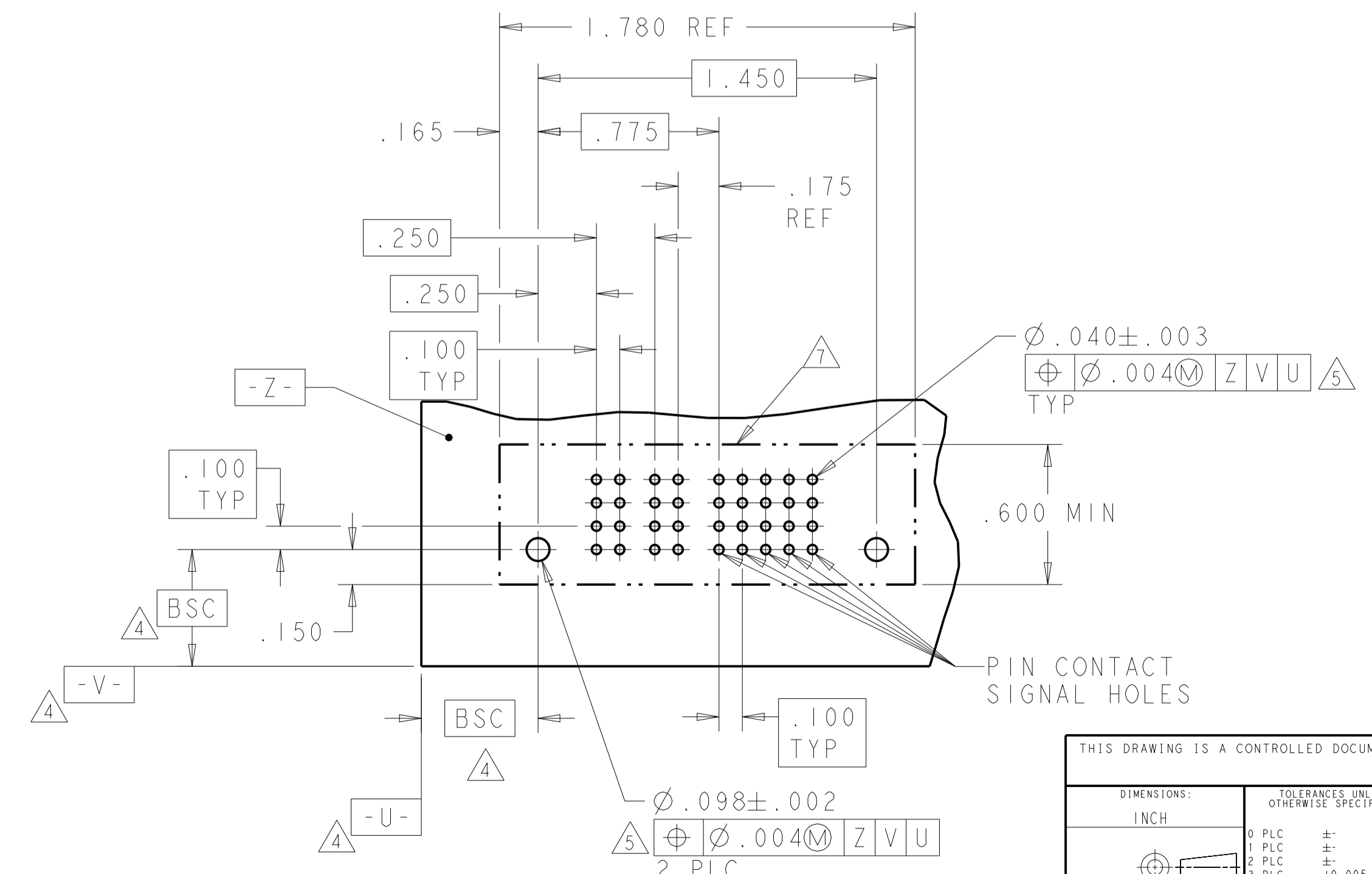
RECOMMENDED PCB LAYOUT 6450502-6
SCALE 2:1

PART NUMBER	ROWS	POWER		SIGNAL											
		PI	P2	1	2	3	4	5	6	7	8	9	10	11	12
6450502-5	D	VM	VM	EV	EV	EV	EV	EV	EV	EV	EV	EV	EV	EV	EV
	C			EV	EV	EV	EV	EV	EV	EV	EV	EV	EV	EV	
	B			EV	EV	EV	EV	EV	EV	EV	EV	EV	EV	EV	EV
	A			EV	EV	EV	EV	EV	EV	EV	EV	EV	EV	EV	EV
2P+48S															



RECOMMENDED PCB LAYOUT 6450502-5
SCALE 2:1

PART NUMBER	ROWS	POWER		SIGNAL				
		PI	P2	1	2	3	4	5
6450502-8	D	VM	VM	EV	EV	EV	EV	EV
	C			EV	EV	EV	EV	EV
	B			EV	EV	EV	EV	EV
	A			EV	EV	EV	EV	EV
2P+20S		HD		HD				



RECOMMENDED PCB LAYOUT 6450502-8
SCALE 2:1

LOC	DIST	REVISONS			
GP	00	REV	DATE	BY	APPV

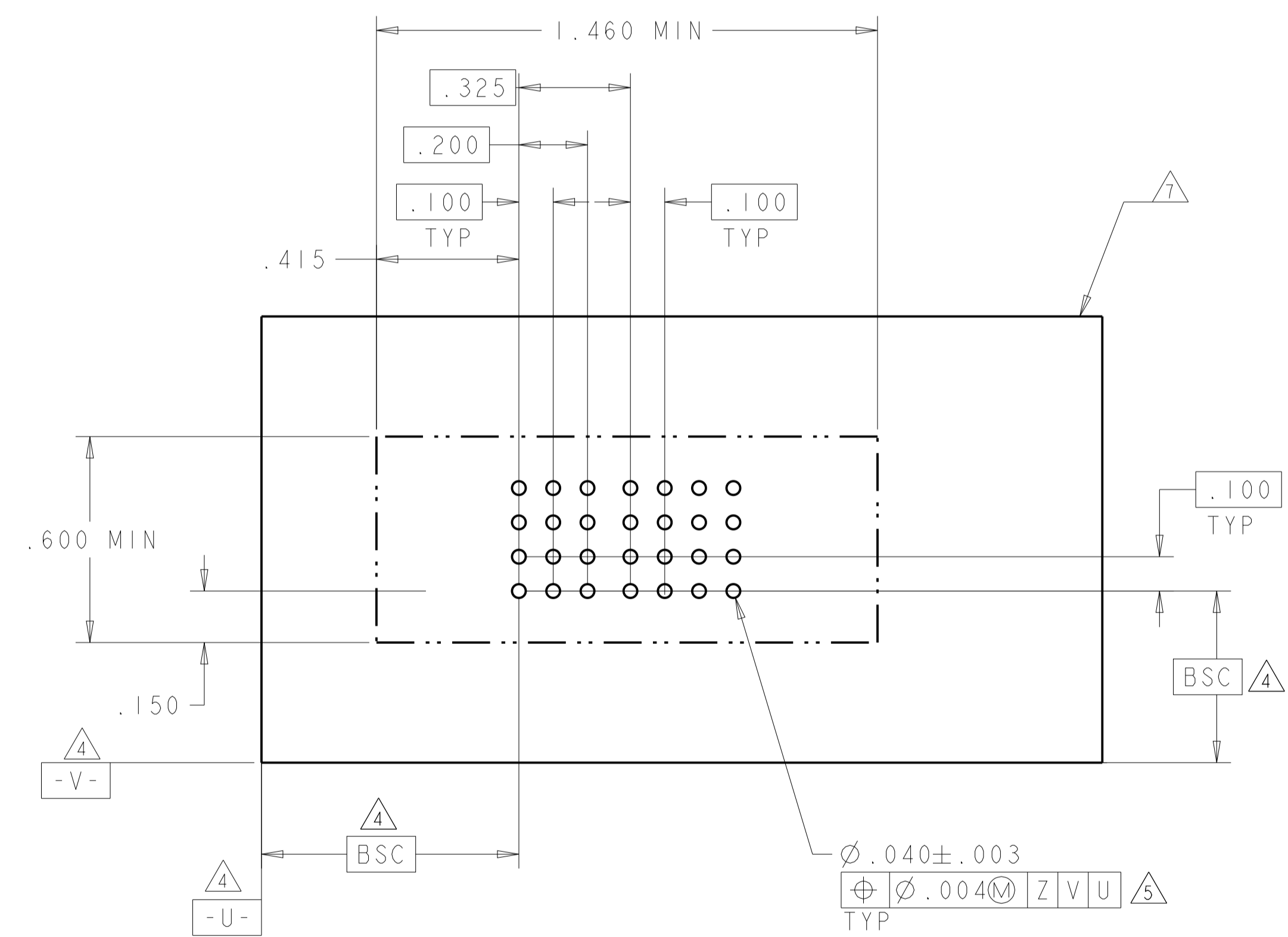
-	RETENTION CLIP	HD
MLBF	SIGNAL CONTACT	ES
STANDARD	SIGNAL CONTACT	EV
-	POWER CONTACT	VM
MATING SEQUENCE	DESCRIPTION	IDENTIFIER

THIS DRAWING IS A CONTROLLED DOCUMENT.		OWN: D. RINGLER 23APR2006
DIMENSIONS: INCH		CHK: M. PERCHERRE 23APR2006
TOLERANCES UNLESS OTHERWISE SPECIFIED:		APVD: M. PERCHERRE 23APR2006
0 PLC	±	PRODUCT SPEC
1 PLC	±	108-1973
2 PLC	±	APPLICATION SPEC
3 PLC	±0.005	114-13038
4 PLC	±	WEIGHT
ANGLES	±	114-13038
MATERIAL	FINISH	RESTRICTED TO

TE Connectivity	
NAME: VERTICAL HEADER ASSEMBLY, W/GUIDES, PRESS FIT, TYPE PS, MULTI-BEAM XL	
SIZE: A1	CAGE CODE: 100779
DRAWING NO: 6450502	SCALE: 3:1
SHEET: 2	OF: 3
REV: A1	

ASSY PART NUMBER	ROWS	SIGNAL			POWER	
		3	2	1	P2	P1
6450502-9	4	EV	EV	EV	VM	VM
	3	EV	EV	EV		
	2	EV	EV	EV		
	1	EV	EV	EV		
2P + 12S						

(A1)



(A1)

RECOMMENDED PCB LAYOUT 6450502-9

THIS DRAWING IS A CONTROLLED DOCUMENT.		OWN: D. RINGLER 23APR2006	TE Connectivity
DIMENSIONS: INCH		CHK: M. PERCHERRE 23APR2006	
TOLERANCES UNLESS OTHERWISE SPECIFIED:		APVD: M. PERCHERRE 23APR2006	
0 PLC ± 1 PLC ± 2 PLC ± 3 PLC ±0.005 4 PLC ± ANGLES ±		PRODUCT SPEC: 108-1973 APPLICATION SPEC: 114-13038 WEIGHT: -	
MATERIAL: -		FINISH: -	NAME: VERTICAL HEADER ASSEMBLY, W/GUIDES, PRESS FIT, TYPE PS, MULTI-BEAM XL SIZE: A1 CAGE CODE: 100779 DRAWING NO: 6450502 RESTRICTED TO: - CUSTOMER DRAWING
SCALE: 3:1			SHEET: 3 OF 3 REV: A1