

Microphone coupon board based on the MP34DT04 digital MEMS microphone

Data brief



Features

- 4x MP34DT04 top port digital MEMS microphones
- Daughterboard to be used with the STEVAL-MKI126Vx kit and X-NUCLEO-CCA02M1, an STM32 Nucleo expansion board
- Vsupply from 1.6 to 3.6 V
- 120 dB SPL acoustic overload point
- Omnidirectional sensitivity
- PDM single-bit output
- 64 dB of SNR
- -26 dB FS sensitivity
- RoHS compliant

Description

The STEVAL-MKI129V4 is a daughterboard designed to be used in conjunction with the STEVAL-MKI126Vx (Smart Voice) kit, containing four MP34DT04 digital MEMS microphones.

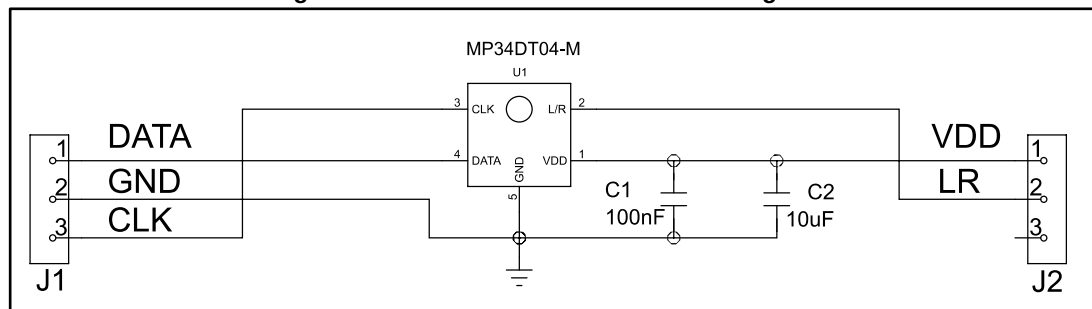
The coupon concept allows easy performance testing of the ST MEMS microphones.

When plugged into the X-NUCLEO-CCA02M1 expansion board, it is able to export the four additional PDM for any need (NBW algorithms detection).

When plugged into the Smart Voice board, it is possible to detach the single PCB hosting each one.

1 Schematic diagram

Figure 1: STEVAL-MKI129V4 schematic diagram



2 Revision history

Table 1: Document revision history

Date	Version	Changes
06-Oct-2016	1	Initial release
14-Oct-2016	2	Updated board photo on the cover page

IMPORTANT NOTICE – PLEASE READ CAREFULLY

STMicroelectronics NV and its subsidiaries (“ST”) reserve the right to make changes, corrections, enhancements, modifications, and improvements to ST products and/or to this document at any time without notice. Purchasers should obtain the latest relevant information on ST products before placing orders. ST products are sold pursuant to ST’s terms and conditions of sale in place at the time of order acknowledgement.

Purchasers are solely responsible for the choice, selection, and use of ST products and ST assumes no liability for application assistance or the design of Purchasers’ products.

No license, express or implied, to any intellectual property right is granted by ST herein.

Resale of ST products with provisions different from the information set forth herein shall void any warranty granted by ST for such product.

ST and the ST logo are trademarks of ST. All other product or service names are the property of their respective owners.

Information in this document supersedes and replaces information previously supplied in any prior versions of this document.

© 2016 STMicroelectronics – All rights reserved