

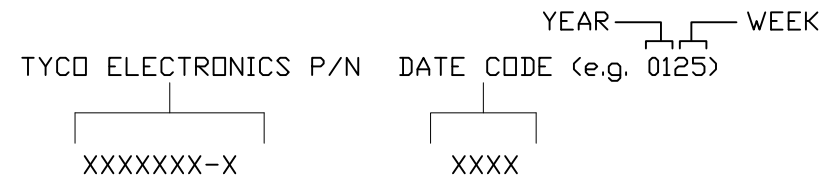
THIS DRAWING IS UNPUBLISHED. RELEASED FOR PUBLICATION
 © COPYRIGHT - BY TYCO ELECTRONICS CORPORATION. ALL RIGHTS RESERVED.

LOC	DIST	REVISIONS					
GP	00	P	LTR	DESCRIPTION	DATE	DWN	APVD
			B	REV PER ECO-08-016284	11JULY08	RG	PD

- PART NUMBER CHANGES AND OR DESIGN CHANGES AFFECTING ITEM INTERCHANGEABILITY REQUIRE PRIOR TYCO ELECTRONICS APPROVAL AND AUTHORIZATION BY REVISION TO THIS DRAWING.
- MATERIALS:
 INSULATORS: THERMOPLASTIC, GLASS REINFORCED, COLOR BLACK. UL94V-0 FLAMMABILITY RATED.
 SIGNAL PIN SOLDER CONTACTS: BRASS ALLOY.
 POWER BLADE CONTACTS: COPPER ALLOY.
- FINISHES:
 PLATING: CONTACTS: SELECTIVE GOLD 0.76µm MIN THK. OVER NICKEL 1.27µm MIN THK.
 TERMINALS: TIN PLATE 3.05µm MIN THK. OVER NICKEL 1.27µm MIN THK.

CONNECTOR	# TAIL	POSITION	PIN/BLADE SIZE	MAX. CURRENT PER CONTACT UL	MAX. CURRENT PER POSITION CUR	CONTACT PITCH	VOLTAGE RATING*
PIN	SIGNAL	10-33	.064 SQ	2 AMPERES	1 AMPERE	2.50 [.098]	60 VOLTS
	#10	2-3, 5-6 8-9	1.25 X 7.00	60 AMPERES	40 AMPERES	6.50 [.256]	125 VOLTS
	#10	34-35, 35-36	1.25 X 7.00	45 AMPERES	30 AMPERES		250 VOLTS
	#10	1-2, 3-4, 4-5 6-7, 7-8	1.25 X 7.00	45 AMPERES	28 AMPERES	4.50 [.177]	COMMON

△ ITEMS PROVIDED TO THIS SPECIFICATION TO BE PERMANENTLY IDENTIFIED PER THE FOLLOWING IDENTIFIER LABEL:



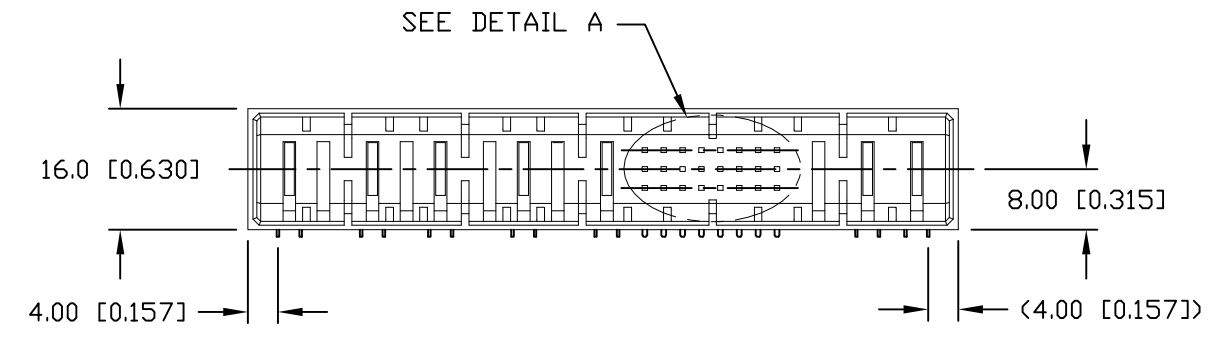
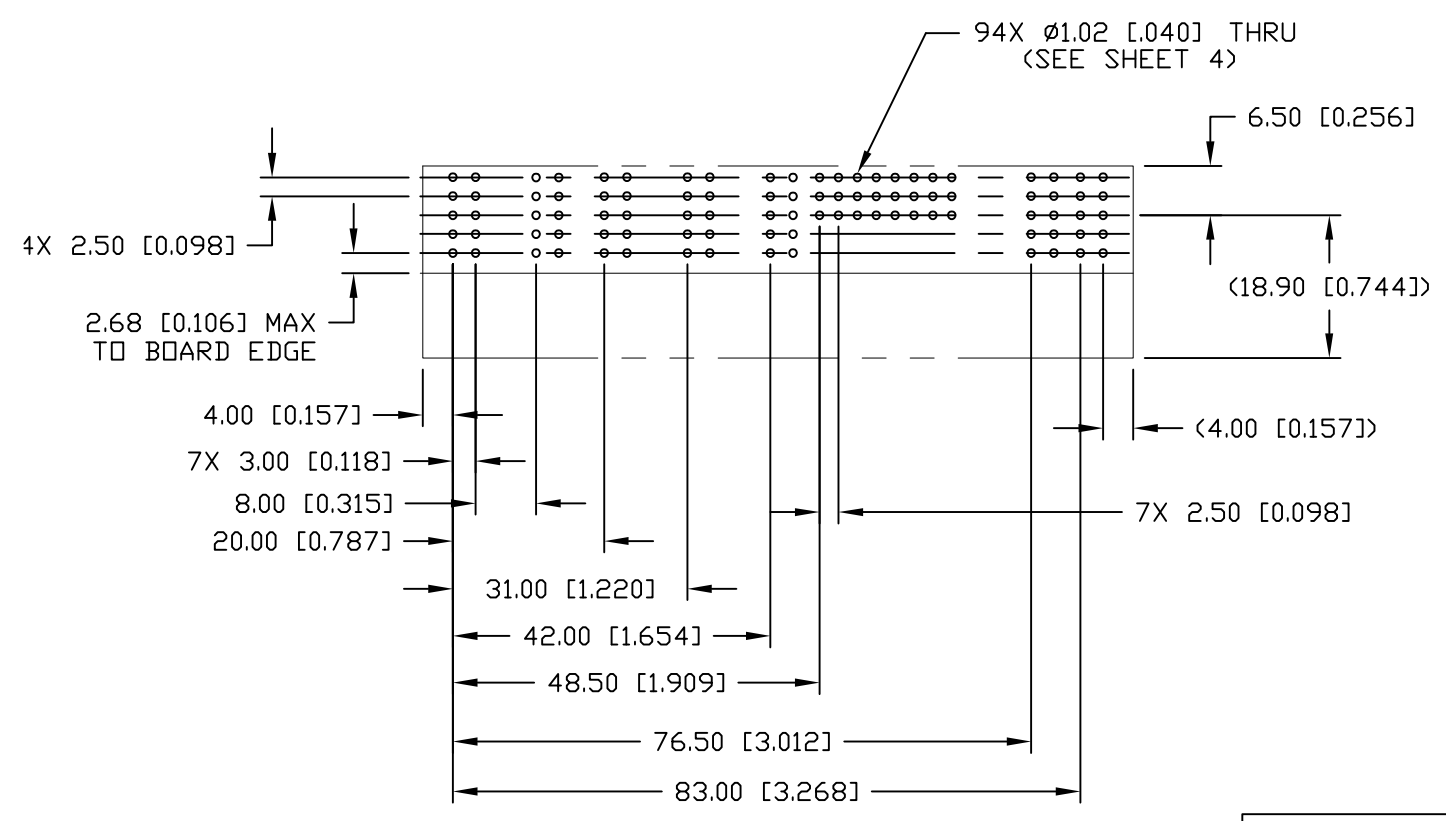
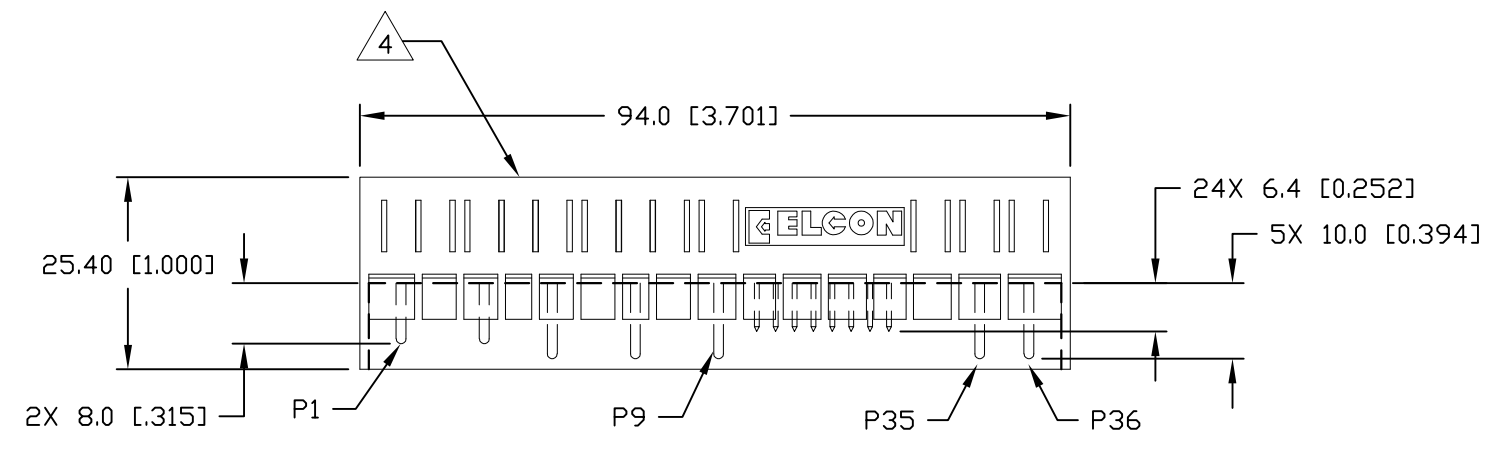
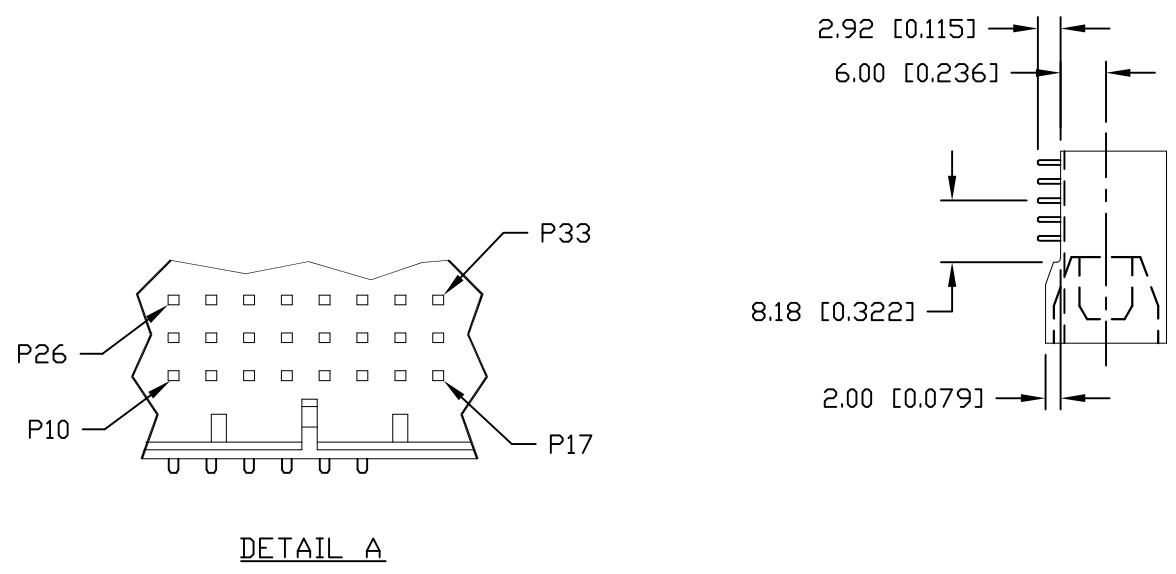
AS SHOWN	6643853-1
DESCRIPTION	PART NUMBER

THIS DRAWING IS A CONTROLLED DOCUMENT.		DWN	R.GRZYBOWSKI	19MAY2006	Tyco Electronics Corporation Harrisburg, PA 17105-3608		
DIMENSIONS: mm		CHK	S.FLICKINGER	19MAY06	NAME		
TOLERANCES UNLESS OTHERWISE SPECIFIED:		APVD	S.FLICKINGER	19MAY06	CONNECTOR ASSEMBLY, PIN RIGHT ANGLE WITH SOLDER TAILS		
0 PLC ± -		PRODUCT SPEC		-			
1 PLC ± .5 [.020]		APPLICATION SPEC		-			
2 PLC ± .25 [.010]		SIZE	A3	CAGE CODE	00779	DRAWING NO	C-6643853
3 PLC ± -		WEIGHT		-			
4 PLC ± -		RESTRICTED TO					
ANGLES ± .5		-					
MATERIAL		CUSTOMER DRAWING					
FINISH		-					
		SCALE		1:1		SHEET 1 OF 3	
						REV B	

ELCON MINIPAK

THIS DRAWING IS UNPUBLISHED. RELEASED FOR PUBLICATION
 © COPYRIGHT - BY TYCO ELECTRONICS CORPORATION. ALL RIGHTS RESERVED.

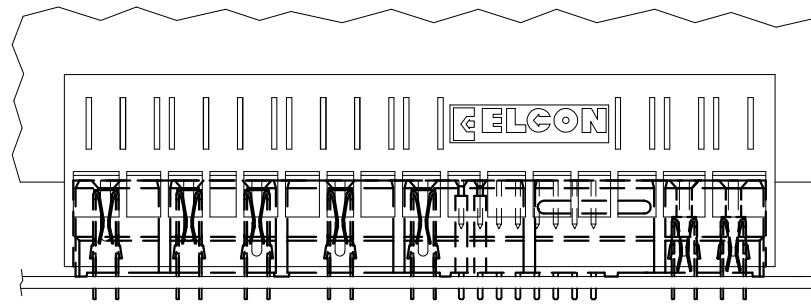
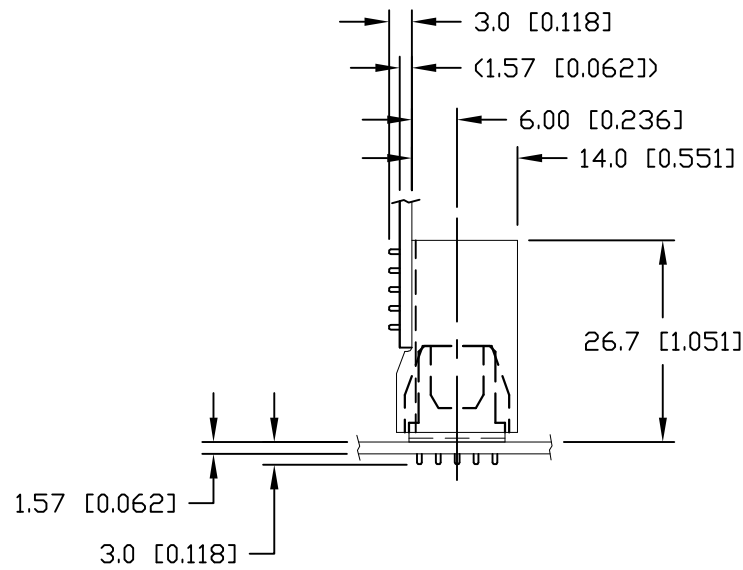
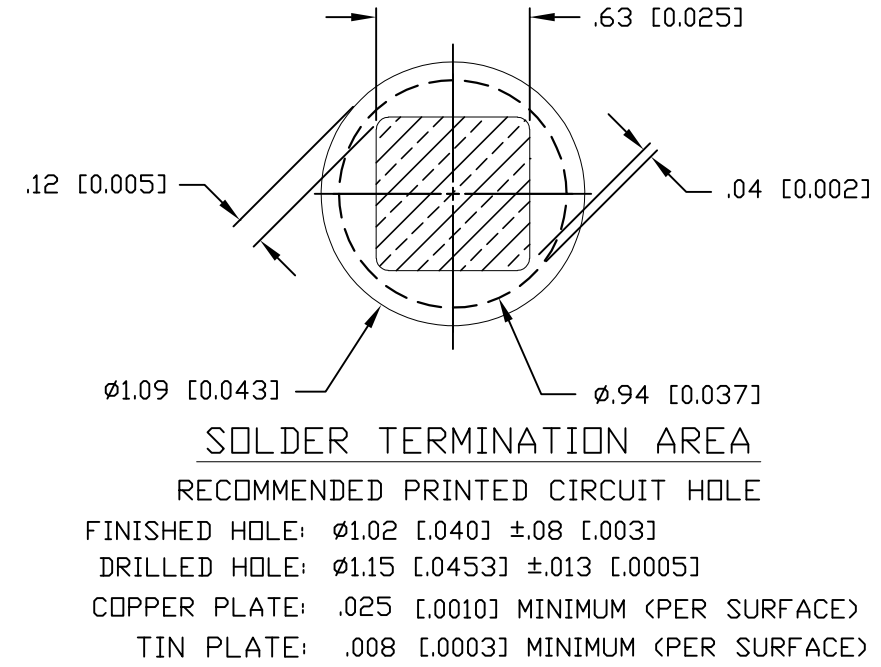
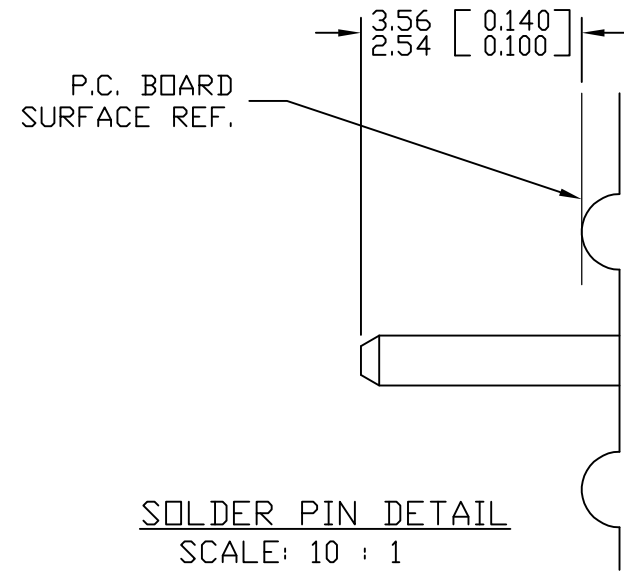
LOC	DIST	REVISIONS			
P	LTR	DESCRIPTION	DATE	DWN	APVD
GP	00	SEE SHEET 1	-	-	-



THIS DRAWING IS A CONTROLLED DOCUMENT.		DWN R.GRZYBOWSKI 19MAY2006	Tyco Electronics Corporation Harrisburg, PA 17105-3608	
DIMENSIONS: mm		CHK S.FLICKINGER 19MAY06	NAME	
TOLERANCES UNLESS OTHERWISE SPECIFIED:		APVD S.FLICKINGER 19MAY06	CONNECTOR ASSEMBLY, PIN RIGHT ANGLE WITH SOLDER TAILS	
MATERIAL		PRODUCT SPEC	SIZE	RESTRICTED TO
FINISH		APPLICATION SPEC	CAGE CODE	
		WEIGHT	DRAWING NO	
		A3 00779 C-6643853		
		CUSTOMER DRAWING		SCALE 1:1 SHEET 2 OF 3 REV B

THIS DRAWING IS UNPUBLISHED. RELEASED FOR PUBLICATION
 © COPYRIGHT BY TYCO ELECTRONICS CORPORATION. ALL RIGHTS RESERVED.

LOC	DIST	REVISIONS			
P	LTR	DESCRIPTION	DATE	DWN	APVD
GP	00	SEE SHEET 1	-	-	-



THIS DRAWING IS A CONTROLLED DOCUMENT.		DWN R.GRZYBOWSKI 19MAY2006	Tyco Electronics Corporation Harrisburg, PA 17105-3608	
DIMENSIONS: mm		CHK S.FLICKINGER 19MAY06	NAME CONNECTOR ASSEMBLY, PIN RIGHT ANGLE WITH SOLDER TAILS	
TOLERANCES UNLESS OTHERWISE SPECIFIED:		APVD S.FLICKINGER 19MAY06	PRODUCT SPEC -	
<ul style="list-style-type: none"> 0 PLC ± - 1 PLC ± .5 [0.020] 2 PLC ± .25 [.010] 3 PLC ± - 4 PLC ± - ANGLES ± .5 		APPLICATION SPEC -		
MATERIAL -	FINISH -	WEIGHT -	SIZE A3	RESTRICTED TO -
CUSTOMER DRAWING		CAGE CODE 00779	DRAWING NO G-6643853	SCALE 1:1
		SHEET 3 OF 3		REV B