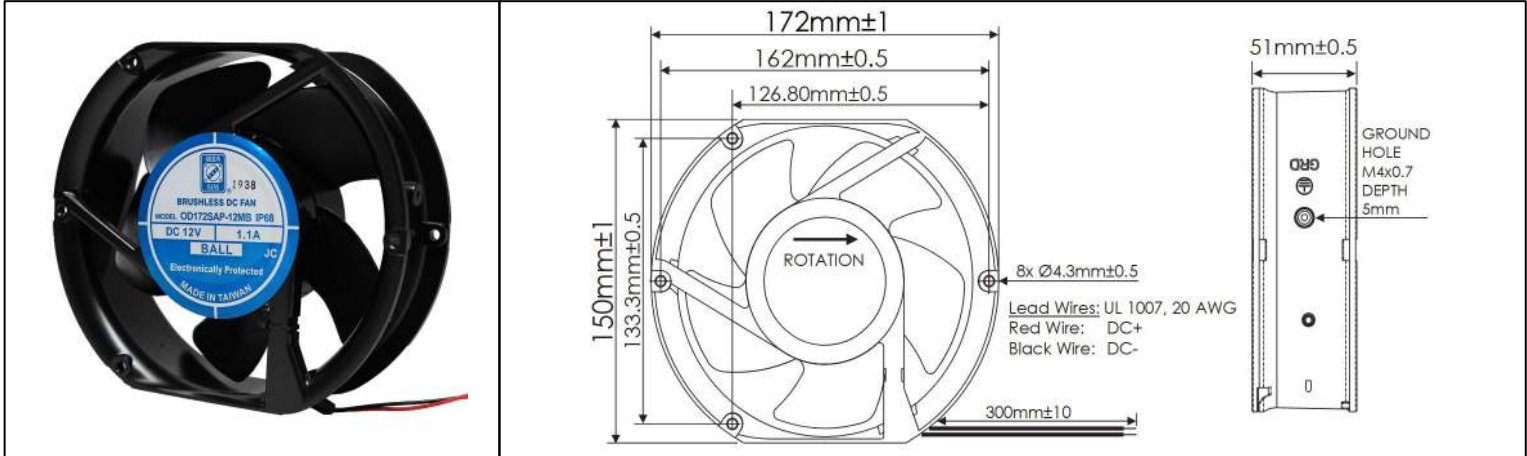


OD172SAP IP Rated Series



DC Fans - 12, 24, 48V
172mm x 150mm x 51mm
(6.7" x 5.9" x 2.0")



Frame	Die Cast Aluminum, Black Finish	Operating Temperature -15°C ~ +65°C Storage Temperature -25°C ~ +80°C Life Expectancy 90,000 Hours (L10 at 35°C) Available Options Tachometer Output PWM Speed Control Input Thermal Speed Control 0-10V Speed Control Alarm Output Weight: 1.8 lbs.	
Impeller	PBT, UL94 V-0 Plastic		
Connection	2x Lead Wires, 20 AWG		
Motor	Brushless DC, Auto Cutoff, Auto Restart, Polarity Protected, Electronically Protected, IP68 or IP69K		
Bearing System	Ball Bearings		
Dielectric Strength	500VDC/min, <1mA		
Insulation Resistance	≥10MΩ @ 500V DC		

Part Number	Rated Voltage (Volts DC)	Voltage Range (Volts DC)	Input Power (Watts)	Rated Current (Amps)	Rated Speed (RPM)	Max Airflow (CFM)	Noise Level (dBA)	Max Static Pressure ("H ₂ O)
OD172SAP-12MBIP***	12	10 ~ 13.8	13.20	1.10	2500	180	42	0.51
OD172SAP-12LBIP***	12	10 ~ 13.8	5.50	0.45	1600	125	32	0.35
OD172SAP-24HHBIP***	24	22 ~ 26.4	50.40	2.10	3900	300	57	0.98
OD172SAP-24HBIP***	24	22 ~ 26.4	24.00	0.97	3300	235	52	0.79
OD172SAP-24MBIP***	24	22 ~ 26.4	13.00	0.52	2500	180	42	0.51
OD172SAP-24LBIP***	24	22 ~ 26.4	5.00	0.20	1600	125	32	0.35
OD172SAP-48HHBIP***	48	40 ~ 52.0	49.40	1.03	3900	300	57	0.98
OD172SAP-48HBIP***	48	40 ~ 52.0	23.50	0.48	3300	235	52	0.79
OD172SAP-48MBIP***	48	40 ~ 52.0	14.50	0.30	2500	180	42	0.51
OD172SAP-48LBIP***	48	40 ~ 52.0	5.80	0.12	1600	125	32	0.35

*** Insert "68" for IP68 Rating, or "69K" for IP69K Rating